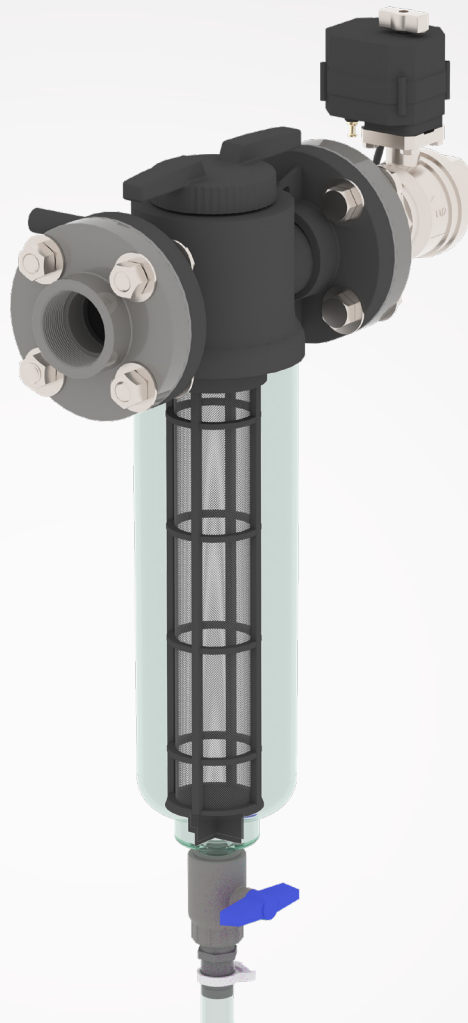


INSTRUCTIONS  
FOR USE

# A-dec® WS2

## WATER CONTROL VALVE



a dec®

## Copyright

© 2024 A-dec, Inc. All rights reserved.

A-dec, Inc. makes no warranty of any kind with regard to this material, including, but not limited to, the implied warranties of merchantability and fitness for a particular purpose. A-dec, Inc. shall not be held liable for any errors contained herein or any consequential or other damages concerning the furnishing, performance or use of this material. The information in this document is subject to change without notice. If you find any problems in the documentation, please report them to us in writing. A-dec, Inc. does not warrant that this document is error-free.

No part of this document may be copied, reproduced, altered, or transmitted in any form or by any means, electronic or mechanical, including photocopying, recording, or by any information storage and retrieval system, without prior written permission from A-dec, Inc.

## Intellectual Property Rights

None of the trademarks, trade names, or proprietary symbols and icons in this document may be reproduced, copied, or manipulated in any manner without the express, written approval of the trademark owner.

A-dec, A-dec+, the A-dec design logo, and the trademarks listed at [a-dec.com/legal/trademarks](https://www.a-dec.com/legal/trademarks) are A-dec trademarks or registered trademarks in the United States and other countries. Certain touch control symbols and icons are proprietary to A-dec, Inc.

## Regulatory Information and Warranty

For required regulatory information and the A-dec warranty, see the *Regulatory Information, Specifications, and Warranty* document (p/n 86.0221.00) available in the Resource Center at [www.a-dec.com](https://www.a-dec.com).



For quick access to this document online, scan, tap, or click this QR code, which points to: [a-dec.com/regulatory-guide](https://www.a-dec.com/regulatory-guide).

## Product Service

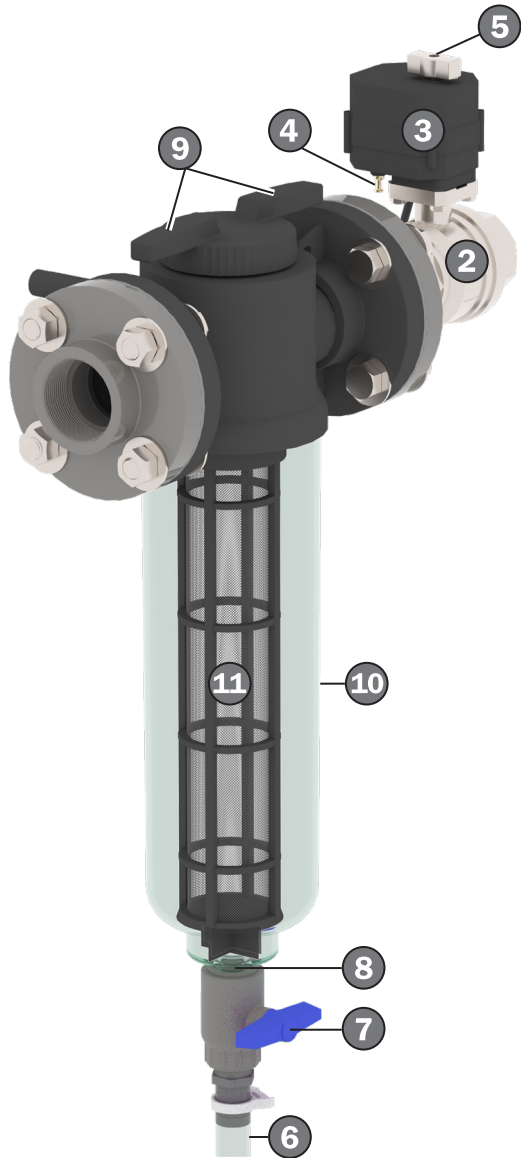
Product service is available through your local authorized A-dec dealer. For service information, or to locate an authorized dealer, contact A-dec at 1.800.547.1883 in the USA and Canada or +1.503.538.7478 worldwide, or visit [www.a-dec.com](https://www.a-dec.com).

## Product Models and Versions Covered in This Document\*

Models	Versions	Description
WS2	A	Water Control Valve

\* Equipment shown in this document may include optional features or accessories. Some products, versions, and options in this document may not be available in certain regions.

# Content Map

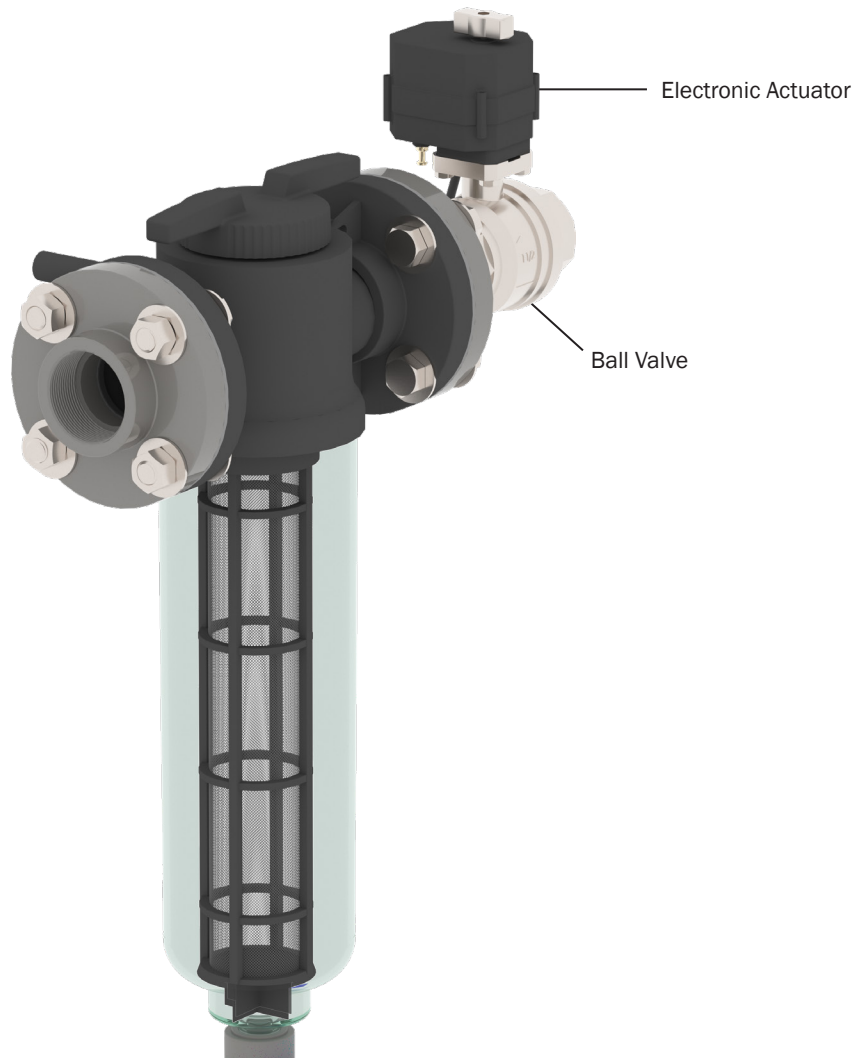


## Features/Topics

1	LED Push-Button Controls .....	2
2	Water Control Valve.....	2
3	Electronic Actuator.....	2
4	Manual Override Button .....	3
5	Manual Control Knob.....	3
6	Filter Flush Tubing.....	4
7	Filter Flush Ball Valve.....	5
8	Filter Flush Exit.....	5
9	Filter Control Handles .....	5
10	Filter Canister .....	7
11	Filter Element .....	8
	Filter Maintenance Parts.....	10
	Specifications.....	11

# Operate/Adjust

## Operate the Water Control Valve



### Function of the Water Control Valve

The water control valve is an electronically actuated ball valve controlled via a push-button control. Closing the valve when the office is not occupied prevents flooding if downstream equipment fails. In the event of power loss, the valve will automatically close.

### Open or Close the Water Control Valve

If you have optional LED push-button controls, push the water button once to open or close the water control valve. Blue LED lighting indicates that the valve is open.

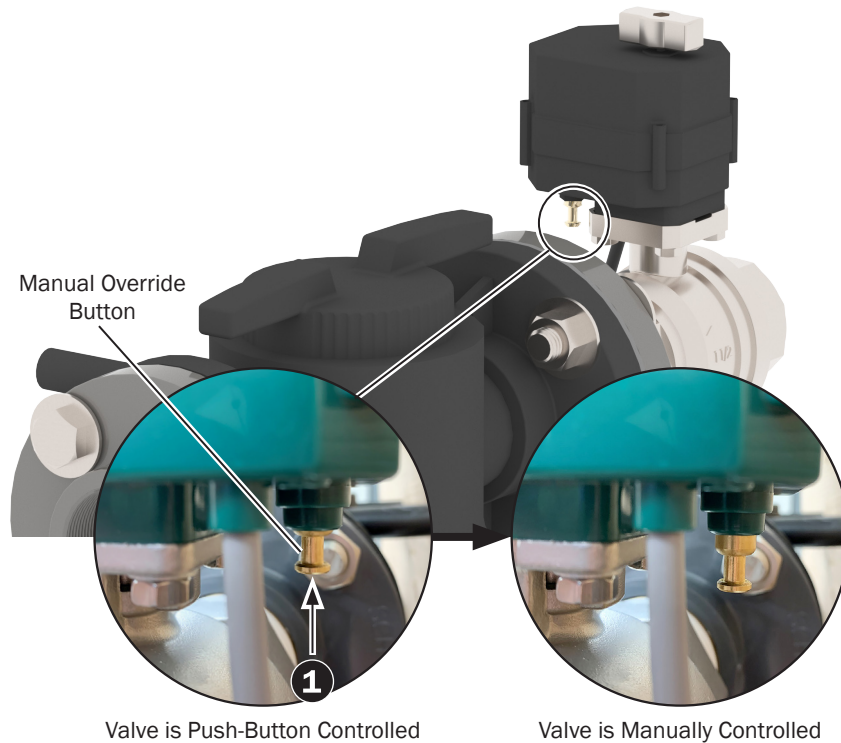


**NOTE** If the water control valve state does not change when the push-button is pressed, check the position of the manual override button on the water control valve. See page 3.



Water Push-Button

## Operate the Water Control Valve *(continued)*



### Manual Override of the Water Control Valve

In the event of a power outage, the water control valve will automatically close. To open it in this situation, follow the instructions below for a manual override.

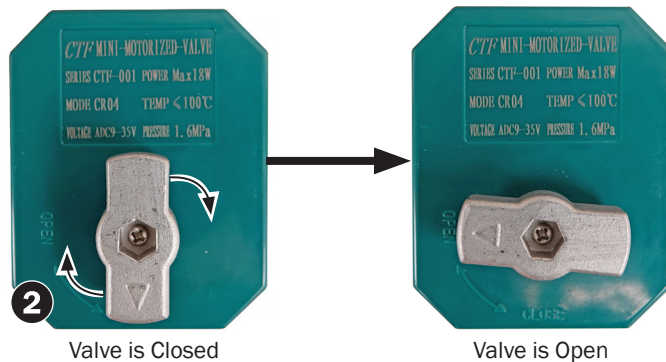
1. Push in the override button located at the rear of the electronic actuator.
2. Turn the knob on the top of the electronic actuator to OPEN.
3. To close the valve, turn the knob back to CLOSE and pull the manual override button out.



**CAUTION** Ensure that the override button is pulled out when using push-button controls. If the override button is pushed in, the push-button control cannot operate the valve, which may leave the office unprotected from flooding.

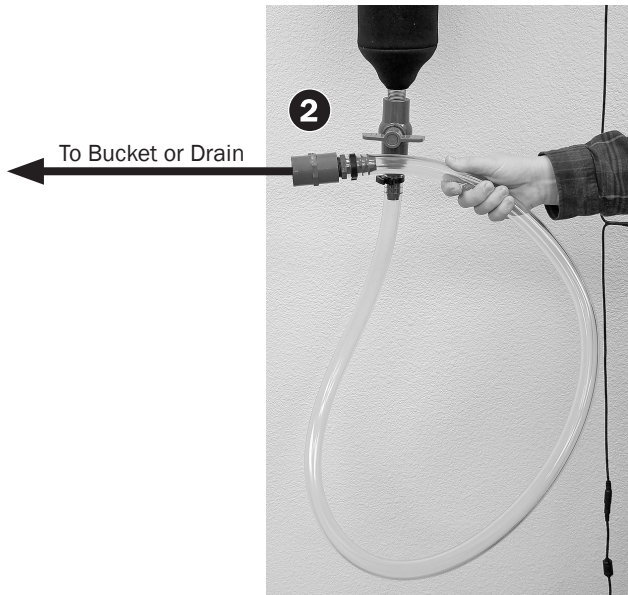


**NOTE** If you manually open or shut the water control valve when it is powered, the valve will automatically revert to the state determined by the push-button control.



# Clean/Maintain

## Flush the Filter Element



### Frequency of Filter Element Flushing

Particles and debris are removed from water as it flows through the filter element. The filter needs to be cleaned periodically in order to optimize filter performance, reduce system pressure loss, and prolong the life of the filter.

Visually inspect the filter element for material build-up. When the filter appears to be full of debris, flush the filter.

Flushing the filter reverses the direction of water flow through the filter element and washes debris out the flush exit at the base of the canister.

### Filter Element Flushing Instructions

1. Use the optional water LED push-button control to open the water control valve. The valve is open when the push-button is illuminated.
2. Direct the filter flush tubing to a bucket or drain.

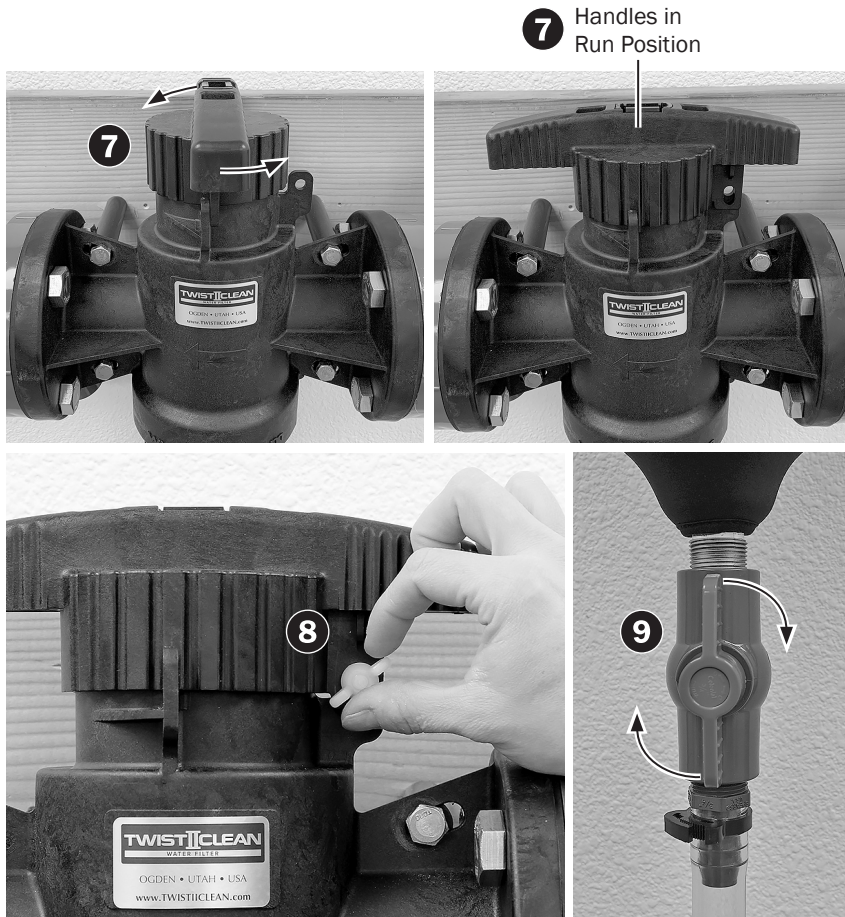
## Flush the Filter Element *(continued)*



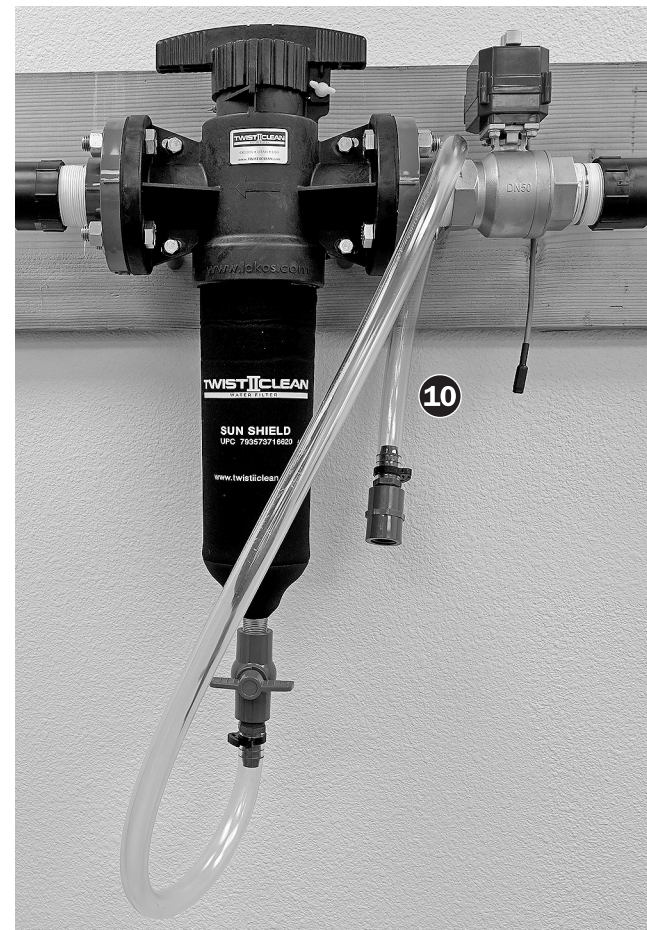
3. Open the ball valve at the flush exit by turning the handles counterclockwise.
4. Remove the safety screw and nut from the right side of the filter head.
5. Twist the filter handles clockwise to put the filter in flushing mode with the handles at 90° to the plumbing. The filter element will lift within the canister and water will flow through the flush exit at the bottom of the canister.
6. Flush the filter element until accumulated debris is removed from the element. If flushing the filter element does not completely remove debris, continue with “Manually Clean the Filter Element” on page 7. Otherwise, continue with step 7 on page 6.



## Flush the Filter Element *(continued)*



7. Twist the filter handles counterclockwise to return the filter to run mode with the handles parallel to the plumbing.
8. Reinstall the safety nut and screw.
9. Close the ball valve at the flush exit by turning the handles clockwise.
10. Hang up the filter flush tubing by draping it over the plumbing.





## Manually Clean the Filter Element



### Frequency of Manual Cleaning

If flushing the water filter element does not completely remove debris, manual cleaning is required.

### Remove and Clean the Filter Element

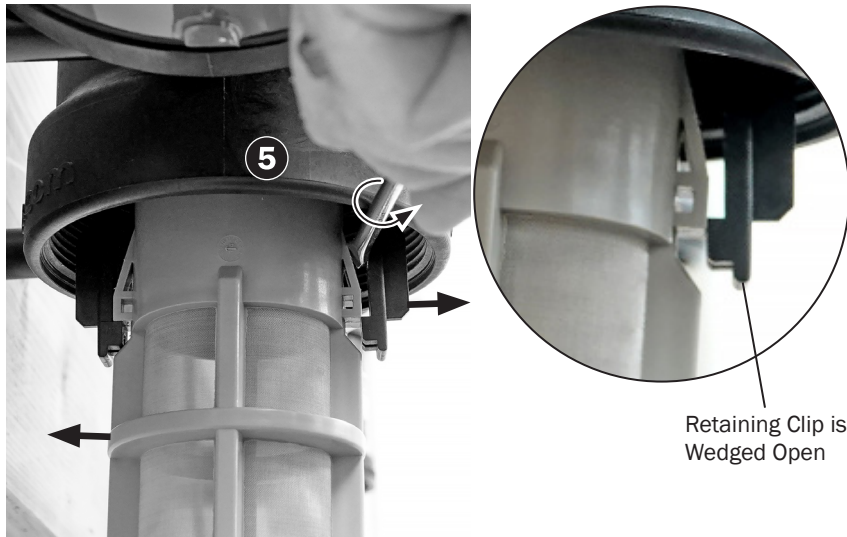
1. Complete steps 1-6 of "Flush the Filter Element" on page 4.
2. Use the water LED push-button control to close the water control valve. The valve is closed when the push-button is not illuminated. Let all the water drain out of the filter canister.



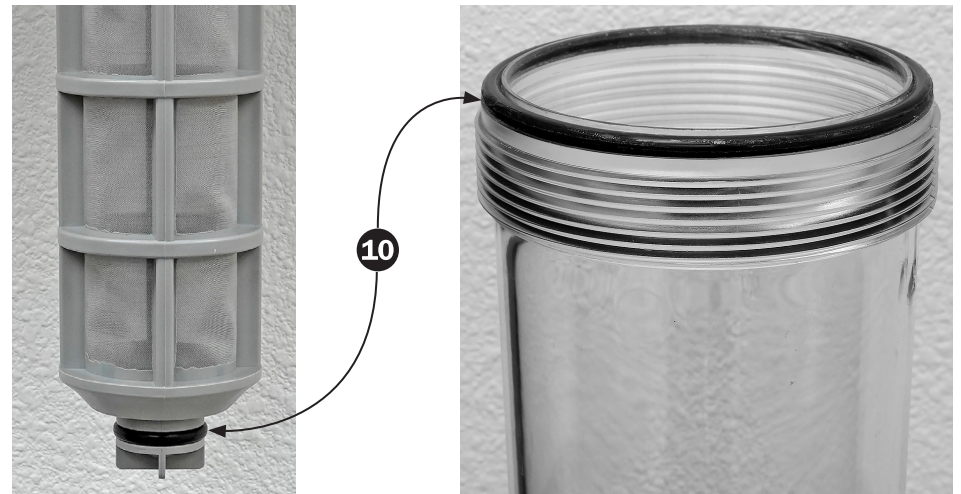
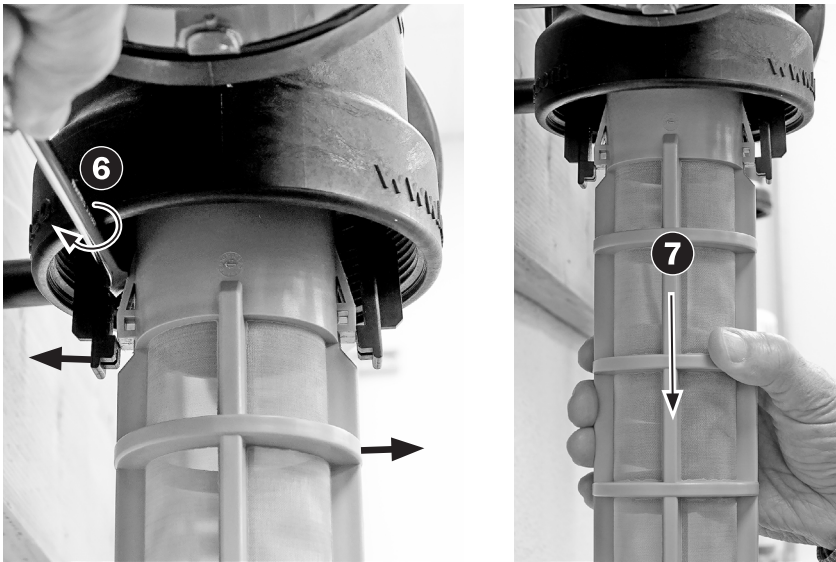
**CAUTION** The filter must be depressurized before the canister is removed.

3. If the optional sun shield is installed, slide it down.
4. Turn the filter canister clockwise to remove it.

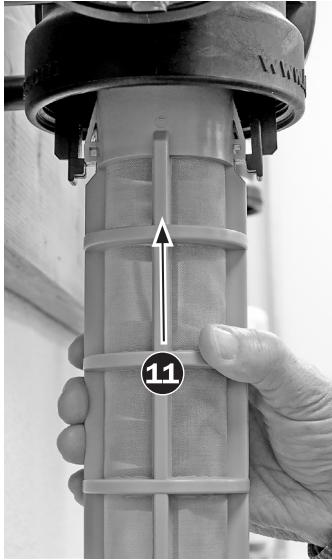
## Manually Clean the Filter Element *(continued)*



5. Insert a large standard screwdriver in the space between the filter element retaining clip and the flange on the filter element. Twist the screwdriver to push open the retaining clip while rocking the filter element away from the clip. The filter element flange will wedge the retaining clip open.
6. Insert the screwdriver in the space between the opposite retaining clip and filter element flange. Twist the screwdriver to push open the retaining clip while rocking the filter element away from the clip until both retaining clips are wedged open.
7. Pull the filter element down to remove it.
8. Clean the filter element with a soft nylon brush.
9. Wash the filter canister with mild dishwashing liquid and water.
10. Apply silicone lubricant (p/n 98.1120.00) to the O-ring at the base of the filter element and the O-ring at the mouth of the canister.



## Manually Clean the Filter Element *(continued)*



11. Push the filter element upwards back into the retaining clips. Ensure that the filter element is locked in place.



**CAUTION** Do not use tools to tighten down the filter canister or it may crack.

12. Reinstall the canister on the filter head by screwing counterclockwise until hand tight.
13. If the optional sun shield is installed, slide it back up to cover the canister.
14. Continue with step 7 of "Flush the Filter Element" on page 6.

## Replace the Filter Element

To replace the filter element, follow the instructions for manually cleaning the filter, but instead of cleaning the old filter, discard it and install the new filter element.

## Water Filter Maintenance Parts

Description	Part Number
Water Filter Element	C0220
Silicone Lubricant, 3.5 oz	98.1120.00

Contact your authorized A-dec dealer for available water filter maintenance parts.

# Specifications

---



Mains Outlet:	120 VAC <0.5 A
Pressure:	100 psi at 73°F (6.9 bar at 38°C) maximum
Temperature:	33°F–120°F (0.6°C–49°F)
Flow:	78 gpm (17.7 m <sup>3</sup> /hr) maximum
Filter Element Mesh:	100 mesh (149 micron)



**IMPORTANT** For electrical specifications, identification of symbols, and other regulatory requirements, see the *Regulatory Information, Specifications, and Warranty* document (p/n 86.0221.00) available in the Resource Center at [www.a-dec.com](http://www.a-dec.com).



For quick access to this document online, scan, tap, or click this QR code, which points to: [a-dec.com/regulatory-guide](http://a-dec.com/regulatory-guide).



**NOTE** Specifications are subject to change without notice. Requirements may vary depending on your location. For more information, contact your authorized A-dec dealer.

---







 **A-dec Headquarters**

2601 Crestview Drive  
Newberg, Oregon 97132  
United States  
Tel: 1.800.547.1883 within USA/CAN  
Tel: +1.503.538.7478 outside USA/CAN  
[www.a-dec.com](http://www.a-dec.com)

**A-dec Australia**

Unit 8, 5-9 Ricketty Street  
Mascot, NSW 2020  
Australia  
Tel: 1.800.225.010 within AUS  
Tel: +61.(0).2.8332.4000 outside AUS

**A-dec United Kingdom**

Austin House, 11 Liberty Way  
Nuneaton, Warwickshire CV11 6RZ  
England  
Tel: 0800.ADEC.UK (2332.85) within UK  
Tel: +44.(0).24.7635.0901 outside UK



86.1116.00 Rev A  
Date of Issue 2024-04-24  
Copyright 2024 A-dec, Inc.  
All rights reserved.

IFUnewcov5