

INSTRUCTIONS
FOR USE

A-dec® 300 Pro

DELIVERY SYSTEMS



a dec®

Copyright

© 2023 A-dec, Inc. All rights reserved.

A-dec, Inc. makes no warranty of any kind with regard to this material, including, but not limited to, the implied warranties of merchantability and fitness for a particular purpose. A-dec, Inc. shall not be held liable for any errors contained herein or any consequential or other damages concerning the furnishing, performance or use of this material. The information in this document is subject to change without notice. If you find any problems in the documentation, please report them to us in writing. A-dec, Inc. does not warrant that this document is error-free.

No part of this document may be copied, reproduced, altered, or transmitted in any form or by any means, electronic or mechanical, including photocopying, recording, or by any information storage and retrieval system, without prior written permission from A-dec, Inc.

Intellectual Property Rights

None of the trademarks, trade names, or proprietary symbols and icons in this document may be reproduced, copied, or manipulated in any manner without the express, written approval of the trademark owner.

A-dec, the A-dec design logo, and the trademarks listed at www.a-dec.com/legal/trademarks are trademarks of A-dec, Inc. and are registered in the United States and other countries. Certain touch control symbols and icons are proprietary to A-dec, Inc.

Regulatory Information and Warranty

For required regulatory information and the A-dec warranty, see the *Regulatory Information, Specifications, and Warranty* document (p/n 86.0221.00) available in the Resource Center at www.a-dec.com.



For quick access to this document online, scan, tap, or click this QR code, which points to: a-dec.com/regulatory-guide.

Product Service

Product service is available through your local authorized A-dec dealer. For service information, or to locate an authorized dealer, contact A-dec at 1.800.547.1883 in the USA and Canada or +1.503.538.7478 worldwide, or visit www.a-dec.com.

Product Models and Versions Covered in This Document*

Models	Versions	Description
332pro/333pro 334pro/335pro 336pro/342pro	n/a	Delivery System

* Some product models, versions, and options in this document may not be available in certain regions.

Content Map

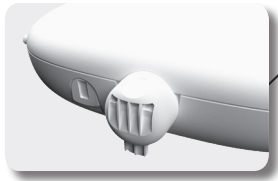
Control Pad6



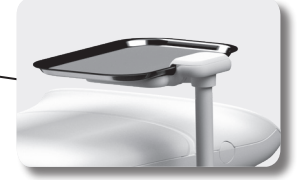
Master Toggle2



Oil Collector 15



Tray Holder 11



Flexarm4, 9, 13



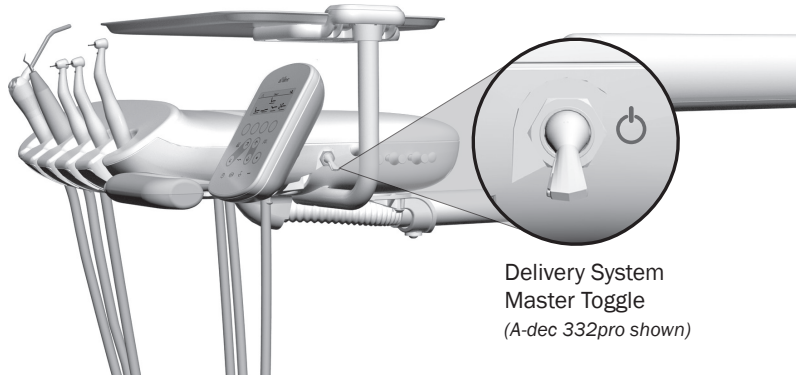
Water Bottle..... 17



Operate/Adjust	2
Clean/Maintain.....	14
Specifications.....	19

Operate/Adjust

Turn On/Turn Off the Air, Water, and Power



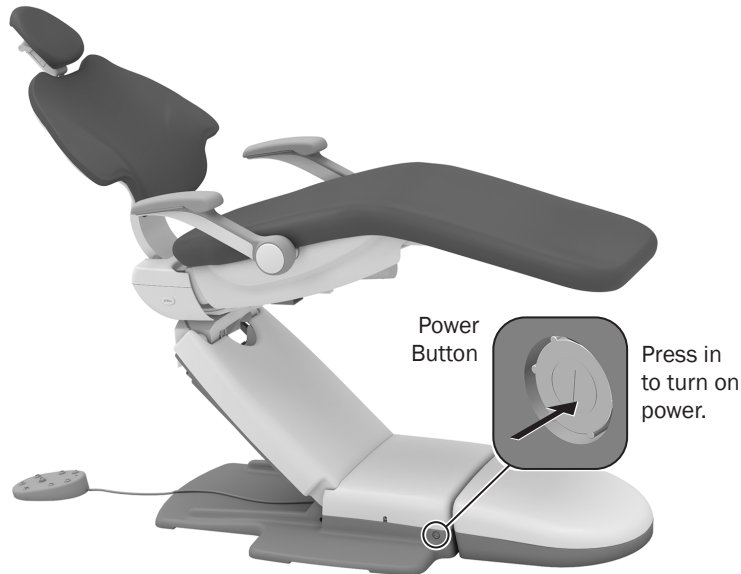
NOTE A-dec recommends that you perform a shock treatment on the dental unit waterlines before you use the system for the first time. For more information, see “Waterline Maintenance” on page 17.

Master Toggle

Use the master toggle to turn on the system air, water, and power. If there is no power to the system, verify that the power button on the chair is pressed in. This button must be on in order for the master toggle to control system power.

When to Turn Off the Power

To save energy and reduce the chance of air leaks, press the power button to turn off power at the end of the day and before longer periods of non-use.



Chair Safety Features



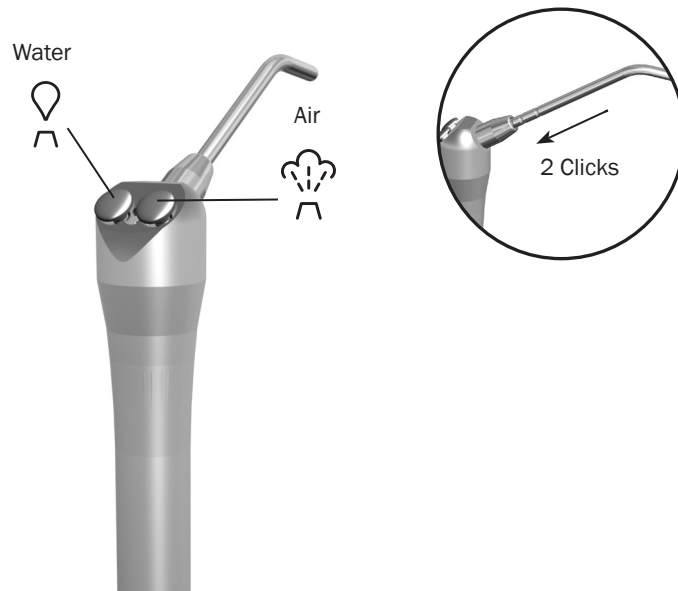
A-dec dental chairs and systems include safety features (like the chair stop plate) that may stop or prevent the chair from moving. This may occur due to any of the following:

- There's an obstruction under the chair or attached module.
- The foot control disc or lever is pressed.
- A handpiece isn't properly seated in its holder.



NOTE If the chair stops unexpectedly or won't move, check for and correct any of the conditions listed above. If an obstruction is blocking chair movement, use the control pad or footswitch to raise the chair, then remove the obstruction.

Operate the Autoclavable Syringe

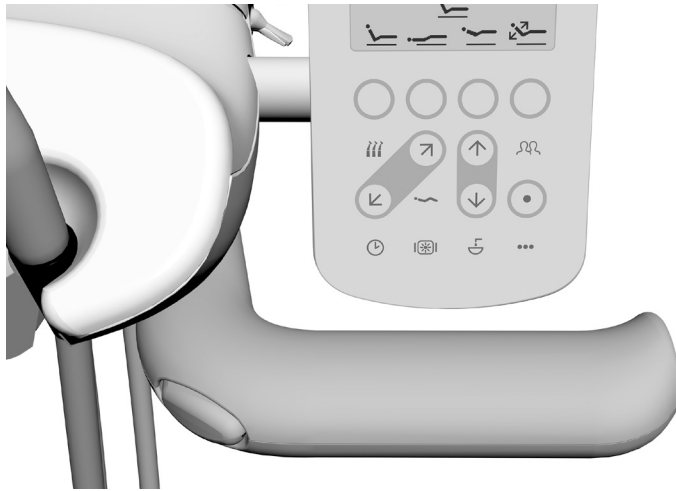


To install the A-dec syringe tip, push the tip in until you feel two clicks. Press both buttons simultaneously for the air/water spray.



IMPORTANT For more details on syringe usage and maintenance, see your A-dec syringe Instructions for Use.

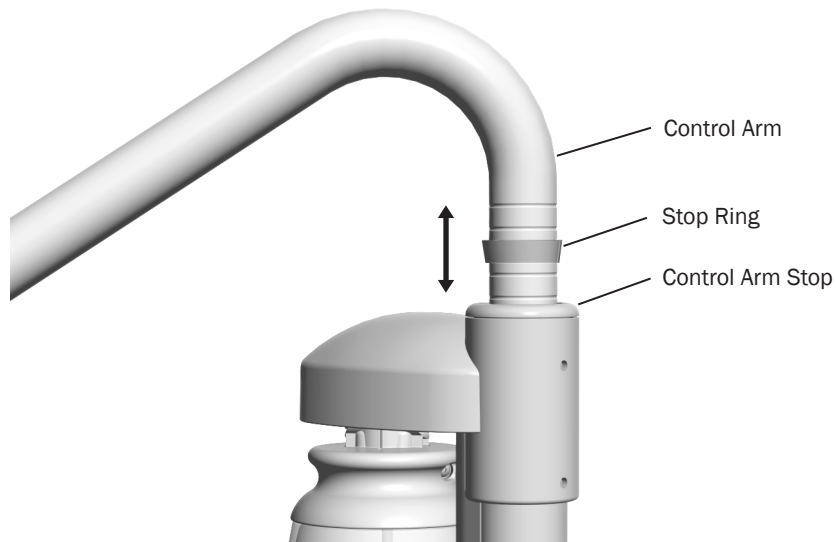
Position the Delivery System



Flexarm Brake (332pro/333pro/334pro/335pro systems only)

On systems with a counterbalanced flexarm, an integrated brake maintains the vertical position of the control head (with up to 4 lb [1.8 kg] of additional weight). The brake does not restrict side-to-side movement. To adjust the control head height:

1. Press and hold the button to disengage the brake while you position the control head.
2. Release the button to engage the brake.



Manual Height Adjustment (336pro system only)

To adjust the control head height on systems with manual height adjustment:

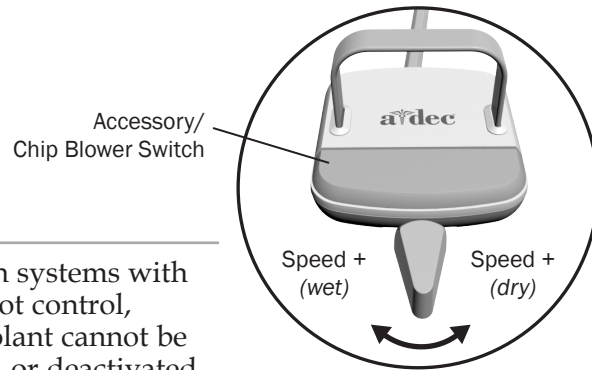
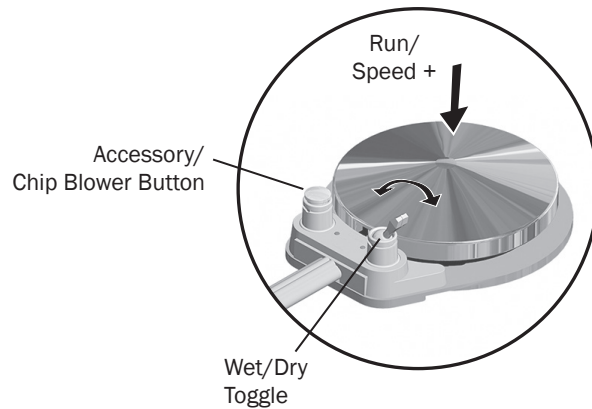
1. Lift the control arm.



NOTE The height adjustment range for the control arm is 5" (127 mm).

2. Slide the stop ring to the desired height groove.
3. Lower the control arm and stop ring into the control arm stop.

Operate the Foot Control



NOTE On systems with a lever foot control, water coolant cannot be activated, or deactivated, from the control pad.



NOTE The lever foot control wet/dry function can be reversed by a technician (change left direction to dry, right direction to wet). For more details, contact your authorized A-dec dealer.

To activate a handpiece, lift it from the holder or pull the whip forward. Use the foot control to perform the desired handpiece operation.

Control	Operation	Procedure
Disc Foot Control	Run a handpiece.	Press on the disc. Push down to increase speed.
	Run a handpiece with or without water coolant.	Use the control pad or flip the wet/dry toggle to turn the coolant on or off. Then press on the disc.
	Run the optional accessory/chip blower.	Press the accessory/chip blower button.*
	Operate the intraoral camera.	Press on the disc to capture an image.*
Lever Foot Control	Run a handpiece with water coolant.	Move the lever to the left. Move farther to increase speed.
	Run a handpiece without water coolant.	Move the lever to the right. Move farther to increase speed.
	Run the optional accessory/chip blower.	Press the accessory/chip blower switch.*
	Operate the intraoral camera.	Move the lever to the left or right to capture an image.*

* Contact your authorized A-dec dealer for questions about the operation or configuration of your integrated A-dec sanctioned clinical devices.

For handpiece coolant adjustments, see page 7.

CP5i/CP5 Control Pads*



For touchscreen and control pad use, see the *A-dec Touchscreens and Control Pads Instructions for Use* (p/n 86.0857.00) at a-dec.com/touchscreen-manual.



For configuring connectivity features, see the *A-dec+™ Instructions for Use* (p/n 86.1030.00) at a-dec.com/connectivity-manual.

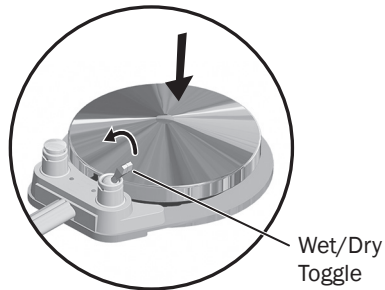
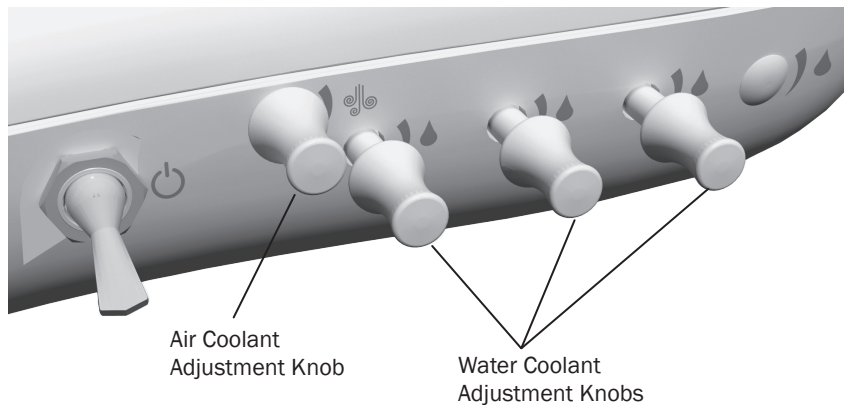


**Note.* Touch control symbols and icons are proprietary to A-dec, Inc.

Adjust the Handpiece Coolant Spray



CAUTION When performing this procedure, do not attempt to completely shut off the water or air flow. The adjustment knobs are not designed to completely shut off flow and can damage the control block if you apply too much force.



Disc Foot Control



Lever Foot Control

The air coolant knob on your delivery system simultaneously adjusts air flow to all handpiece positions. Each water coolant knob adjusts water flow to a single position. Use the following process to adjust for the desired handpiece coolant atomization:

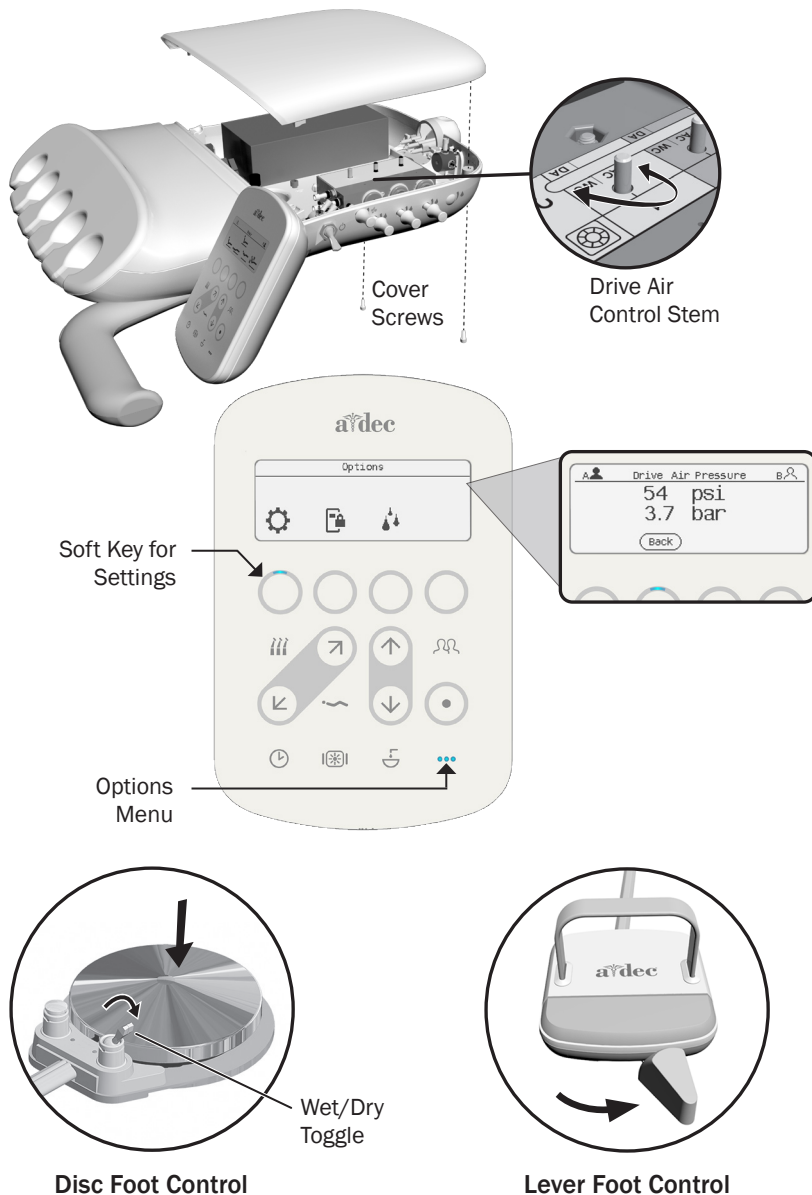
1. Insert a bur into each handpiece you are adjusting.
2. Turn the air coolant adjustment knob clockwise until air coolant stops.
3. Withdraw a handpiece, and do one of the following:
 - **Disc foot control:** flip the wet/dry toggle to wet and press the disc all the way down.
 - **Lever foot control:** move the lever all the way to the side for water.
4. Locate the water coolant adjustment knob for the handpiece position you are adjusting and turn it clockwise until coolant flow stops.
5. Slowly turn the water coolant adjustment knob counterclockwise until water droplets are expelled from every water port on the handpiece head. Return the handpiece to the holder.
6. Repeat steps 3 through 5 for each handpiece.
7. To set the coolant spray, withdraw a handpiece and turn the air coolant adjustment knob counterclockwise until you achieve the desired atomization at the cutting surface of the bur.



CAUTION Do not continue turning the air coolant adjustment knob counterclockwise after the air coolant stops increasing. The stem may come out of the control block.

8. If you require more water coolant, increase the water output in step 5 as needed.

Adjust Handpiece Drive Air Pressure



NOTE Drive air pressure may be lower at the handpiece than what is shown on the touch control. Pressure can also be measured with a handpiece pressure gauge.

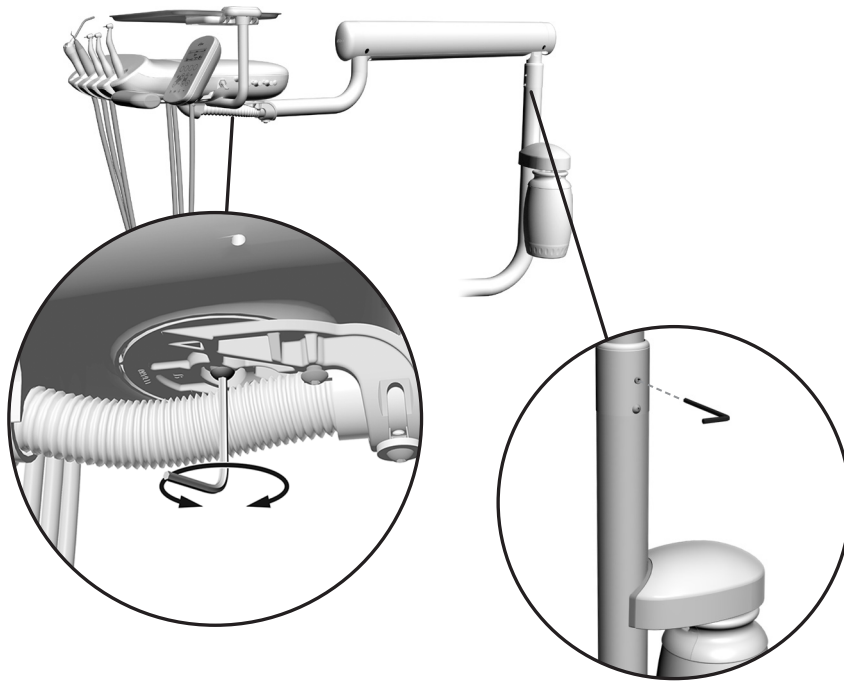
To adjust the drive air pressure for each handpiece:

1. Use a 7/64" hex key to remove the two control head back cover screws. Remove the cover and locate the drive air pressure controls inside.
2. On the control pad, press ●●● to access the **Options** menu.
3. Press the soft key under the ⚙ icon.
4. Select **Diagnostics**.
5. Scroll down and select **Drive Air Pressure**.
6. Withdraw a handpiece.
7. Do one of the following:
 - **Disc foot control:** flip the wet/dry toggle to dry, and press the disc all the way down.
 - **Lever foot control:** move the lever all the way to the side for air.
8. Check the control pad screen to view the pressure reading.
9. Adjust the handpiece drive air pressure to meet the manufacturer's specifications. Turn the control stem clockwise to decrease flow and counterclockwise to increase flow.



CAUTION Exceeding the manufacturer's recommended drive air pressure increases the risk of damage and may significantly decrease the life of your handpiece components. For the proper drive air pressure, see the handpiece manufacturer's Instructions for Use.

Adjust the Control Head and Arm Rotation

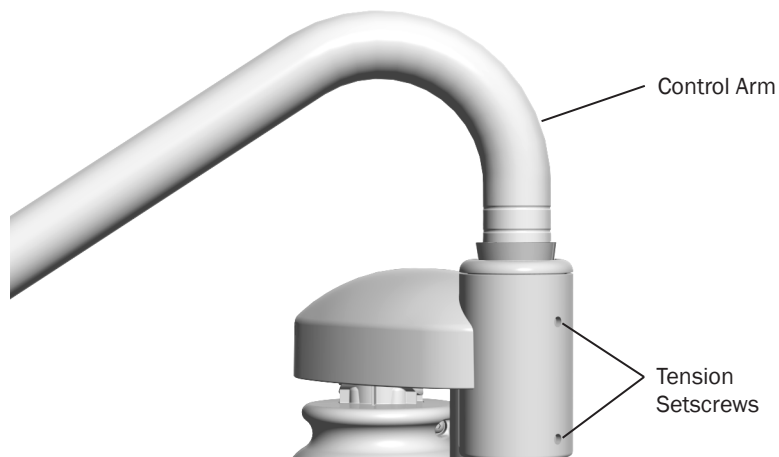


Control Head

If the control head is too loose or difficult to rotate, use a 5/32" hex key to adjust the tension screw under the control head.

Flexarm *(332pro/333pro/334pro/335pro systems only)*

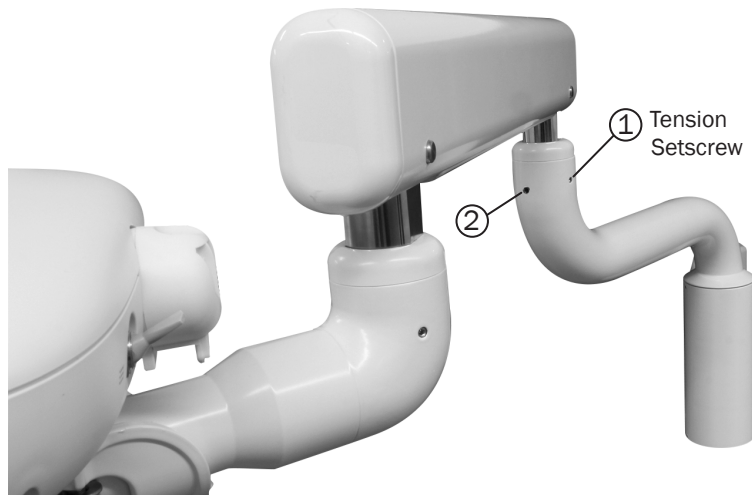
If the control head begins to drift right or left, use a 1/8" hex key to adjust the setscrew tension for the flexarm rotation.



Control Arm *(336pro system only)*

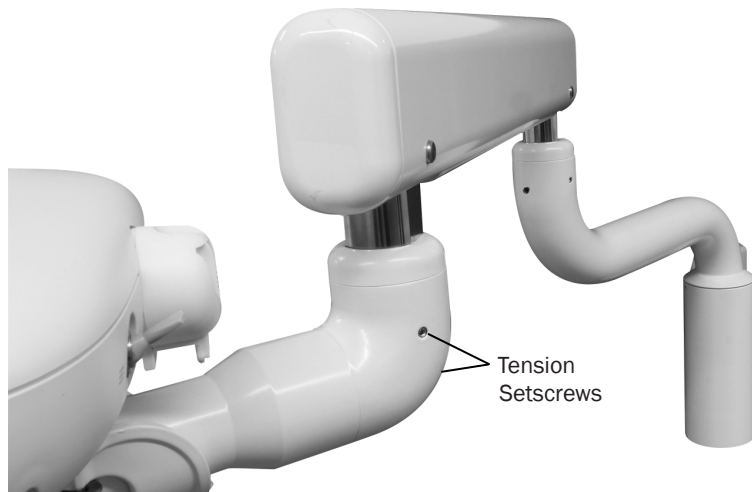
If the control arm is difficult to lift or rotate, or rotates too freely, use a 3/32" hex key to adjust the two tension setscrews. Clockwise increases the tension.

Adjust the Control Head and Arm Rotation *(continued)*



Flexarm Rotation *(342pro system only)*

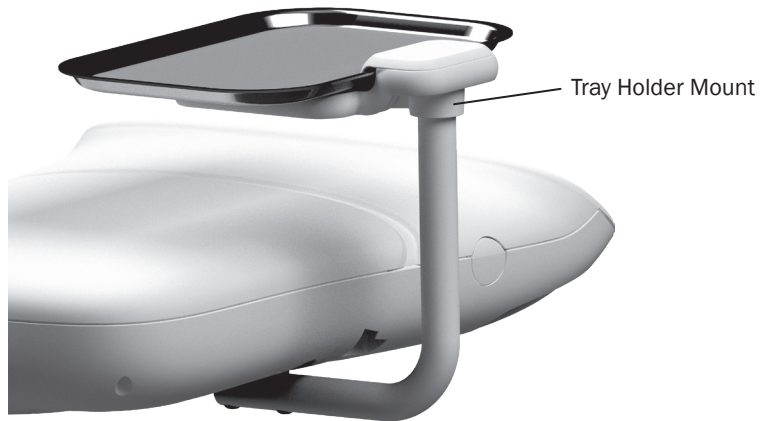
1. Use a 3/32" hex key to adjust the setscrew tension. It should be tight enough not to drift, but not so tight that it is difficult to move. Clockwise increases the tension.
2. After the tension is adjusted, use the same hex key to tighten the other setscrew until snug.



Control Arm Rotation *(342pro system only)*

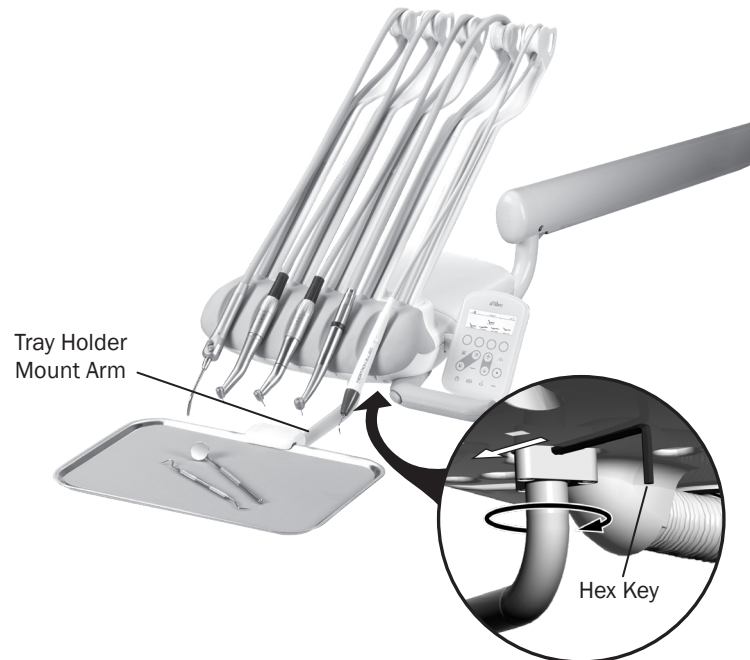
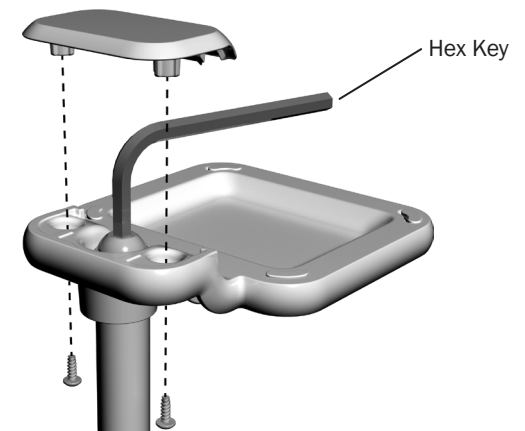
1. Use a 3/32" hex key to adjust the two tension setscrews equally. Clockwise increases the tension.

Adjust the Tray Holder Mount Rotation



If the tray holder mount rotation is too tight or too loose, use a 7/32" hex key to adjust the tension:

1. Use a Phillips head screwdriver to remove the screws holding the cap. Remove the cap.
2. Insert the hex key into the tension bolt and turn clockwise to increase the tension.

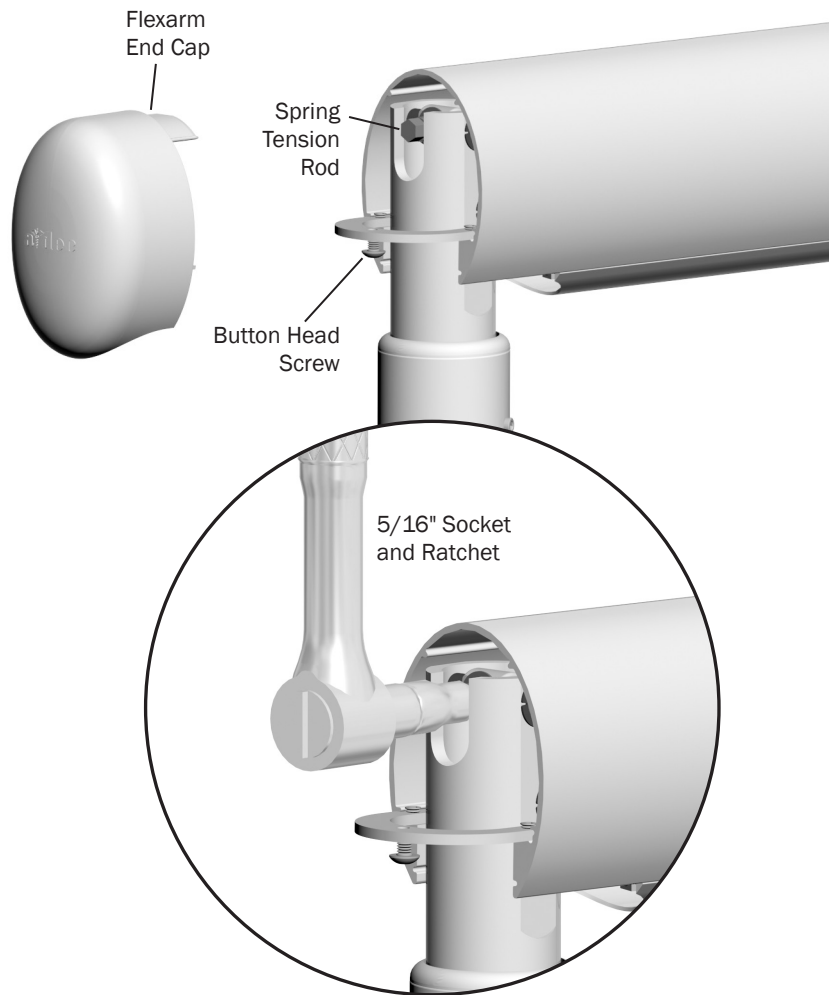


Continental® Systems Only

For 333pro Continental systems, you can also adjust rotation of the tray holder mount arm under the control head. To adjust:

1. Insert a 9/64" hex key through the mounting bracket. If necessary, rotate the tray holder mount arm until the hex key slides completely into the mounting bracket.
2. While holding the bracket stationary with the hex key, turn the arm to adjust the tension. Clockwise increases the tension.

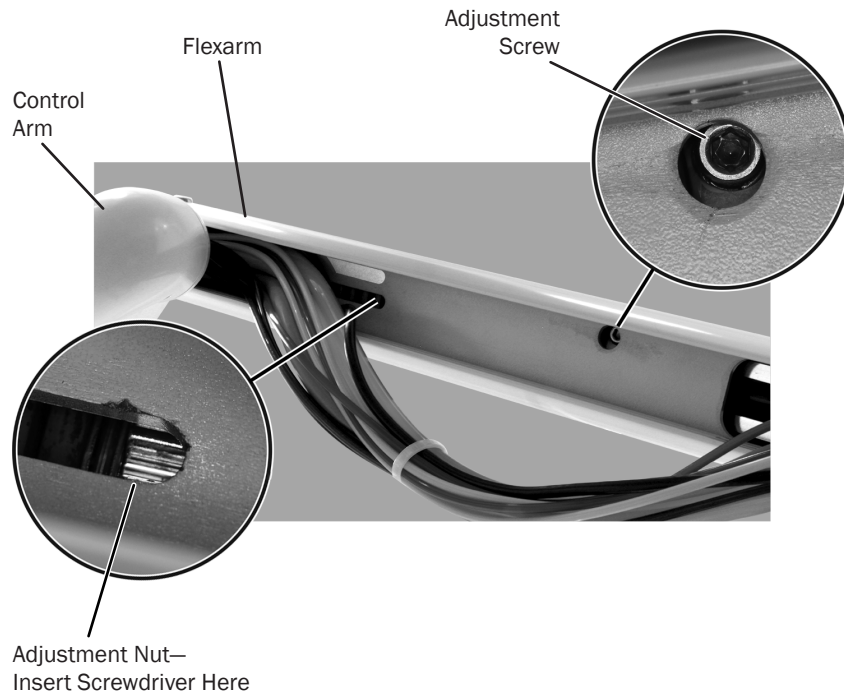
Adjust the Flexarm Tension *(332pro/333pro/334pro/335pro systems only)*



If the control head falls or rises rapidly when you flip the master toggle to the off position, complete these steps to adjust the flexarm spring tension:

1. Flip the master toggle to the on position.
2. Load the control head for normal use, attaching handpieces and placing a tray on the tray holder.
3. Position the control head so the flexarm is level.
4. Use a 1/8" hex key to loosen the button head screw that secures the end cap farthest from the control head, then pull the cap straight out.
5. Flip the master toggle to the off position.
6. Use a 5/16" socket and ratchet to adjust the flexarm spring tension rod until the control head rises gradually when you flip the master toggle to the off position.
 - If the control head rises rapidly, turn the rod counterclockwise.
 - If the control head falls, turn the rod clockwise.

Adjust the Flexarm Tension *(342pro system only)*



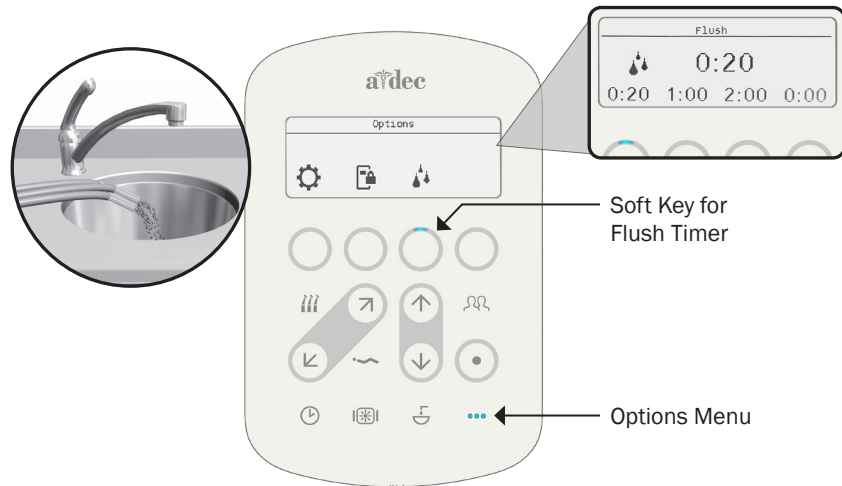
1. Load the control head for normal use. Attach the handpieces. If there is a tray holder, place a tray with instruments on the tray holder.
2. Move the control head to the lowest position.
3. Check whether the control head drifts.
4. Remove the cover under the flexarm.
5. Ensure there is enough slack in the tubing to access the underside of the flexarm.
6. Raise the flexarm up to access the following:
 - **Adjustment nut:** A spring that counterbalances the weight of the control head.
 - **Adjustment screw:** A friction mechanism that maintains the vertical position of the control head.
7. To adjust the counterbalance, insert a standard screwdriver into the adjustment nut:
 - If the control head drifts up, turn the nut counterclockwise.
 - If the control head drifts down, turn the nut clockwise.
8. After the counterbalance is adjusted, move the arm to the full up and full down positions, releasing the control head at each position. If the flexarm drifts in either position, use a 5/32" hex key to tighten the adjustment screw.



CAUTION Do not overtighten the adjustment screw, as you may damage the friction mechanism.

Clean/Maintain


Flush the Handpiece Tubing



NOTE Flush all handpiece tubing (air and waterlines) in accordance with the regulations in your area. If no regulations exist, flush the tubing for a minimum of 20–30 seconds at the beginning of the day and after each patient.

Systems with CP5i Control Pad

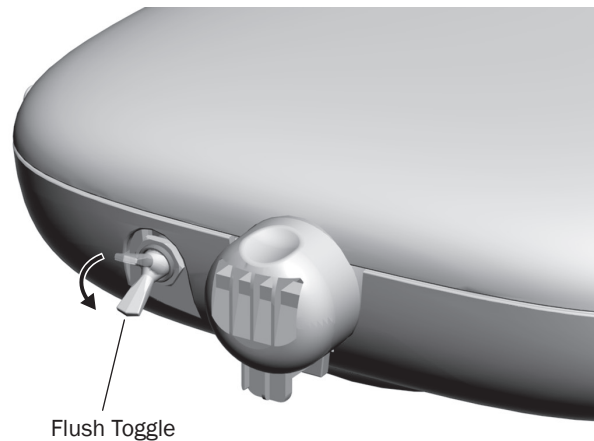
Use the flush feature on the control pad to move a high volume of water through the handpiece tubing. To flush the tubing after each patient:

1. Disconnect the handpieces and hold the tubing over a sink, cuspidor bowl, or basin.
2. On the control pad, press ●●● to access the **Options** menu.
3. Press the soft key under  for the flush timer.
4. Select the soft key for desired flush time. (*Note. For more details on flush timer options, see the A-dec Touchscreens and Control Pads Instructions for Use.*)

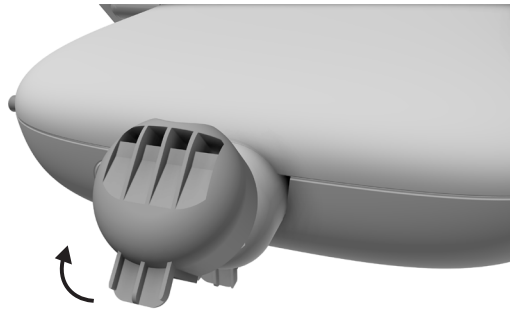
Systems with CP5 or No Control Pad

Use the flush toggle on the back of the control head to move a high volume of water through the handpiece tubing. To flush the tubing after each patient:

1. Disconnect the handpieces.
2. Disconnect the handpieces and hold the tubing over a sink, cuspidor bowl, or basin.
3. Hold the flush toggle down for 20–30 seconds.



Maintain the Oil Collector



Service the oil collector on the delivery system once a week for normal usage and more often for heavier use. To service:

1. Unsnap the oil collector cover from the control head and discard the old gauze. Do not remove the foam muffler.
2. Fold a new gauze pad (2" x 2" [51 mm x 51 mm]) into quarters and place it inside the cover.
3. Snap the oil collector cover closed.

Clean the Saliva Ejector *(336pro systems only)*

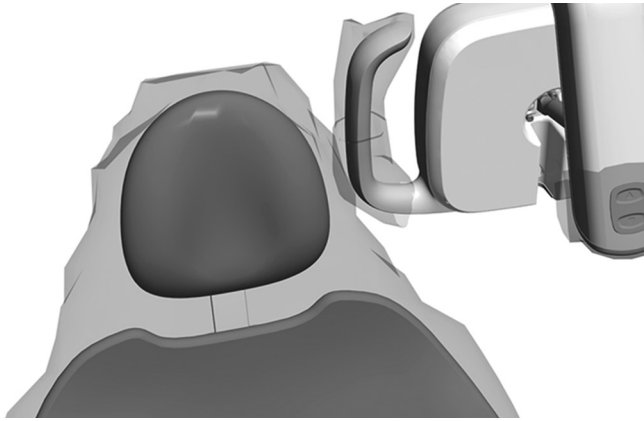


IMPORTANT For saliva ejector use and cleaning instructions, see the *A-dec 300 Support Systems Instructions for Use* (p/n 86.0308.00) available in the Resource Center at www.a-dec.com.



Scan, tap, or click here for quick access to this document online.

Protect with Barriers



NOTE For proper use and disposal of barriers, see the instructions provided by the barrier manufacturer.



IMPORTANT For recommendations on cleaning and chemical disinfection of touch and transfer surfaces (where barrier protection is not applicable or when barriers are compromised), please see the *A-dec Equipment Asepsis Guide* (p/n 85.0696.00).

A-dec recommends barrier protection for all applicable touch and transfer surfaces. Touch surfaces are areas that come into contact with hands and become potential cross-contamination points during dental procedures. Transfer surfaces are areas that come into contact with instruments and other inanimate objects.

In the USA, barriers must be produced under the Current Good Manufacturing Practice (CGMP) as specified by the U.S. Food and Drug Administration (USFDA). For regions outside the USA, refer to the medical device regulations specific to your location.

Waterline Maintenance



A-dec recommends that you use A-dec ICX Renew® waterline shock treatment* before you use the system for the first time.

For on-going waterline maintenance, A-dec recommends a three-part protocol:

- Continuous use of A-dec ICX® waterline treatment tablets
- Regularly monitor the water quality in your dental equipment
- Shock treatment whenever the test results exceed your established water quality action level

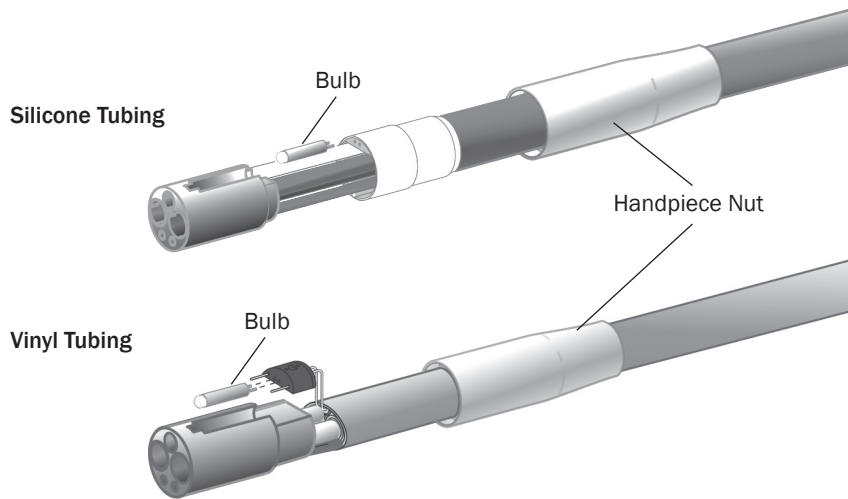


IMPORTANT For complete details on how to maintain good water quality, see the appropriate Instructions for Use provided with your A-dec waterline maintenance products. For quick access to these documents online, scan, tap, or click the QR code below.



* Note. ICX Renew may be sold under different names in different regions.

Replace the Bulb for Fiber-Optic Tubing

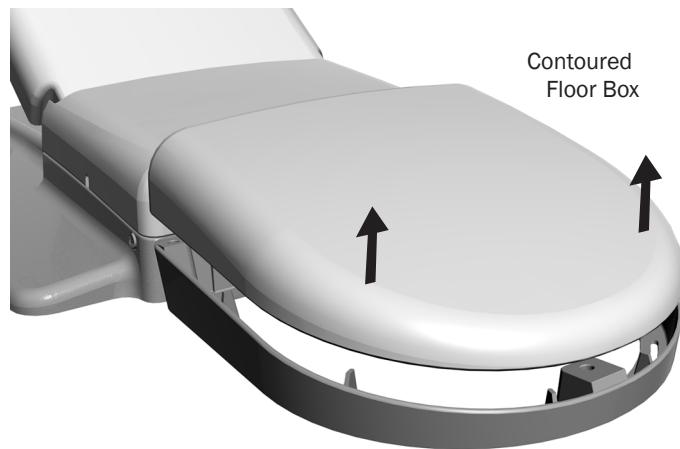


IMPORTANT To replace the bulbs in your handpieces or quick-disconnect couplings, see your handpiece Instructions for Use.

To replace the bulb in your fiber-optic 5-hole silicone or vinyl tubing:

1. Disconnect the handpiece and quick-connector coupling from the tubing.
2. Pull back the metal handpiece nut.
3. Slide back the metal portion of the handpiece terminal (silicone tubing only).
4. Replace the bulb.
5. Reinsert the metal portion of the terminal into the plastic portion (silicone tubing only).
6. Carefully slide the handpiece nut back over terminal.

Access the Utilities



WARNING Shock hazard. When you remove or replace the covers, take care not to damage any wiring or tubing. Verify that the covers are secure after you replace them.

The system utilities are located in the contoured floor box for chair-mounted systems (332pro/333pro/334pro/335pro/336pro), or in the cabinet or remote floor box for side delivery systems (342pro). To access, lift up the floor box cover or removable cabinet panel. For maintenance, contact your local authorized A-dec dealer.

Specifications



System Accessory Load

Maximum accessory load capacity: 4 lb (1.8 kg)
(in addition to integrated accessories)

A-dec Saliva Ejector Tip Connections *(336pro delivery system only)*

Standard 6 mm SE: 6 mm (0.236") diameter opening
(for standard SE tips)



IMPORTANT For electrical specifications, identification of symbols, and other regulatory requirements, see the *Regulatory Information, Specifications, and Warranty* document (p/n 86.0221.00) available in the Resource Center at www.a-dec.com.



For quick access to this document online, scan, tap, or click this QR code, which points to: a-dec.com/regulatory-guide.



NOTE Specifications are subject to change without notice. Requirements may vary depending on your location. For more information, contact your authorized A-dec dealer.



A-dec Headquarters

2601 Crestview Drive
Newberg, Oregon 97132
United States
Tel: 1.800.547.1883 within USA/CAN
Tel: +1.503.538.7478 outside USA/CAN
www.a-dec.com

A-dec Australia

Unit 8
5-9 Ricketty Street
Mascot, NSW 2020
Australia
Tel: 1.800.225.010 within AUS
Tel: +61.(0).2.8332.4000 outside AUS

A-dec China

A-dec (Hangzhou) Dental Equipment Co., Ltd.
Building 5, No. 528 Shunfeng Road
Tangqi Town, Yuhang District,
Hangzhou, Zhejiang, China 311100
Tel: 400.600.5434 within China
Tel: +86.571.89026088 outside China

A-dec United Kingdom

Austin House
11 Liberty Way
Nuneaton, Warwickshire CV11 6RZ
England
Tel: 0800.ADEC.UK (2332.85) within UK
Tel: +44.(0).24.7635.0901 outside UK



86.0923.00 Rev C
Date of Issue 2023-04-12
Copyright 2023 A-dec, Inc.
All rights reserved.