



INSTRUCTIONS FOR USE

**Preference ICC<sup>®</sup>**  
Sterilization Center



## Copyright

© 2018 A-dec Inc. All rights reserved.

A-dec Inc. makes no warranty of any kind with regard to this material, including, but not limited to, the implied warranties of merchantability and fitness for a particular purpose. A-dec Inc. shall not be held liable for any errors contained herein or any consequential or other damages concerning the furnishing, performance or use of this material. The information in this document is subject to change without notice. If you find any problems in the documentation, please report them to us in writing. A-dec Inc. does not warrant that this document is error-free.

No part of this document may be copied, reproduced, altered, or transmitted in any form or by any means, electronic or mechanical, including photocopying, recording, or by any information storage and retrieval system, without prior written permission from A-dec Inc.

## Trademarks and Additional Intellectual Property Rights

A-dec, the A-dec logo, A-dec Inspire, Cascade, Century Plus, Continental, Decade, ICX, ICV, Performer, Preference, Preference Collection, Preference ICC, Radius, and reliablecreativesolutions are trademarks of A-dec Inc. and are registered in the United States and other countries. A-dec 500, A-dec 400, A-dec 300, A-dec 200, and EasyFlex are also trademarks of A-dec Inc. None of the trademarks or trade names in this document may be reproduced, copied, or manipulated in any manner without the express, written approval of the trademark owner.

Certain touchpad symbols are proprietary to A-dec Inc. Any use of these symbols, in whole or in part, without the express written consent of A-dec Inc., is strictly prohibited.

Pozidriv is a registered trademark of Phillips Screw Company. GOJO is a registered trademark of GOJO Industries Inc. All other trademarks cited herein are the property of their respective owners.

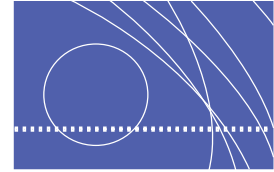
## Regulatory Information

Regulatory information mandated by agency requirements is provided in the *Regulatory Information, Specifications, and Warranty* document (p/n 86.0221.00), which is available in the Document Library at [www.a-dec.com](http://www.a-dec.com).

## Product Service

Product service is available through your local authorized A-dec dealer. For service information, or to locate an authorized dealer, contact A-dec at 1.800.547.1883 in the USA and Canada or 1.503.538.7478 worldwide, or visit [www.a-dec.com](http://www.a-dec.com).

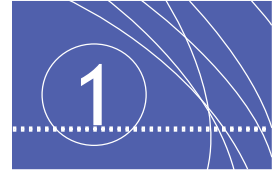
# CONTENTS



<b>1 Introduction .....</b>	<b>1</b>
About Preference ICC .....	1
<b>2 Basic Operation .....</b>	<b>3</b>
Clock/Timer .....	3
Foot-Activated and Hands-Free Operations.....	4
Foot-Activated Faucets.....	4
Upper Storage.....	5
Dryer Activation .....	6
Waterproof Drawers, Inserts, and Shelves.....	7
Presoak Drawers .....	7
Plastic Drawer Inserts .....	8
Pull-Out Shelves.....	8
Soap Dispensers .....	9
Motion-Activated Soap Dispenser .....	9
Cleaning and Maintenance.....	11
Manual Soap Dispensers .....	12
Towel and Glove Dispensers .....	14
Paper Towel Dispenser .....	14
Glove Dispensers .....	14
Heavy Duty Glove Holder .....	15
Task Lighting.....	15
Specialized Waste Containers .....	17
Biowaste Drawer.....	17
Large Waste Container.....	17
Counter-Mounted HVE .....	18
Extendable Chrome Faucet .....	18
<b>3 Adjustments .....</b>	<b>19</b>
Hinges.....	19
Doors.....	20
Soft Close Adjustment.....	22
Drawer Fronts .....	23
Foot-Activated Doors .....	24
Knee-Activated Drawers .....	24
Knee-Activated Drawer Fronts.....	25
Knee-Activated Door Front.....	25
Knee-Activated Drawer Latches.....	26
Dryer Front .....	26
Tub Drawer Fronts .....	27
Tray Drawer Fronts .....	27
Water Shutoff Valves.....	28

Cleaning Surfaces.....	29
Solid Surface .....	29
Laminate.....	29
Quartz.....	29
Cleaning the Preference ICC Dryer.....	30
Asepsis Recommendations.....	30
<b>Appendix: Warranty.....</b>	<b>31</b>
Warranty .....	31

# INTRODUCTION



Thank you for choosing A-dec equipment. This guide contains basic operating instructions, adjustments, and maintenance for your Preference ICC sterilization center.

Before using Preference ICC, please note all cautions and warnings. Read the component descriptions, and become familiar with the locations of features and controls.

## About Preference ICC

Preference ICC offers a long list of module configurations and options, which means your system is specifically designed for your practice.

**Figure 1. Example Configuration**





# BASIC OPERATION

## Clock/Timer



**Table 1. Clock/Timer Settings**

To Do This Function...	Do this...
Set the time.	Press and hold set clock while pressing hour, min, or sec.
Set 12-/24-hour display formats.	Press and hold set timer and set clock (AM/PM will only be displayed for the 12-hour format).
Set the countdown timer.	Press and hold set timer and min or sec until the desired time is reached.
Start the timer.	Press start.
Stop the timer.	Press start.
Clear the timer.	Stop the timer, then press and hold set timer for three seconds.
Recall last start time.	Press recall while the timer is stopped.
Select timer 1 or 2.	Press timer 1 2.

## Countdown Timer

When the countdown timer reaches ten and five seconds, the alarm will beep once. When it reaches zero, the alarm beeps three times. The timer continues to run until start is pressed again or the timer reaches -60 seconds.

## Low-Battery Indicator

When the low-battery indicator light begins to flash, replace the 9 volt alkaline battery. If the battery is removed and replaced within 14 seconds, the clock will not require resetting. The battery connector is polarized, so the battery will easily snap into place if it is in the correct orientation.



---

**CAUTION** Do not force the battery into place. If the battery doesn't snap to the connectors easily, reverse the orientation of the battery and reinsert it. Do not change the battery while the audible alarm is active.

---

## Foot-Activated and Hands-Free Operations

Preference ICC reduces the risk of contamination by limiting touch surfaces. The optional hands-free features for faucets, storage, and the dryer allow fast efficient workflow without touch points and the need to change gloves.

An on/off toggle located on the main air supply line restores manual functions should there be a valve or cylinder failure in hands-free operations.

### Foot-Activated Faucets

The faucet turns on with pressure on the kickplate.

**Figure 2. Foot-Activated Kickplate**



To adjust the water temperature:

1. Press and hold the faucet activation kickplate.
2. Adjust the faucet handle until the desired temperature is reached.
3. Release the kickplate and leave the handle in position.



## Upper Storage

Press the kickplate to access the upper storage areas in clean storage and receiving modules with optional foot-activated doors.

**Figure 3. Hands-Free Activation of the Upper Storage Doors**



## Dryer Activation

Press the kickplate to open or close the dryer door. Close the door and pass your hand over the electronic eye, mounted under the upper cabinet, to start the dryer. The green indicator light will blink when the cycle begins and continues blinking during the full 15-minute cycle. When the cycle is finished, the green light will stop blinking but remain illuminated.

Figure 4. Open and Close Dryer / Electronic Eye



---

**NOTE** Each time you load anything into the dryer, use the complete 15-minute cycle. Opening the door mid-cycle stops the cycle; when you re-close the door, the cycle resets.

If you use transfer baskets, remove the cassette holders before loading the dryer. To optimize your dryer performance, shake off the cassettes or instruments in the sink to remove excess liquid before placing them in the dryer.



---

**CAUTION** Accumulation of water in the dryer can compromise the electronics. Never rinse instruments inside the dryer and do not spray water into the dryer. Do not use the unit as a “drying rack.” To function properly, the dryer must be activated immediately after the instruments are loaded. Otherwise, water can accumulate in the bottom of the unit, which can damage the dryer.



---

**CAUTION** If the dryer cycle is interrupted, contents will be hot.



---

**CAUTION** Metal surfaces can be hot during and following the dry cycle.

---

## Waterproof Drawers, Inserts, and Shelves

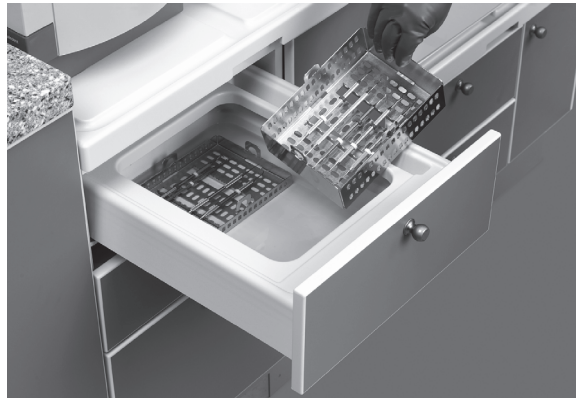
Preference ICC drawers, inserts, and shelves help contain contaminated fluids and keep the sterilization area clean and dry.

### Presoak Drawers

Designed with deep sides and a fitted cover, the presoak drawers provide:

- Anti-spill design to help contain fluids for presoaking
- A reduction in airborne contaminants by containing them in liquid
- Moist storage to prevent drying of debris on instruments

**Figure 5. Presoak Drawers**



## Plastic Drawer Inserts

Drawer inserts come with single, two, four, or six compartments.

Plastic drawer inserts provide:

- Interchangeable or removable storage within the module
- Storage for different size bags and materials
- Flat recessed drawers for wrapping
- Reduced countertop clutter

**Figure 6. Plastic Drawer Inserts**



## Pull-Out Shelves

Pull-out shelves are located on the countertop and in the lower portions of the clean storage or receiving modules.

Pullout shelves provide:

- A grooved design to contain liquid spills
- Quick clean up with the HVE
- Easy placement and access to small equipment

**Figure 7. Pull-Out Shelves**



# Soap Dispensers

## Motion-Activated Soap Dispenser

The optional motion-activated soap dispenser operates with an infrared detector. The dispenser activates within one second after you place your hand under the nozzle.

If the dispenser was just installed, but is not working, ensure that the shipping tab was removed.

### Access the Cartridge/Battery Compartment

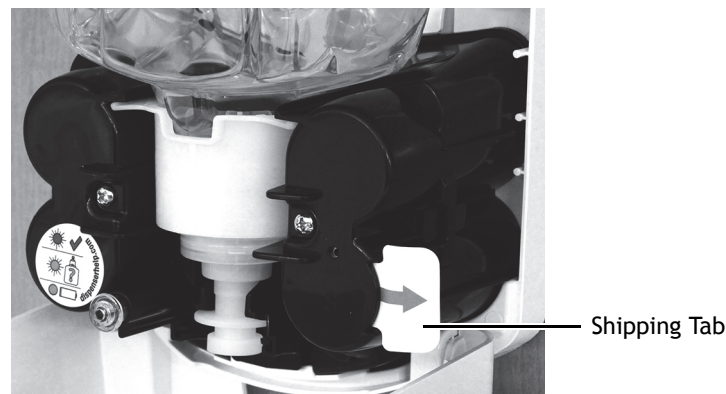
1. Press both release buttons at the top of the dispenser.
2. Pull down the dispenser cover.

**Figure 8. Access Cartridge/Battery Compartment**



3. Remove the shipping tab.

**Figure 9. Shipping Tab**

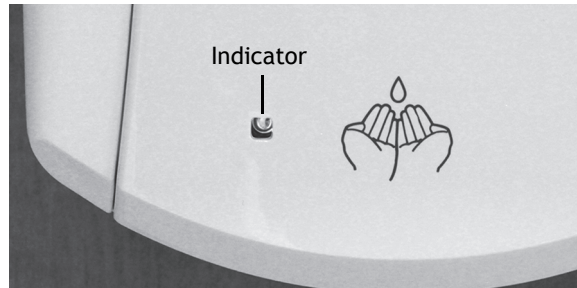


## Status Indicator

An indicator on the dispenser provides the following cartridge and battery status:

- No light – Shipping tab has not been removed or the batteries are dead or missing.
- Red blinking light – Cartridge is empty or missing.
- Red solid light – Batteries are low.
- Green blinking light – Normal operation.

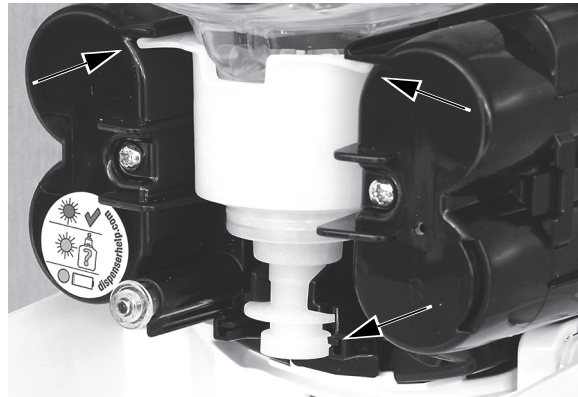
**Figure 10. Status Indicator**



## Install a Soap Cartridge

1. Press the dispenser release buttons and pull down the cover. See “Access the Cartridge/ Battery Compartment” on page 9.
2. Insert the soap cartridge and ensure that the nozzle is properly seated, as shown below, before closing the cover.

**Figure 11. Proper Soap Cartridge Installation**



## Cleaning and Maintenance

Clean the outside of the dispenser with warm water and mild soap. Do not use abrasive cleaners. Dry the dispenser with a soft cloth.

### Install the Batteries

Replace the batteries when the indicator light is solid red. To replace:

1. Press the dispenser release buttons and pull down the cover. See “Access the Cartridge/Battery Compartment” on page 9.
2. Use a Phillips head screwdriver to remove the two battery cover screws.
3. Press the release tab on both sides to remove the cover.
4. Insert three new size D alkaline batteries.

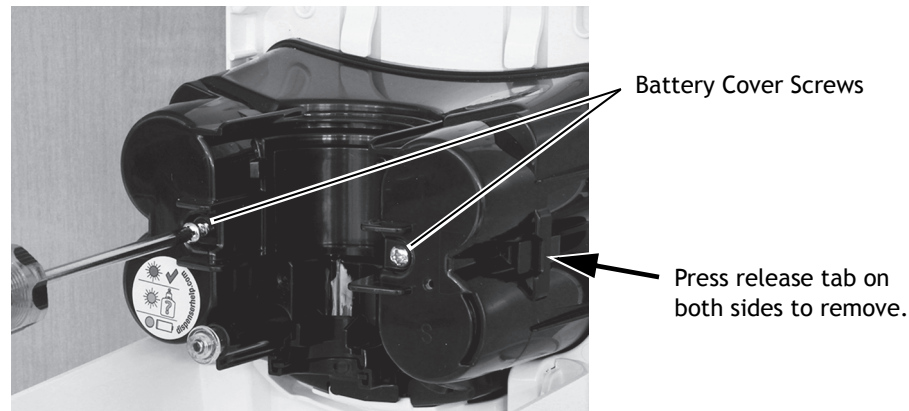



---

**TIP** Do not mix old and new batteries.

---

**Figure 12. Replace the Batteries**



### Troubleshooting

Use the table below to troubleshoot the soap dispenser:

Problem	Cause
No soap will dispense	<ul style="list-style-type: none"> <li>• Hands are not directly beneath the sensor.</li> <li>• No soap bottle is loaded.</li> <li>• Incorrect soap bottle is loaded.</li> <li>• Soap bottle is empty.</li> </ul>
Motor does not run	Batteries are not installed, are installed incorrectly or are dead.

### Refill Products

For soap dispenser refills, order the following:

Product	Dispenser Specification
GOJO® Soap Refill	90.1480.00 GOJO 2 Pack Refill Kit

For more information about your soap dispenser, contact your authorized A-dec dealer.

## Manual Soap Dispensers

Preference ICC accommodates two types of manual soap dispenser fill systems:

- Under-the-counter small dispenser bottle
- Large commercial container dispenser



---

**NOTE** CDC Infection Control guidelines indicate that dispensers should be washed and dried before refilling. The guidelines state: *Handwashing products, including plain (i.e. non-antimicrobial) soap and antiseptic products, can become contaminated or support the growth of microorganisms. Liquid products should be stored in closed containers and dispensed from either disposable containers or containers that are washed and dried thoroughly before refilling. Soap should not be added to a partially empty dispenser, because this practice of topping off might lead to bacterial contamination. Store and dispense products according to manufacturers' directions.*

---



---

**NOTE** Contact your local Delta® dealer for individual parts of the RP1000 Pump Assembly. Order replacement Chrome Soap Dispenser Assembly (p/n 042.584.00) from A-dec.

---

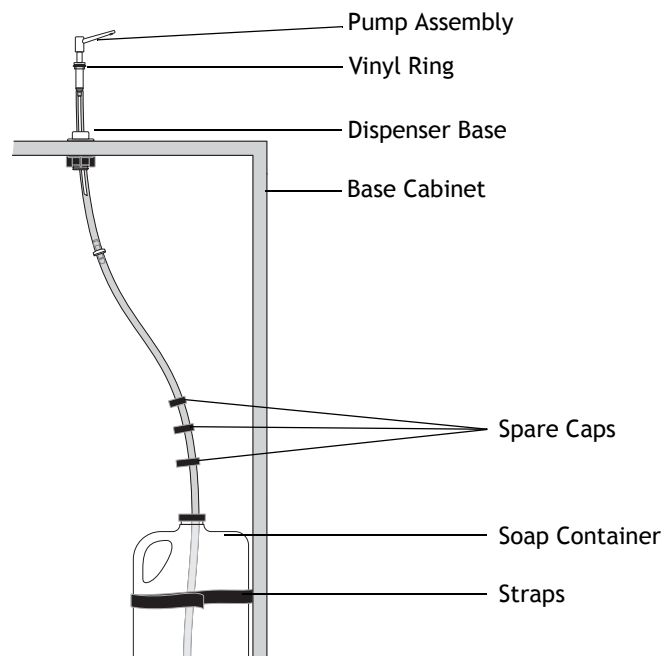


## Large Commercial Soap Container

To install a large commercial container for the soap dispenser:

1. Attach the appropriate cap to the soap container. Slide the remaining caps into the free end of the tubing for storage.
2. Push the end of the tubing down through the attached cap to the bottom of the soap container.
3. Place the pump assembly in the dispenser base and pump until soap is dispensed.
4. Secure the soap container to the cabinet with the straps.

**Figure 13. Install Commercial Soap Container**



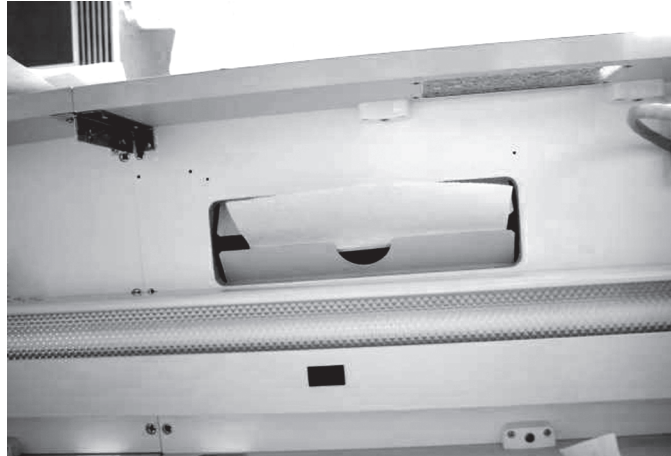
## Towel and Glove Dispensers

### Paper Towel Dispenser

Each middle module with a sink has a towel dispenser located in the bottom of the upper storage.

The dispensers hold C- or Z-fold towels, such as 9-1/2" x 9-1/4" Crown-Zellerbach® or equivalent.

**Figure 14. Paper Towel Dispenser**



### Glove Dispensers

Optional glove dispensers are available in the upper storage of middle sink modules.

To refill a glove dispenser:

1. Open the cabinet doors.
2. Remove the empty glove box.
3. Place a new box in the space and secure it with the elastic bands.
4. Close the cabinet doors.

**Figure 15. Glove Dispenser**



## Heavy Duty Glove Holder

All sink modules include a heavy duty glove holder conveniently located inside the door.

Figure 16. Heavy Duty Glove Holder



## Task Lighting

Preference ICC uses four different lengths of light bulbs for the task lights. All of these task light bulbs are available at your local hardware store.

Task Light Length	Bulb Part Number
18 inches	15WT8
24 inches	17WT8
36 inches	25WT8
48 inches	32WT8

Figure 17. Task Light Bulb



To replace a task light bulb:

1. Remove the cover from the task light.
2. Pull the bulb towards you in a horizontal motion.



---

**NOTE** Unlike Preference Collection task lights, these bulbs do not rotate into position.

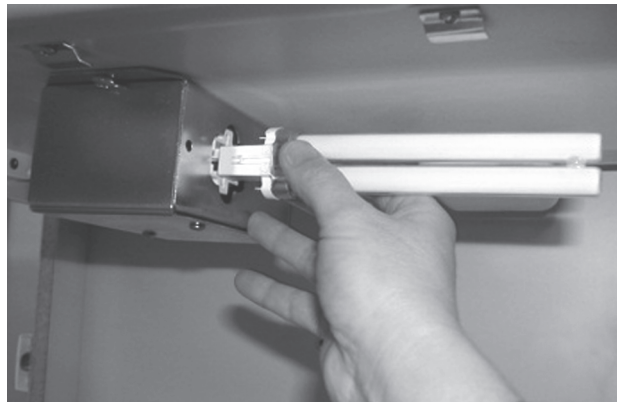
---

3. Line up the pins on the new bulb with the horizontal slots.
4. Gently push the bulb in with a horizontal motion.
5. Replace the cover.

To replace the light bulbs in Clean Storage or Receiving modules:

1. Remove the light cover.

**Figure 18. Remove/Replace the Light Bulb**



2. Pull the bulb out the socket.
3. Push the new bulb in the socket.
4. Replace the light cover.



---

**NOTE** Clean Storage and Receiving module light bulbs are 9W PL-S, which are available at your local hardware store.

---

## Specialized Waste Containers

Preference ICC offers receptacles for two kinds of waste management:

- Sharps collection
- Regular trash

These specialized containers offer your staff the ability to manage waste according to guidelines.




---

**BIOHAZARD** Infectious waste may be present. Follow asepsis protocol to prevent cross contamination.

---

### Biowaste Drawer

The biowaste drawer accommodates a large sharps container.

**Figure 19. Biowaste Drawer and Large Sharps Container**



Biowaste Drawer



Large Sharps Container

### Large Waste Container

The large waste container drawer is located in the sink module.

**Figure 20. Sink Drawer with Large Waste Container**



Sink Module Drawer



Large Waste Container

## Counter-Mounted HVE

The optional HVE is available on all sink modules. Its convenient counter-mounted position is easily accessible for the removal of liquids around the sterilization area. It also helps facilitate the draining and cleaning of presoak drawers and spill troughs in slide-out trays.



---

**CAUTION** Immersing the HVE in liquid may damage the vacuum pump. Please check the manufacturer's requirements for vacuum pump protection before vacuuming liquids.

---

Figure 21. Counter-Mounted HVE



## Extendable Chrome Faucet

Cleaning, rinsing and debris removal are made easier with the added versatility of an extendable faucet. You can use it to rinse items outside of the sink or to reach around awkward items in the sink.

The faucet head has two different spray options to allow for a soft easy rinse, or a more focused spray for debris removal. Press the button on the faucet head to change the spray intensity.

Figure 22. Extendable Faucet



# ADJUSTMENTS

## Hinges

Use the quick-release hinges for convenient door removal and replacement.

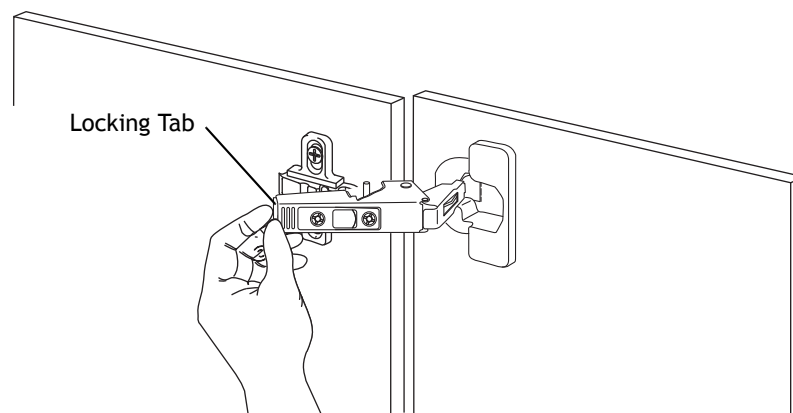
To remove the doors:

1. Press in the hinge locking tab.
2. Unlatch and remove the hinge.

To reinstall the doors:

1. Align the pin in the hinge with the front of the mounting plate.
2. Snap the latch in place.
3. Swing the door back and forth several times to ensure the hinge is secure.

**Figure 23. Removing Doors**



# Doors

The console doors are adjustable for depth, height, and side-to-side alignment.



**NOTE** When making adjustments to the door hinges, use a #2 Pozidriv® screwdriver to avoid stripping the screws.

**Table 2. Console Door Adjustments**

To Adjust...	Do This...
A – Depth	Turn screw “A” on both the upper and lower door hinges until the door is in the desired position.
B – Height	Loosen screws “B” on both the upper and lower hinge mounting plate 1/4 turn. Move the door up or down to the desired position, then tighten the screws.
C – Side-to-side	Turn screw “C” on both the upper and lower door hinges until the door is in the desired position.

**Figure 24. Hinge Adjustment Screws**

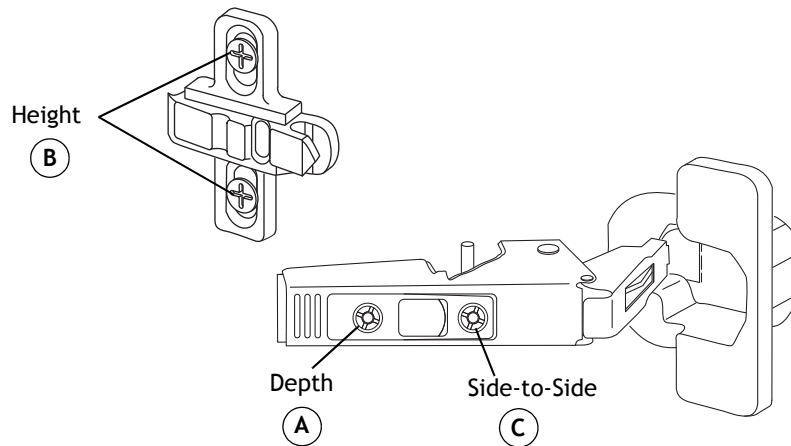
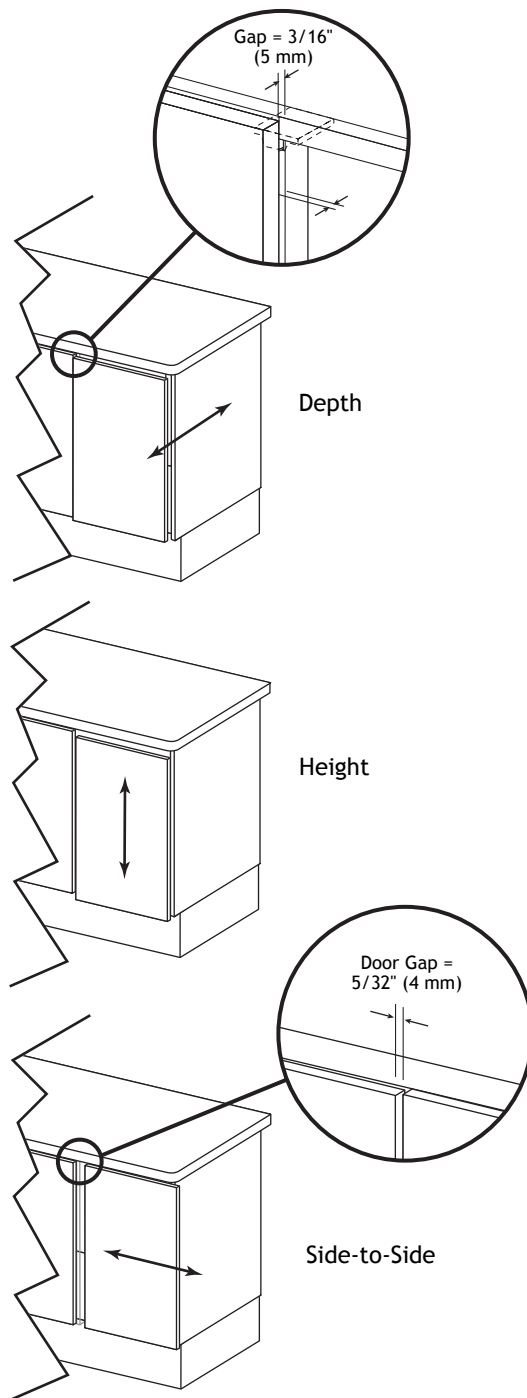




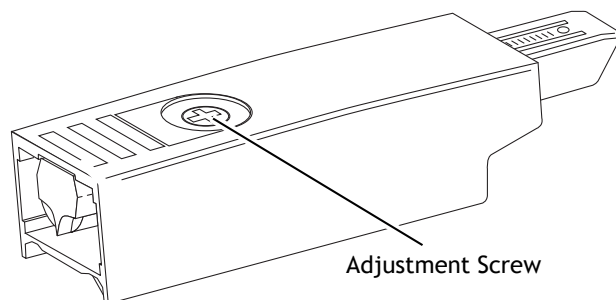
Figure 25. Door Adjustment



## Soft-Close Adjustment

To increase the soft-close dampening, turn the adjustment screw counterclockwise.

Figure 26. Soft Close Adjustment



---

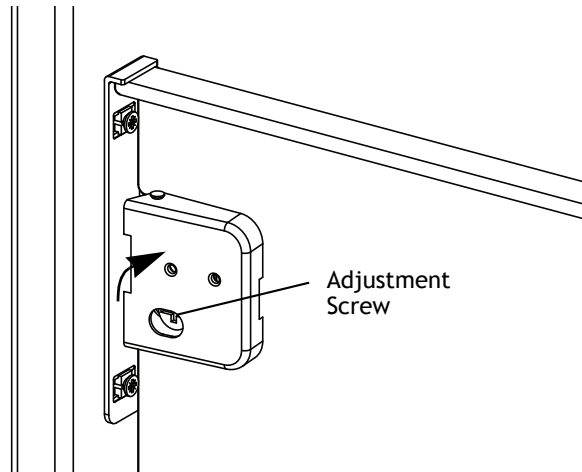
**NOTE** The soft close device can be over extended causing it to stick. Turn the adjustment screw clockwise until the mechanism releases.

---

## Drawer Fronts

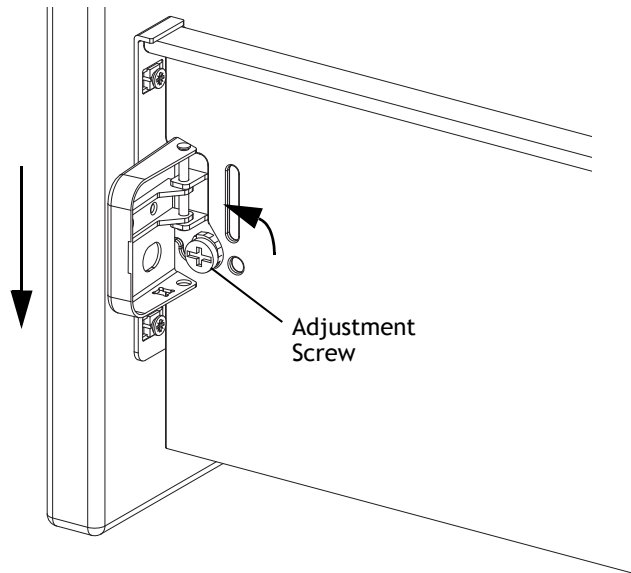
1. To move the drawer front up, turn the screw in the hinge clamp clockwise.

**Figure 27. Adjust Drawer Front Up**



2. To move the drawer front down, open the hinge with a screwdriver, turn the screw counterclockwise, and push the drawer front down.

**Figure 28. Adjust Drawer Front Down**



3. Close the clamp and turn the screw clockwise until the drawer front is in the desired position.

## Foot-Activated Doors

You can easily adjust the foot-activated upper storage doors to close in line with the side of the cabinet:

1. Loosen the screw in the slotted hole of the wedge.
2. Slide the wedge until the door is in the desired position, and tighten the screw.
3. Drill a pilot hole (1/8" or 3 mm dia.) in the untapped hole of the wedge.
4. Install a locking screw to secure the wedge.

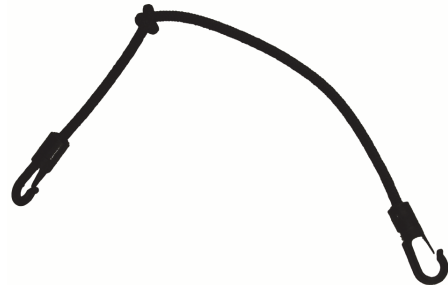
**Figure 29. Foot-Activated Door Wedge**



## Knee-Activated Drawers

Two bungee cords in the knee-activated drawers create the tension necessary to have the drawers open when you press them with your knee. If your drawer needs more spring, tie a knot in each bungee. Bungees are located behind the drawer.

**Figure 30. Knotted Bungee**

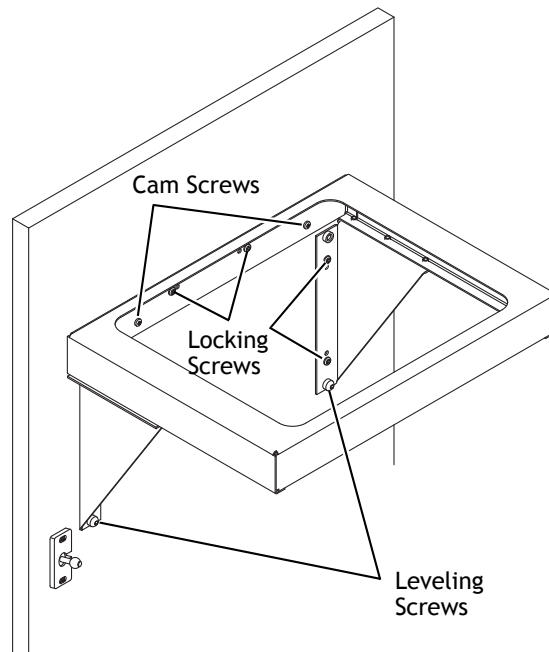


## Knee-Activated Drawer Fronts

To even up gaps between the knee-activated drawer front and surrounding doors, drawers, and end panels:

1. Loosen the locking screws from the drawer front.
2. Turn the leveling screws in to push the drawer out at the bottom.
3. Remove the leveling screws and install them in the top position.
4. Turn the leveling screws in to push the drawer out at the top.
5. Tighten the locking screws.

**Figure 31. Adjust Knee-Activated Drawer and Door Fronts**



## Knee-Activated Door Front

For side-to-side and top-to-bottom adjustment of the knee-activated door front:

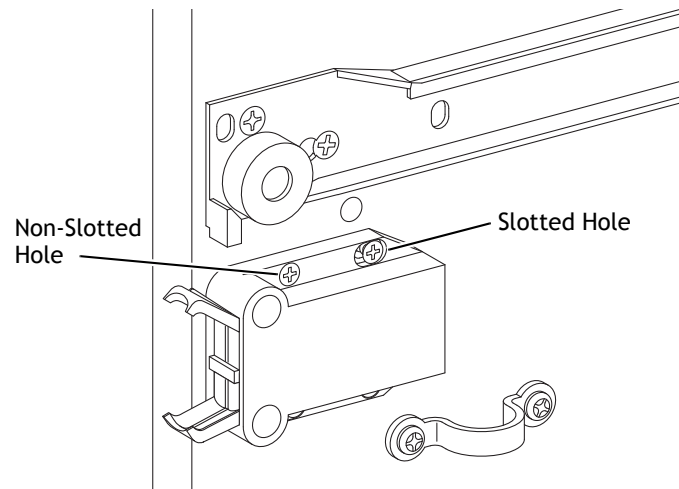
1. Remove the locking screws (see Figure 31).
2. Loosen the cam screws.
3. Position the front panel so it has 5/32" (4 mm) gap above and 3/32" (2 mm) gap on both sides.
4. Tighten the cam screws. Verify the panel is still in the correct position.
5. Drill a 1/16" (1.6 mm) pilot hole in the untapped holes and install the locking screws to secure the front panel in place.

## Knee-Activated Drawer Latches

To adjust the drawer cricket touch latches:

1. Remove the locking screws from the non-slotted holes in the latch.
2. Loosen the screws in the slotted holes.
3. Position the latch to catch the drawer front at the desired distance from the cabinet.
4. Tighten the screws in the slotted holes.
5. Drill 1/16" (1.6 mm) pilot holes and attach the locking screws to secure the latch in place.

**Figure 32. Adjust Knee-Activated Drawer Latches**



## Dryer Front

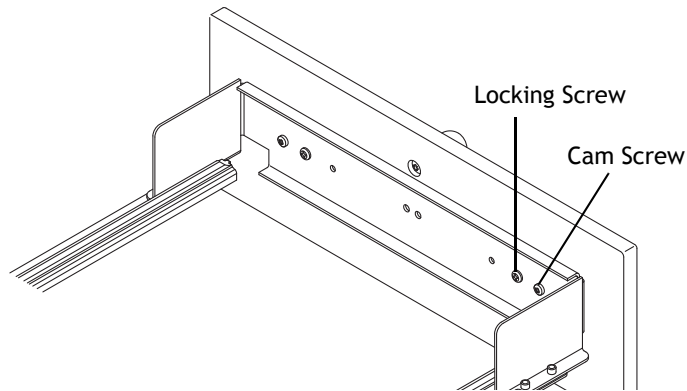
The dryer face adjusts similarly to the knee-activated door front (see Figure 31 on page 25).

1. Loosen the four existing cam screws slightly.
2. Position the front panel so it has 5/32" (4 mm) gap above, and 3/32" (2 mm) gap on both sides.
3. Tighten the cam screws. Verify the panel is still in the correct position.
4. Drill a 1/16" (1.6 mm) pilot hole in the untapped holes and install the locking screws to secure the front panel in place.

## Tub Drawer Fronts

1. Remove the inner two locking screws.
2. Loosen the outer two cam screws.
3. Position the front panel so it has  $5/32$ " (4 mm) gap above and below, and  $3/32$ " (2 mm) gap on both sides.
4. Tighten the cam screws. Verify the panel is still in the correct position.
5. Drill a  $1/16$ " (1.6 mm) pilot hole in the untapped holes and install the locking screws to secure the front panel in place.

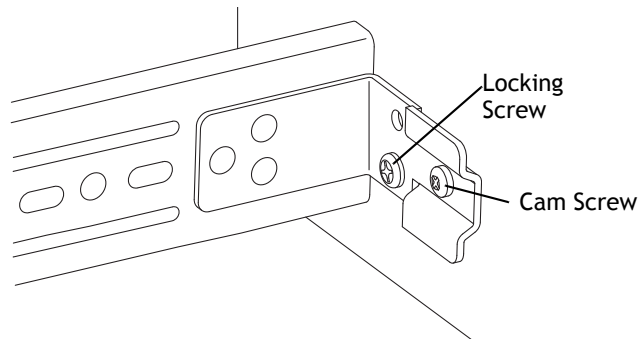
**Figure 33. Remove the Inner Locking Screws**



## Tray Drawer Fronts

1. Remove the locking screw from each bracket.
2. Loosen the cam screw on each bracket.
3. Position the front panel so it has  $5/32$ " (4 mm) gap above and below, and  $3/32$ " (2 mm) gap on both sides.
4. Tighten the cam screws. Verify the panel is still in the correct position.
5. Drill a  $1/16$ " (1.6 mm) pilot hole in the untapped holes and install the locking screws to secure the front panel in place.

**Figure 34. Remove the Locking Screws**



## Water Shutoff Valves

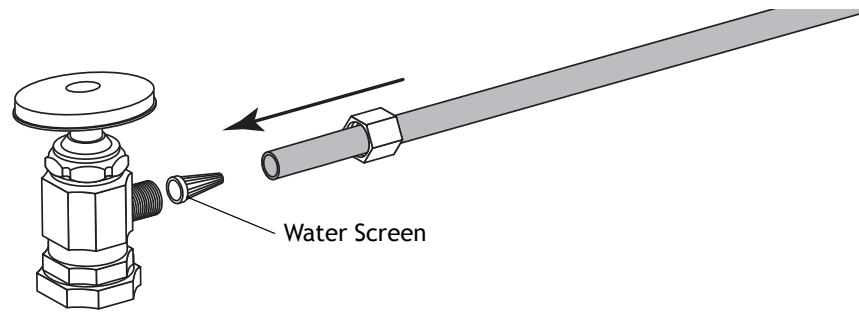
Preference ICC modules with wash stations require water shutoff valves. The water shutoff valves, located in the subbase, control the flow of water to the sink faucets.

If the flow of water to a faucet is restricted, the water shutoff valve may have a water screen that has filled with debris.

To check for a clogged water screen:

1. Turn off the valve.
2. Use a 5/8" open-end or an adjustable wrench to loosen the nut.
3. If a water screen is present and found to be clogged, replace it.

**Figure 35. Water Shutoff Valve**





# Cleaning Surfaces

## Solid Surface

Use warm water and mild soaps to clean solid surface countertops. Non-abrasive household cleaners such as Fantastik® and Formula 409® may also be used. Cleaning products with bleaching agents should not be used on solid surface. Large quantities of these agents and extended periods of exposure may cause discoloration. Abrasive cleaners (such as Comet®, Soft Scrub®, Bon Ami®, etc.) should not be used on solid surface except for removing tough stains, minor scratches, and burns.

If a stain develops on the surface, wipe it away with soap and water or glass cleaner. If a stain doesn't respond to soap and water and your surface has a matte finish, apply an abrasive cleanser and buff with a purple Scotch-Brite® pad (#744B) using a circular motion. The same technique can be used for burns, minor cuts, and scratches.




---

**CAUTION** Do not expose the surface to harsh chemicals. If these chemicals come in contact with the surface, immediately wash them off with water, using appropriate safety measures to avoid injury.

---

## Laminate

To clean a laminate surface, use a damp cloth or a sponge and a mild soap or detergent. Difficult stains can be removed using a mild household cleaner/detergent and a soft bristle brush, repeating as necessary. If a stain persists, use a paste of baking soda and water, apply with a soft bristled brush. Light scrubbing for 10-20 seconds should remove most stains.




---

**CAUTION** Although baking soda is low abrasive, excessive scrubbing or exerting too much force could damage the decorative surface, especially if it has a high gloss finish. Cleaner containing lye, steel wool or other abrasives will permanently damage any laminate surface.

---

## Quartz

To maintain Quartz surfaces, simply wash with a soft cotton cloth and warm water, using a mild soap if desired.




---

**CAUTION** Do not use abrasive or strong alkaline or acid (high or low pH) cleaners such as bleach, oven cleaners, Comet®, Soft Scrub®, SOS®, products with pumice, paint removers, furniture strippers, tarnish or silver cleaners. Do not use abrasive or harsh scrub pads and do not apply any sealers, penetrants or topical treatments to the Quartz surface under any circumstances. Such products will wear off and cause the gloss to appear dull or inconsistent.

---

## Cleaning the Preference ICC Dryer

Use a soft cloth and warm soapy water to wipe the interior of the dryer clean, then dry it using a soft clean cloth. Do not pour any liquids into the dryer for cleaning.



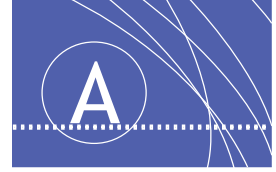
---

**CAUTION** Accumulation of water and other liquids in the dryer can compromise the electronics. Do not allow water or cleaning liquids to accumulate in the bottom of the unit, which can damage the dryer.

---

## Asepsis Recommendations

For additional recommended asepsis instructions, refer to the *A-dec Equipment Asepsis Guide* (p/n 85.0696.00), which came with your Preference ICC sterilization center.



# APPENDIX: WARRANTY

## Warranty

Warranty information is provided in the *Regulatory Information, Specifications, and Warranty* document (p/n 86.0221.00), which is available in the Document Library at [www.a-dec.com](http://www.a-dec.com).



**A-dec Headquarters**

2601 Crestview Drive  
Newberg, Oregon 97132  
United States  
Tel: 1.800.547.1883 within USA/CAN  
Tel: +1.503.538.7478 outside USA/CAN  
Fax: 1.503.538.0276  
[www.a-dec.com](http://www.a-dec.com)

**A-dec Australia**

Unit 8  
5-9 Ricketty Street  
Mascot, NSW 2020  
Australia  
Tel: 1.800.225.010 within AUS  
Tel: +61.(0).2.8332.4000 outside AUS

**A-dec China**

A-dec (Hangzhou) Dental Equipment Co., Ltd.  
528 Shunfeng Road  
Qianjiang Economic Development Zone  
Hangzhou 311106, Zhejiang, China  
Tel: 400.600.5434 within China  
Tel: +86.571.89026088 outside China

**A-dec United Kingdom**

*EU Authorized Representative*  
Austin House, 11 Liberty Way  
Nuneaton, Warwickshire CV11 6RZ  
England  
Tel: 0800.ADEC.UK (2332.85) within UK  
Tel: +44.(0).24.7635.0901 outside UK



86.0614.00 Rev G  
Copyright 2018 A-dec Inc.  
All rights reserved.