

Owner's Guide

DECADE[®]
1021 VAC
BACK CHAIR

A-dec warrants its products against defects in material or workmanship for one year from time of delivery (except for handpieces which have a warranty period of six months). A-dec's sole obligation under the warranty is to provide parts for the repair, or at its option, to provide the replacement product (excluding labor). The buyer shall have no other remedy. (All special, incidental, and coincidental damages are excluded.) Written notice of breach of warranty must be given to A-dec within the warranty period. The warranty does not cover damage resulting from improper installation or maintenance, accident or misuse. The warranty does not cover damage resulting from the use of cleaning, disinfecting or sterilization chemicals and processes. The warranty also does not cover light bulbs. Failure to follow instructions provided in A-dec's Operation and Maintenance Instructions (Owner's Guide) may void the warranty.

NO OTHER WARRANTIES AS TO
MERCHANTABILITY OR OTHERWISE ARE MADE



All product names used in this document are trademarks or registered trademarks of their respective holders.

Decade 1021 Vac Back Chair



Decade 1021 Vac Back Chair

CONTENTS

Operation

About Your Decade 1021 Vac Back Chair	2
Controls	2
Master On/Off Toggle	2
On/Off Indicator	3
Instruments and Accessories	3
Care Instructions	4
(Refer also to the <i>Equipment Asepsis Owner's Guide</i> , Publication No. 85-0696-00)	
Adjustments	5
Arm Adjustment	5
Syringe Air and Water Pressure	6

Maintenance

Troubleshooting	7
-----------------------	---

OPERATION

About Your Decade 1021 Vac Back Chair

Your Decade 1021 Vac Back chair is available in two configurations:

1. As part of an integrated delivery system that is connected into the regulated air and water supplies of an existing delivery system; or
2. As a free-standing delivery system that does not require air and water connections to an existing delivery system.

The Vac Back comes equipped with the following instrumentation: autoclavable saliva ejector, autoclavable high volume evacuator (HVE), autoclavable syringe, and solids collector.

Controls

Master On/Off Toggle (Free Standing Configuration Only)

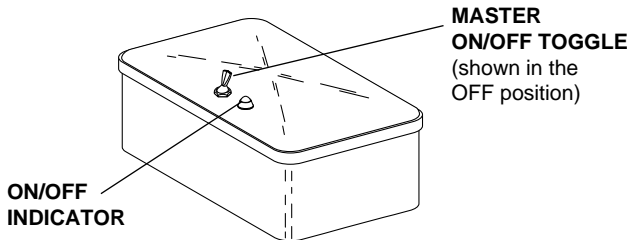


Figure 1. Master On/Off Toggle and Indicator

The Master On/Off toggle turns the water to the Vac Back chair ON or OFF. When the system is left unattended or is no longer in use, the Master On/Off Toggle should remain in the OFF position.

On/Off Indicator
(Free Standing Configuration Only)

When the Master On/Off toggle is in the ON position, the On/Off Indicator will be red, indicating that the unit is pressurized. *(This is not a lamp; the indicator is operated by air pressure.)*

The Master On/Off toggle and On/Off Indicator are located on the top of the floor box (See Figure 1) for free standing configurations only. For other configurations, the Master On/Off toggle can be found on the delivery system.

Instruments and Accessories

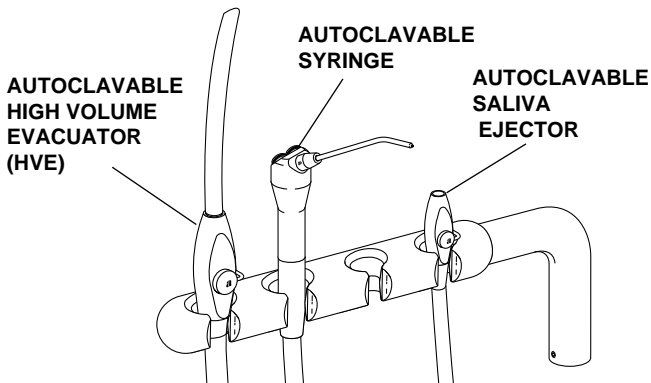


Figure 2. Assistant's Instrumentation

Autoclavable Syringe. The syringe on your Vac Back Chair is A-dec's autoclavable air and water syringe (see Figure 2).

Autoclavable Saliva Ejector. The saliva ejector is equipped with an on/off control valve (see Figure 2).

Autoclavable HVE. Your 1021 Vac Back comes with one (standard) or two (optional) autoclavable HVE(s) (see Figure 2).

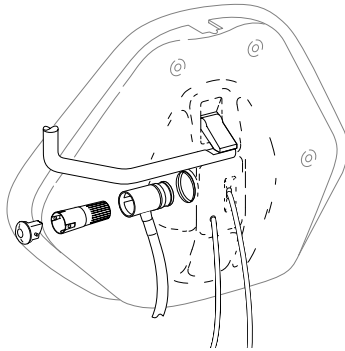


Figure 3. Solids Collector

Solids Collector. The solids collector, located on the chair back, collects solids and prevents them from entering the central vacuum system (see Figure 3).

For operating instructions, refer to your **Assistant's Instrumentation Owner's Guide** (A-dec Publication No. 85-2610-00).

Care Instructions

Your A-dec autoclavable syringe and vacuum instruments were designed for easy cleaning and infection control.

For vacuum instrument and syringe asepsis, refer to your **Assistant's Instrumentation Owner's Guide** (A-dec Publication No. 85-2610-00) and your **Autoclavable Syringe Owner's Guide** (A-dec Publication No. 85-0680-00)

For further asepsis instructions, refer to your **Equipment Asepsis Owner's Guide** (A-dec Publication No. 85-0696-00).

Adjustments

For system air and water adjustments, refer to your *Floor Boxes Owner's Guide* (A-dec Publication No. 85-2611-00).

Arm Adjustment

If the instrument holder arm on your chair starts to droop when all the instruments are in place, or if the arm swings too freely, an adjustment is necessary.

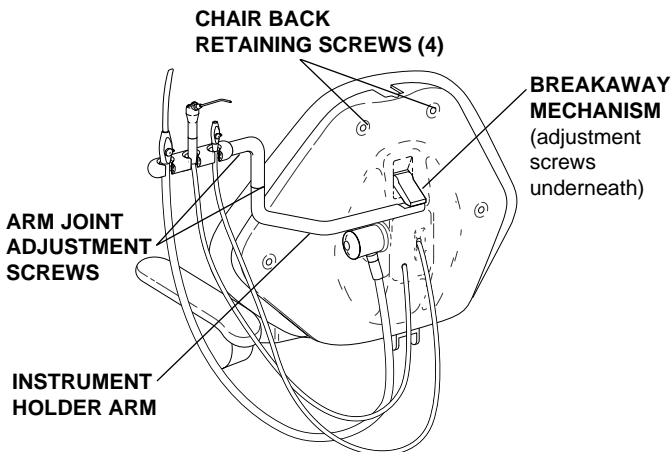


Figure 4. Arm Adjustment

To adjust the horizontal angle of the arm, lift the arm up and evenly tighten the break-away mechanism screws (see Figure 4) with a 5/32-inch hex key. Adjust arm to the desired position.

To adjust the tension at the joints of the arm (see Figure 4), use a 3/32-inch hex key and turn the adjustment screws clockwise to increase the tension, counterclockwise to reduce the tension.

Syringe Air and Water Pressure

Syringe air and water flow are controlled by two pinch valves in the chair back (see Figure 5). Remove the four chair back cover screws, then remove the cover to access the pinch valves (see Figure 4 on page 5).

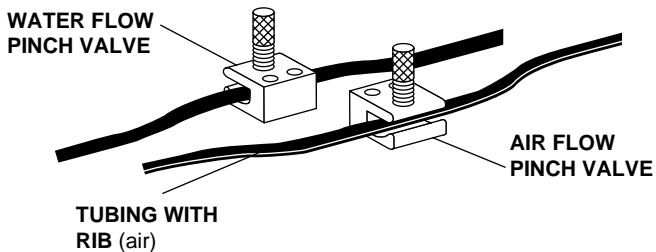


Figure 5. Syringe Pinch Valves

Move the Master On/Off toggle to the ON position and make sure there is air and water pressure to the syringe. To adjust the water flow, press the left syringe button and turn the water pinch valve clockwise to decrease flow or counterclockwise to increase flow. A strong water flow is recommended.

Push both syringe buttons (the spray position) and adjust the air flow pinch valve to achieve the desired spray.

MAINTENANCE

Troubleshooting

Given proper care, your Vac Back chair will provide years of reliable service. In the event that something does go wrong with the unit, this troubleshooting guide will tell you what to do before calling to have it serviced.

This guide is not intended to isolate every problem that could arise. Rather it is designed so you can quickly identify the problems that can be repaired without special training or equipment.

If the following procedures do not identify and correct the problem, then you should call your authorized A-dec dealer. Any time you call your dealer, be prepared to provide them with this information:

1. Model number*
2. Serial number*
3. Symptoms of the problem
4. What action you have taken toward correcting the problem

*The Vac Back chair model and serial number tag is located under the seat/toeboard, beside the spring. In all cases, the first four digits on the tag are the model number, the rest of the digits are the serial number.

No Air from the Syringe

1. Is the Master On/Off toggle in the ON position?
Yes: Proceed with Step 2.
No: Move the toggle to the ON position and retest.
2. Is the air compressor ON and operating properly?
Yes: Proceed with Step 3.
No: Correct any problems in the compressor, then retest the unit.
3. Is the manual air shutoff valve in the floor box fully OPEN (turned fully counterclockwise)?
Yes: Proceed with Step 4
No: Turn the valve fully counterclockwise, then retest the unit.
4. Is the syringe air flow pinch valve completely closed?
Yes: Turn the air flow adjustment screw counterclockwise to the desired flow, then retest the unit.
No: Look for pinched or crimped tubing between the floor box and the syringe.

No Water from the Syringe

1. Does the Indicator on the floor box turn red when the Master On/Off Toggle is in the ON position?
Yes: Proceed with Step 2 on page 9.
No: Make sure signal air is reaching the air-actuated water shutoff valve. Look for pinched or crimped signal air tubing.

2. Is the manual water shutoff valve in the floor box fully OPEN (refer to your **Floor Boxes Owner's Guide**, Publication No. 85-2611-00)?

Yes: Proceed with Step 3.

No: Turn the valve fully counterclockwise, then retest the syringe.

3. Remove and inspect the water filter screen (refer to your **Floor Boxes Owner's Guide**, Publication No. 85-2611-00). Is the screen clogged?

Yes: Replace the filter and retest the syringe.

No: Look for pinched or crimped tubing between the floor box and the syringe.

4. Is the syringe water flow pinch valve completely closed?

Yes: Turn the water flow adjustment screw counterclockwise to the desired flow, then retest the unit.

No: Look for pinched or crimped tubing between the floor box and the syringe.

Inadequate or No Vacuum

1. Is the central vacuum turned on?

Yes: Proceed with Step 2.

No: Turn on the central vacuum and retest.

2. Remove and inspect the solids collector screen (refer to page 4). Is the screen clogged with debris?

Yes: Clean the screen and retest.

No: The vacuum supply to the Decade 1021 Vac Back Chair is clogged. Contact your authorized A-dec dealer for assistance.

If the preceding steps failed to correct the problem, contact your authorized A-dec dealer for further recommendations.

Notes



2601 Crestview Drive
Newberg, Oregon 97132 U.S.A.
Telephone 1-800-547-1883
(503) 538-7478
Fax (503) 538-0276

