



WATER FLUSH CUP

OPERATION AND MAINTENANCE INSTRUCTIONS

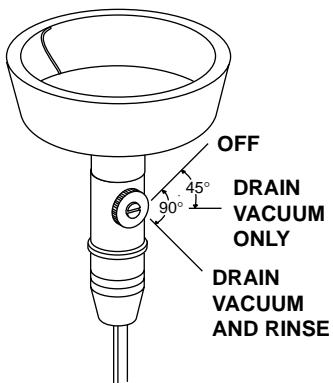


FIGURE 1

DESCRIPTION

The water flush cup is a self-rinsing, hand held vacuum flush cup that connects into the assistants vacuum system, in place of an HVE handpiece. The drain and bowl flush are both controlled by the same knob (refer to Figure 1).

Activate the drain by turning the knob about 45° clockwise, to the first stop. Turn the knob 90° clockwise to activate both the flush and the drain. When used with an Air Vacuum System, the water flush cup drain vacuum is turned on and off by means of toggle on the flush cup holder bracket.

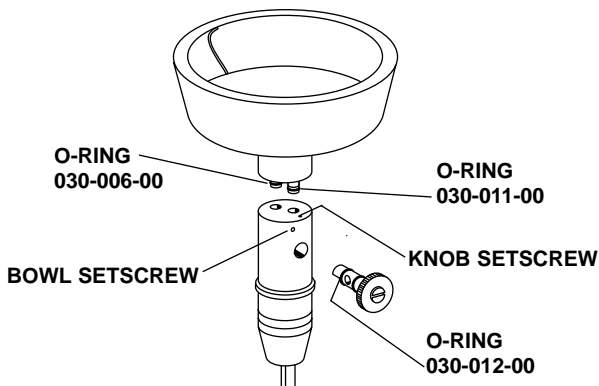


FIGURE 2

CARE OF THE FLUSH CUP

After each patient, thoroughly rinse the flush cup bowl, and wipe down the external surfaces with disinfectant. Once a day, clean the water flush cup with a solution of mild detergent.

To remove the bowl, if necessary, use a 1/16-inch hex wrench to loosen the setscrew, then pull the bowl from the handle (refer to Figure 2).

To remove the knob, first turn off the water and vacuum, and remove the bowl. Use a 1/16-inch hex wrench to loosen the setscrew, then pull the knob out of the handle.

PRECAUTIONARY NOTES

- Never use abrasive cleansers or scrubbing pads on the water flush cup. They may permanently damage the finish.
- Never autoclave any parts of the flush cup.
- The water flush cup should never be installed in a system that does not have provision for shutting off the water supply. All A-dec systems have this provision. The water should be turned off whenever the operator is unattended.



2601 CRESTVIEW DRIVE
NEWBERG, OREGON 97132 U.S.A.
TELEPHONE 1-800-547-1883
(503) 538-9471
FAX (503) 538-0276

85.0620.00
3/98
REV. B (7244)

Printed in USA
Copyright © 1998
All Rights Reserved