

A-dec® WS1 Water Control Valve

Product Models and Versions Covered in This Document*

Models	Versions	Description
WS1	A	Water Control Valve

*Equipment shown in this document may include optional features or accessories. Some product models, versions, and options in this document may not be available in certain regions.

Before You Begin

Check with local building and code authorities about installation requirements specific to your location.



CAUTION Local regulation may require licensed plumbers and electricians to install the utilities. All plumbing and utilities must conform to prevailing local codes.

Recommended Tools

- PTFE tape
- Channel lock pliers
- Torpedo level
- Drill and 3/32" (2 mm) bit
- Ratchet with 9/16" (13 mm) socket
- Canister wrench from kit

Installation Requirements



CAUTION The water control valve must not be installed on well water supplies without a chemical injection system; the system should only be used in chlorinated water supplies.

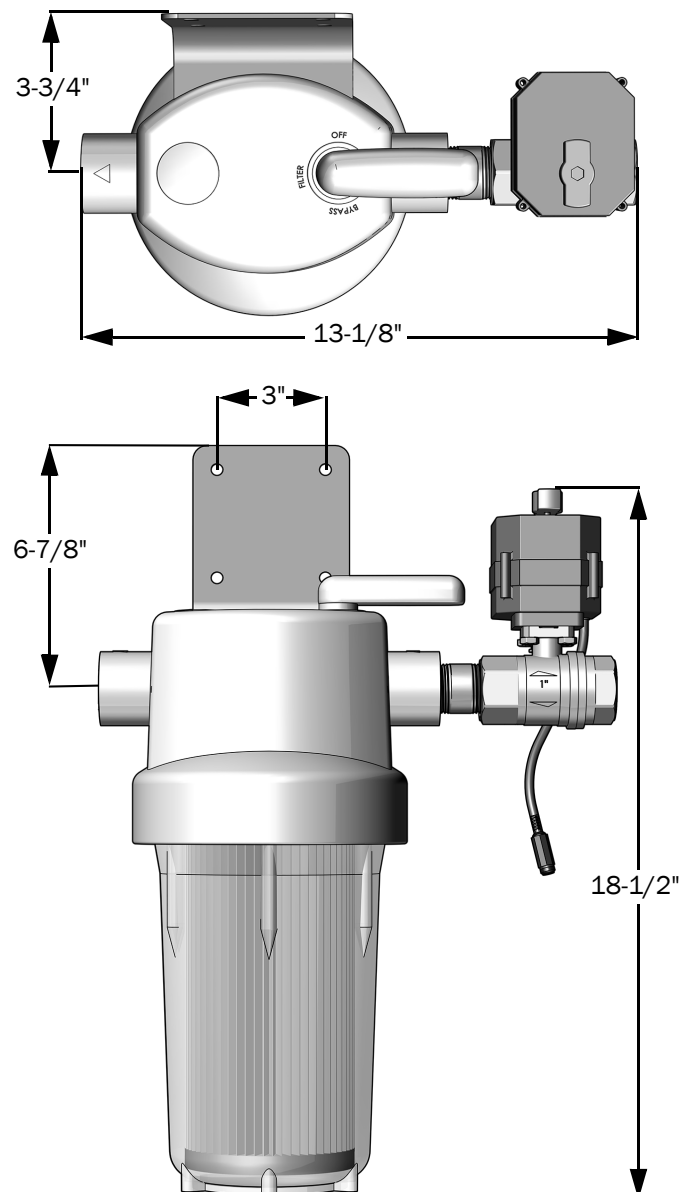


CAUTION Do not install the water control valve on a hot water line. The filter is rated for 40°F-100°F (4.4°C-37.8°C).

- Always install upstream of a water heater.
- The filter manufacturer requires feed water pressure to be 20 psi-100 psi (1.4 bar-6.9 bar). Consult a plumber if your water pressure is outside this range.
- Always install downstream of a pressure tank or pressure regulator.
- A water shut off valve should be installed upstream of the water control valve.

- Install vertically with the filter canister on the bottom. Allow a minimum of 2" under the filter to allow removal of the filter canister to change the cartridge.
- Protect the water control valve and filter from freezing.
- A 120 V AC outlet is needed within 5 ft of the water control valve.

Dimensions



Install the Water Control Valve on the Filter

1. Apply 4 to 5 clockwise wraps of PTFE tape to the threads on the water control valve.
2. Remove the red plug from the side of the filter labeled "IN" and screw the water control valve onto the filter, using channel lock pliers to snug it down.

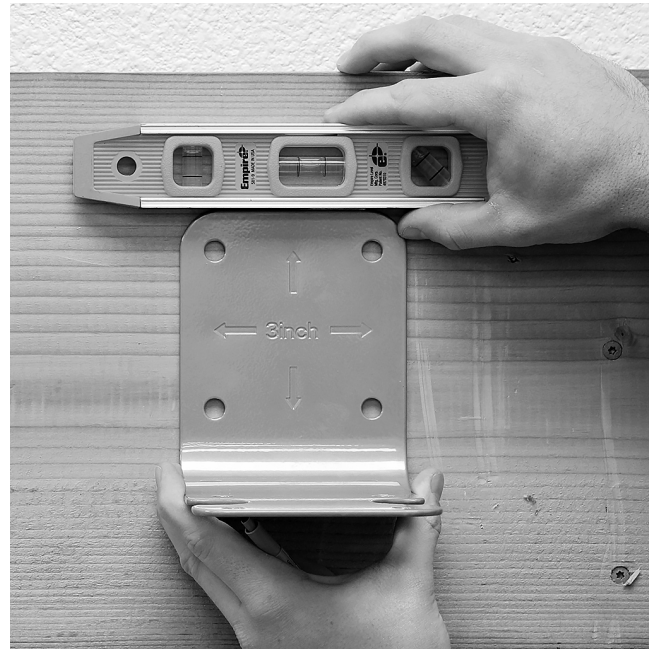


NOTE Do not remove the blue tag with water control valve instructions that is cable tied to the water control valve.



Mount the Filter on the Wall

1. Use the bracket as a template to mark the location of the four screws that secure the bracket to the wall.



2. Use a drill with a 3/32" (2 mm) bit to drill pilot holes at the marked locations.
3. Remove the handle from the filter by pulling firmly upwards.



4. Remove the cap from the filter head by pulling upwards.



CAUTION Do not use an impact driver to install the screws as the filter housing may crack.

5. Attach the bracket to the filter using a ratchet with a 9/16" (13 mm) socket and four 3/4" (19 mm) hex flange lag screws.



Actual Size



6. Attach the bracket to the wall using a ratchet with a 9/16" (13 mm) socket and four 3/4" (19 mm) lag screws. Ensure the filter is level before completely tightening the screws.



Actual Size



7. Reinstall the cap on the filter head.



8. Reinstall the handle on the filter.



Ensure the Filter Element is Properly Seated

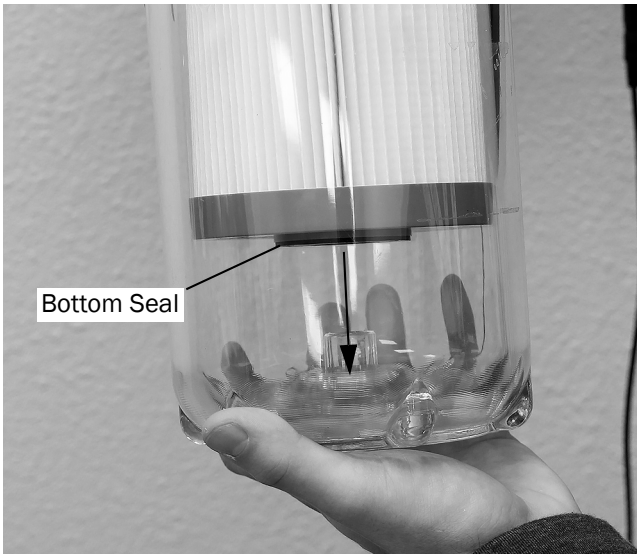


CAUTION Only use the supplied canister wrench on the filter canister. Use of other tools may crack the canister.

1. Use the supplied canister wrench to remove the filter canister by turning it clockwise.



2. Make sure the filter element is centered in the filter canister and the bottom seal is completely seated.



3. Reinstall the filter canister by turning it counterclockwise.





CAUTION Only use the supplied canister wrench or a strap wrench on the filter canister. Use of other tools may crack the filter canister.

4. Use the canister wrench to tighten down the filter canister.



Connect the Water Line Plumbing



CAUTION Local regulation may require licensed plumbers and electricians to install the utilities. All plumbing and utilities must conform to prevailing local codes.

Connect the water line plumbing to the water control valve and filter.

- A manual shut-off valve should be installed in the water line upstream of the water control valve.
- If the water line is 3/4", use the bushings included with the kit.



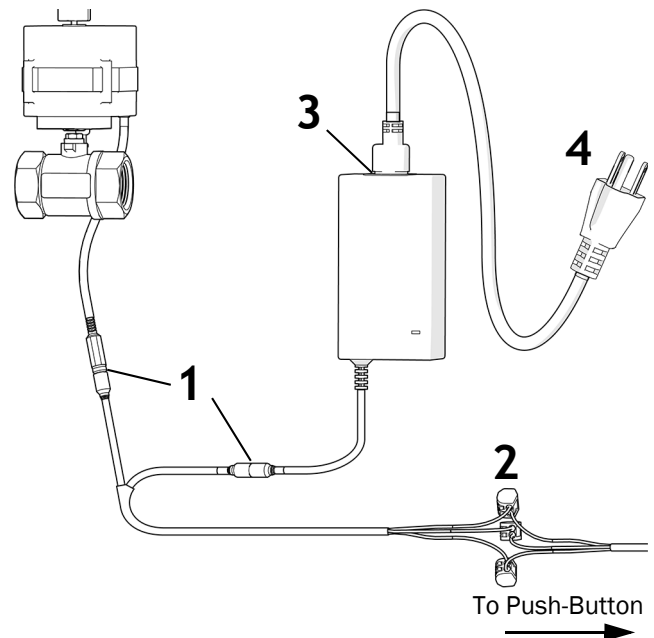
Bushing for
3/4" Water Line

Connect the Water Control Valve to Power and a Push-Button Control



NOTE See the *A-dec LED Push-Button Controls and Remote Monitoring Hub Installation Guide* (p/n 86.1022.00) for installation of A-dec LED push-button controls.

1. Connect the power connector pigtail to the water control valve and the 24 V DC power supply.
2. Connect the low voltage wiring from the push-button control to the wire connectors, matching the wire colors (blue = +24 V, gray = -light, black = run).
3. Connect the power supply power cord to the power supply.
4. Plug the power supply into a 120 V AC outlet.



Finish the Installation

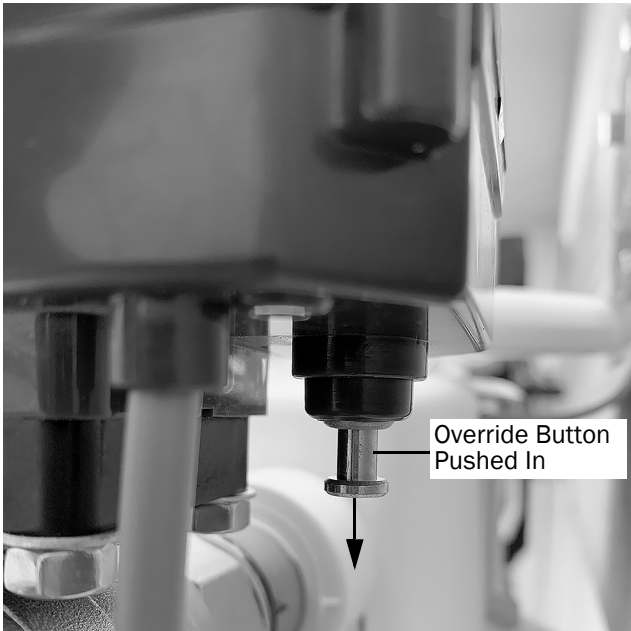


NOTE Additional operating instructions can be found in the *A-dec WS1 Water Control Valve Instructions for Use* (p/n 86.1112.00).



CAUTION If the water control valve override button located at the rear of the valve is pushed in, the valve will not close when power is cut to the valve. This can lead to flooding if any downstream plumbing fails.

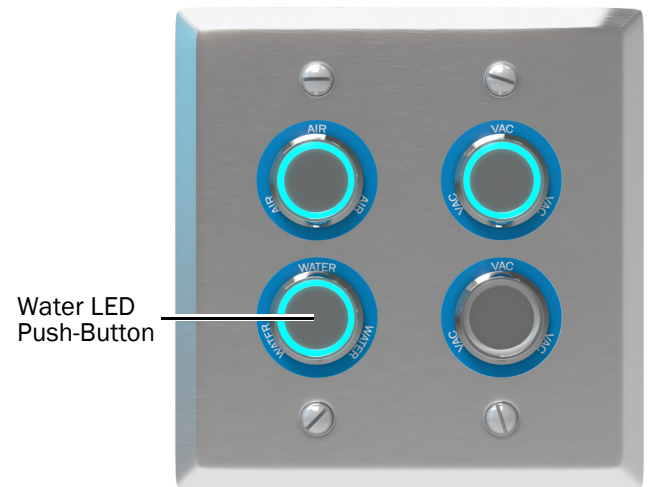
1. Ensure the override button on the rear of the water control valve is pulled out.



2. Ensure the water filter handle is set to the filter position.



3. Use the water push-button control to open the water control valve. The valve is open when the push-button is illuminated.



4. Slowly turn on the water supply and check the entire system for leaks.
5. Open any downstream faucet and flush the filter element for 10 minutes. Wait one hour, and then flush the filter element again for an additional 10 minutes.

6. Hang the canister wrench near the filter for future use.
7. Affix the maintenance sticker to the wall near the filter.



Regulatory Information and Warranty

For required regulatory information and the A-dec warranty, see the *Regulatory Information, Specifications, and Warranty* document (p/n 86.0221.00) available in the Resource Center at www.a-dec.com.



For quick access to this document online, scan, tap, or click this QR code, which points to a-dec.com/regulatory-guide.

All trademarks cited herein are trademarks or registered trademarks of A-dec, Inc. in the United States and may also be trademarks or registered trademarks in other countries.

A-dec Headquarters

2601 Crestview Drive
Newberg, OR 97132 USA
Tel: 1.800.547.1883 Within USA/CAN
Tel: +1.503.538.7478 Outside USA/CAN
www.a-dec.com

A-dec, Inc. makes no warranty of any kind with regard to the content in this document including, but not limited to, the implied warranties of merchantability and fitness for a particular purpose.



86.1109.00 Rev A
Date of Issue 2024-04-11
Copyright 2024 A-dec, Inc.
All rights reserved.
IGporeven20