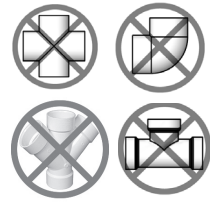


A-dec DV Dry Vacuum Quick Reference



Do Not Use These Fittings



Connection to the Main Trunk Line Kit
PVC Barbed 2"
PVC Bushing 1- 1/2" to 2"
PVC 45° Elbow 2" Qty 2
(for adapting to 1- 1/2" or 2")

Intake Hose
5' (trim to fit)
2" ID Hose, 2 3/8" OD
4- 1/4" Bend Radius

6' Electrical Cord

Drain Hose
5' (trim to fit)
1- 1/2" ID Tube, 1- 7/8" OD
2" Bend Radius
Terminating in Bare End

Exhaust Hose
10' (do not trim to fit)
2" Bend Radius
Terminating in 2" PVC
SLIP SOCKET
(2" PVC cements into fitting)

Drip Leg Hose 5'

Water Washdown Connection
1/4" push to connect
Note: May require backflow
preventer based on local code.

Recommended Drip Leg Fitting

2" Exhaust Pipe

Exhaust
Hose
Connection

2" PVC
SCH. 40

For exhaust systems
longer than 30' increase
to a 3" PVC pipe.

2" x 2" x 2" WYE

2" PVC Cut to
Length

Optional Drip
Leg Fitting

Roof Exhaust Vent
Shroud and Screen to Protect
From Rain and Animals

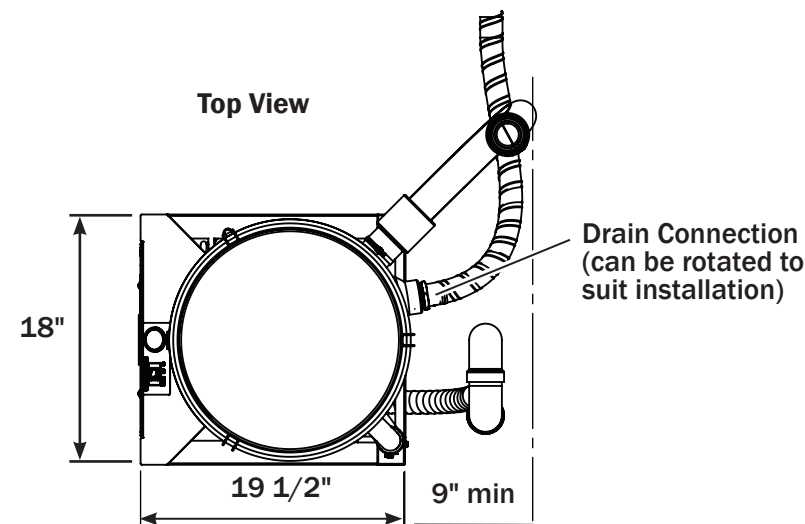
Exhaust Hose Notes:

- Retain the full length of the exhaust hose, 10'.
- Ensure there are no low spots or traps.
- Connect to 2" PVC.
- For exhaust systems longer than 30' increase to a 3" PVC pipe.
- Must be vented outside.

Drain Notes:

- Maximum 16" above floor sloped 1/2" per 10' towards floor drain.
- Air gap required if trap exists in drain piping, must be no greater than 8" above grade.

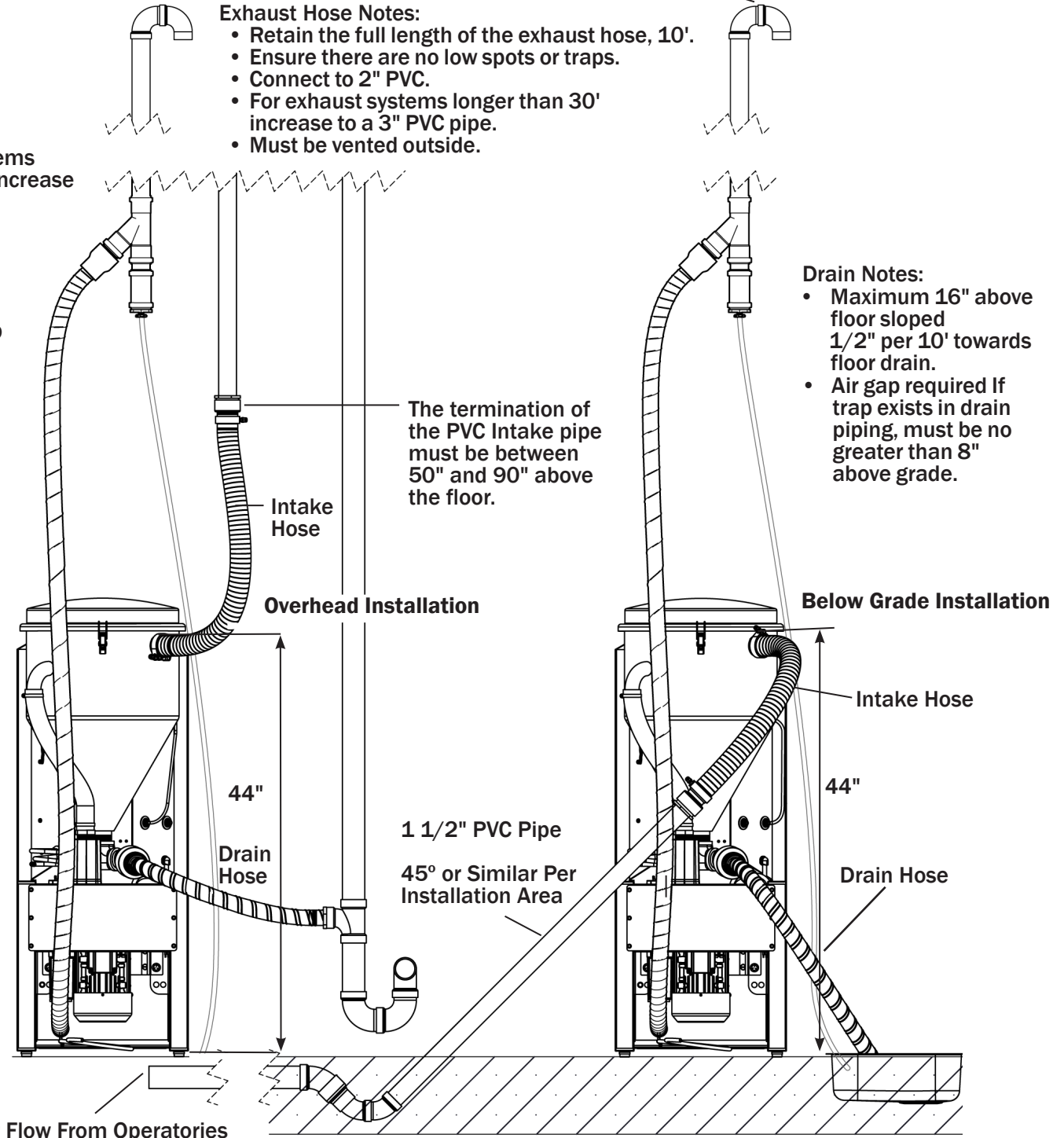
The termination of
the PVC Intake pipe
must be between
50" and 90" above
the floor.



Electrical Requirements

DV5	DV7	DV10	DV12
Required Circuit Breaker Size			
20 Amp	20 Amp	30 Amp	30 Amp
 Hard Wired Connection (Blue/Brown/Green/Green)			
Maximum Current Draw			
DV5	DV7	DV10	DV12
14.1 Amp	15 Amp	22 Amp	24 Amp
p/n E0275*			

* Acceptable voltage range is 200-240 VAC. Voltage outside of that range will require a buck-boost transformer.



CAUTION Local regulation may require licensed plumbers and electricians to install utilities. All plumbing and utilities must conform to prevailing local codes.

A-dec Headquarters

2601 Crestview Drive
Newberg, Oregon 97132
United States
Tel: 1.800.547.1883 within USA/CAN
Tel: +1.503.538.7478 outside USA/CAN
Fax: 1.503.538.0276
www.a-dec.com

For more information, including trunk and piping guidelines and the installation of dual vacuums, scan the appropriate QR code to access the *A-dec DV Dry Vacuum Pre-Installation Guide* (p/n 86.0896.00) and the *A-dec DV Dry Vacuum Installation Guide* (p/n 86.0891.00) available in the Resource Center at www.a-dec.com.



Pre-Installation Guide



Installation Guide



86.0893.00 Rev C
Date of Issue 2023-05-11
Copyright 2023 A-dec, Inc.
All rights reserved