



A-dec® 541 Duo Delivery System and 545 Assistant's Instrumentation

INSTALLATION GUIDE

Contents

Before You Begin	2
Install the Delivery System ..	3
Install the Water Bottle	6
Install the Indicator Light (300 W Power Supply only) ..	7
Connect the Data Line and Power Cables at a Cabinet ..	8
Connect the Remote Power Cables and Data Line at the Dental Chair	13
Connect the Tubing	23
Attach and Level the Round Worksurface	29
Install the Tray Holder	
Mount (optional)	32
Complete the Installation ..	34
Adjust the System	35
Customize Handpiece	
Touchpad Settings	41
Test the System	43
Attach the Hub Mount	
Cover and Cabinet Doors ..	44
Regulatory Information and Warranty	48



A-dec 541 12 O'Clock
Duo Delivery System



A-dec 545 12 O'Clock
Assistant's Instrumentation

Product Models and Versions Covered in This Document*

Models	Versions	Description
545	A	Assistant's Instrumentation
541	B	Delivery System
411	A	Dental Chair
311ft/511ft	n/a	Dental Chair
311/511	A/B	Dental Chair
391/393/591/5562/5580/5662	A	Dental Furniture

*Some product models, versions, and options in this document may not be available in certain regions.

Before You Begin

The instructions for installing the A-dec 541 Duo Delivery System and the A-dec 545 Assistant's Instrumentation are nearly the same. Minor differences are highlighted in the instructions.

Before starting the installation:

- Check with local building and code authorities about installation requirements specific to your location.
- Check that the manual air shut-off valve is installed.
- For information about dimensions, range of motion, and placing the utilities, see the following:
 - *A-dec 541 Duo Delivery System and 545 Assistant's Instrumentation Pre-Installation Guide* (p/n 86.0034.00)
 - *A-dec Inspire® Dental Furniture Pre-Installation Guide* (p/n 86.0528.00)
 - *Preference Collection® Dental Furniture Pre-Installation Guide* (p/n 86.0142.00)

Recommended Tools

- Diagonal cutters
- Hex key set
- Torpedo level
- Anti-static wrist strap
- Phillips head screwdriver
- Drill and drill bits
- Needle-nose pliers
- 3/4" socket (deep well) with 6" extension
- Voltmeter

Install the Delivery System

Install the Delivery System Mount

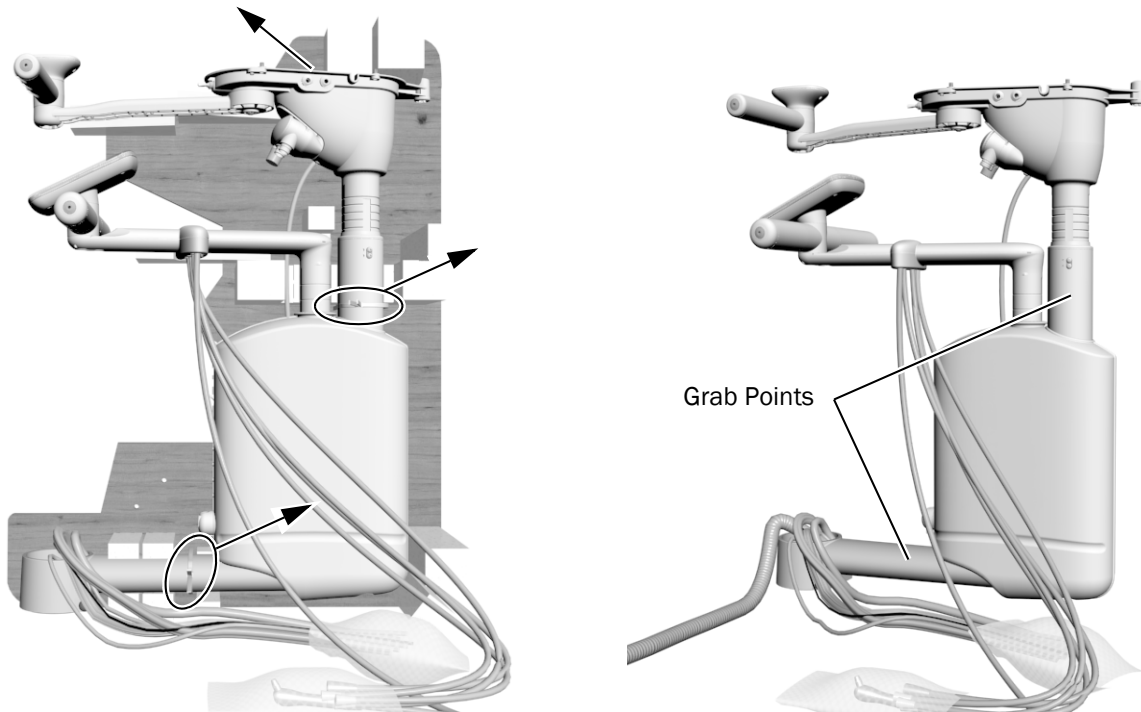
To install the 541/545 delivery system mount, refer to the *A-dec 341pro/341flt/541pro/545sta/541/545 Delivery System Mount Installation Guide* (p/n 86.0003.00) that ships with the mount.

Unpack the Delivery System

Recommended Tool

- Diagonal cutters

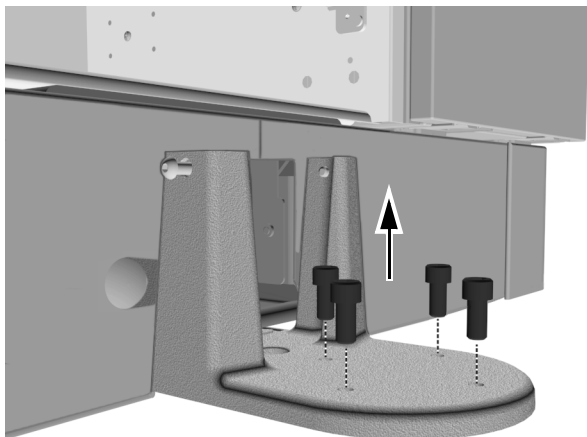
- 1** If installing on a cabinet, ensure the cabinet doors are not installed to provide clear access.
- 2** Cut the cable ties and remove the assembly from the pallet and box.



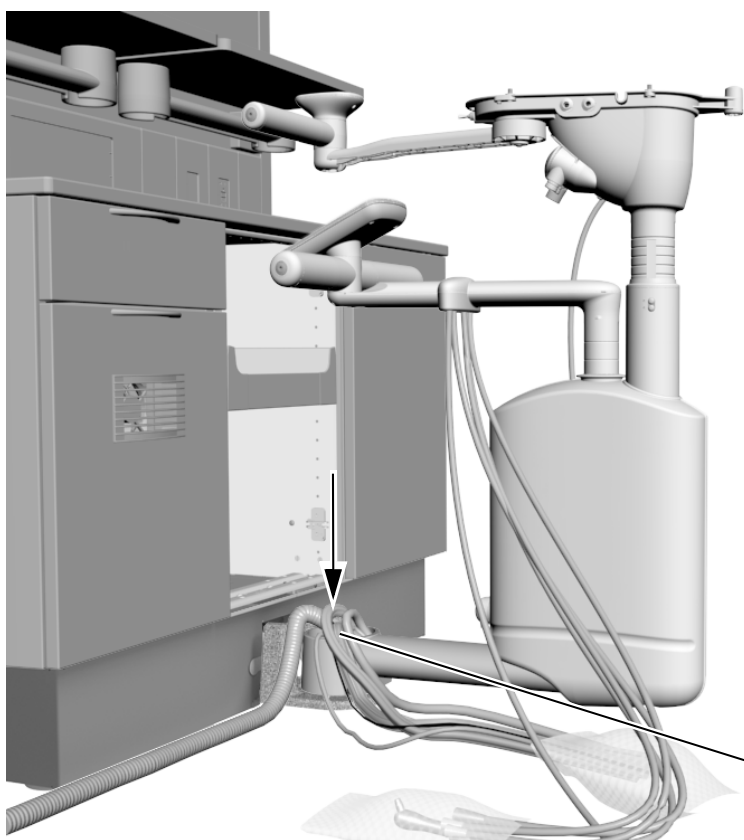
Install and Level the Arm Assembly

Recommended Tools

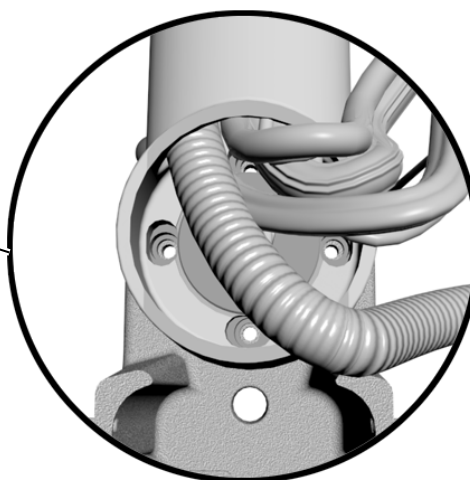
- 5/16" hex key
- Torpedo level



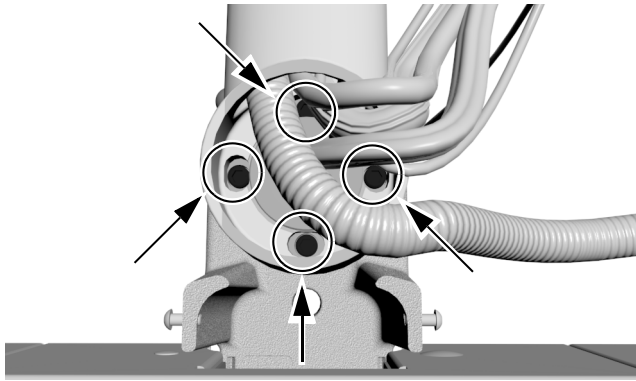
- 1** Use a 5/16" hex key to remove the four screws from the mount. Keep the screws to install the arm assembly.



- 2** Set the arm assembly on the mount. Make sure you can access the mount holes.



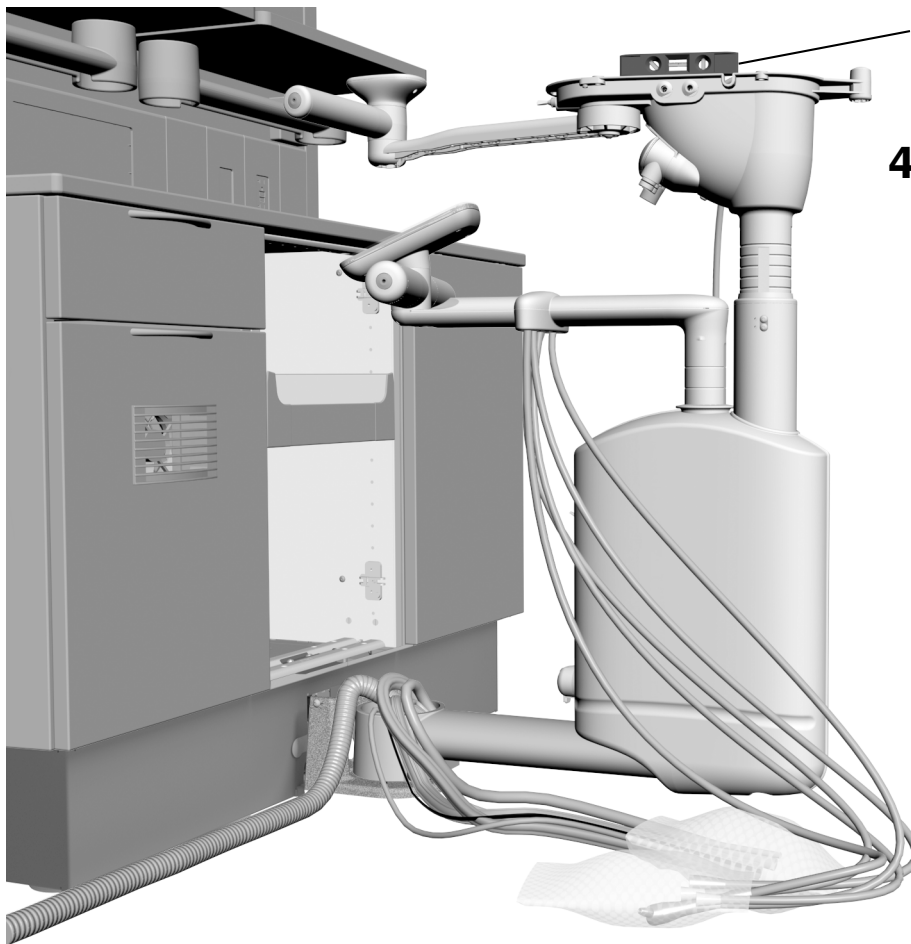
A-dec Inspire Cabinet Shown



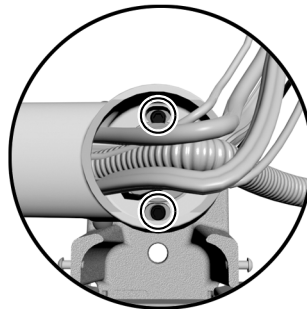
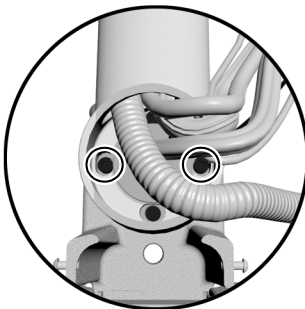
- 3** Use a 5/16" hex key to loosely install the four screws that you removed from step 1 in the mount holes.



TIP You may need to rotate the assembly to access all of the screws.



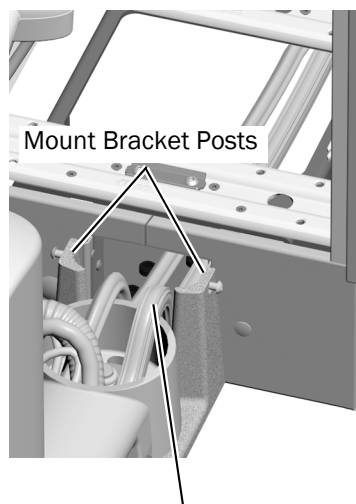
- 4** Place a level on the work surface casting.



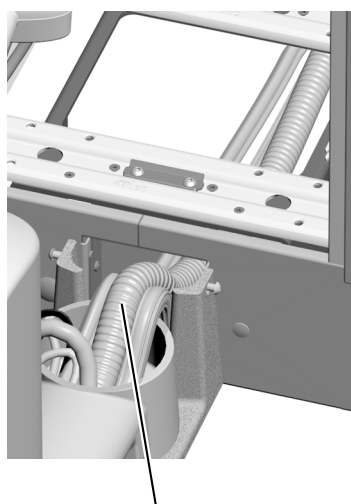
- 5** Level the hub by loosening and tightening the side-to-side mounting screws, as necessary.

Rotate the assembly and check the level. Loosen and tighten the front-to-back mounting screws, as necessary.

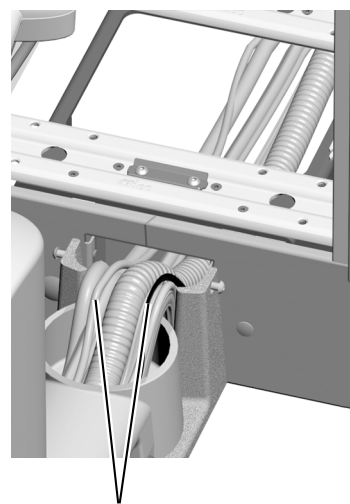
Route the Delivery System Cables and Tubing



- 1** Route the regulator assembly cable between the mount bracket posts and into the cabinet.



- 2** Route the vacuum line next.

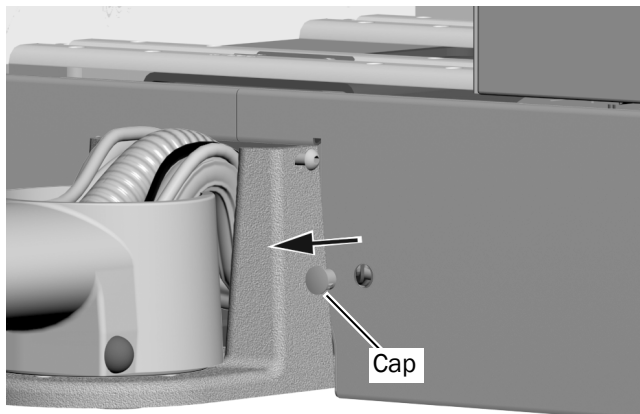


- 3** Route the rest of the cables. Ensure all tubing and cables are completely tucked between the posts and are straight, not crossed.

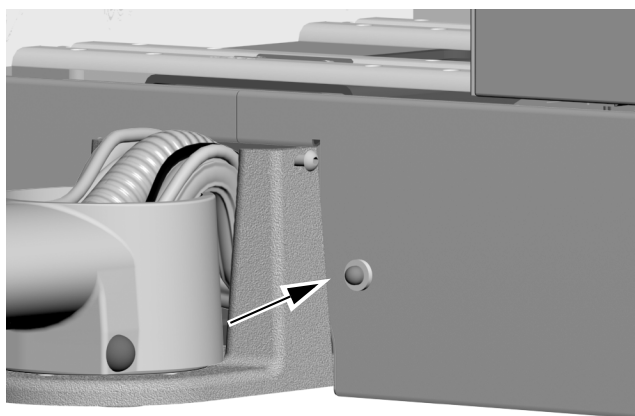
Install the Water Bottle

To install the remote mount water bottle, use the instructions that ship with the water bottle.

Install the Indicator Light (300 W Power Supply only)



- 1** Remove the cap from the indicator light opening in the cabinet.



- 2** Insert the indicator light into the opening.

Connect the Data Line and Power Cables at a Cabinet

Connect the Data Line at a Cabinet

Complete the instructions for the system's configuration:

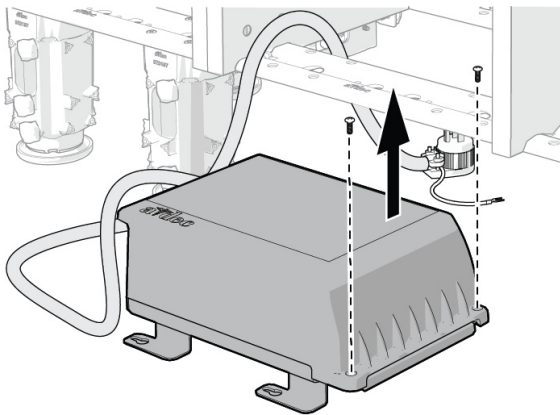
Connect the Data Line from an A-dec 541/545 to an A-dec Inspire Distribution Box	8
Connect the Data Line from an A-dec 541/545 to a Preference Cabinet or Non-A-dec Cabinet/Chair	9

Connect the Data Line from an A-dec 541/545 to an A-dec Inspire Distribution Box

Recommended Tool

- Phillips head screwdriver

1. Use a Phillips head screwdriver to remove the two screws securing the lid of the distribution box.

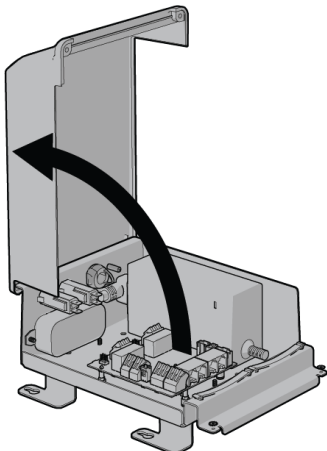


ATTENTION Circuit boards are sensitive to static electricity. Electrostatic Discharge (ESD) precautions are required when touching a circuit board or making connections to or from the circuit board. Circuit boards should be installed only by an electrician or qualified service person.

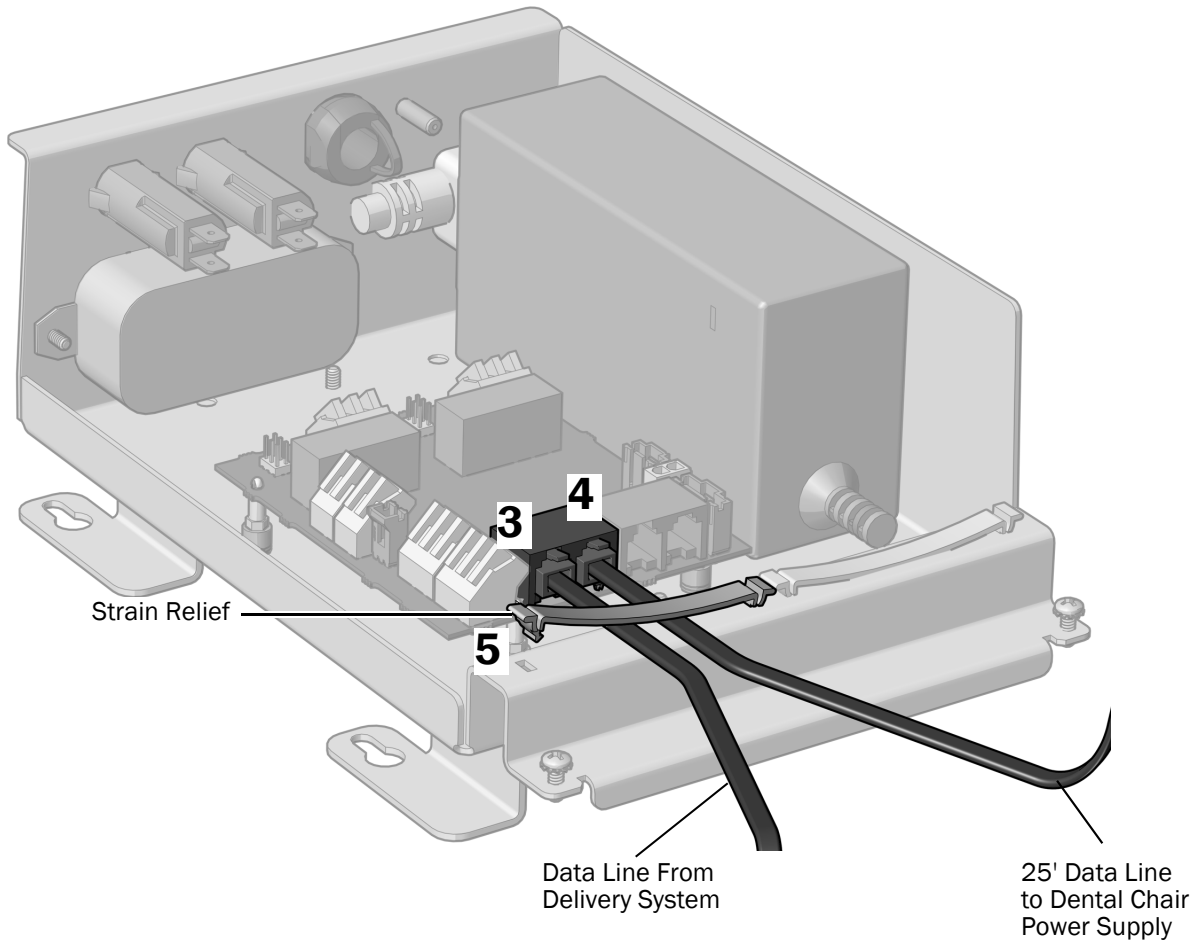


WARNING Shock hazard. When you remove or replace the covers, take care not to damage any wiring or tubing. Verify that the covers are secure after you replace them.

2. Remove the cover.



3. Plug in the data line from the delivery system. It does not matter which data port the line is plugged into.
4. Plug in the 25' data line. It does not matter which data port the 25' line is plugged into.



5. Secure the data lines under the strain relief.
6. Route the 25' data line to the dental chair power supply.

Next Step See "Connect the Power Cables at a Cabinet" on page 10.

Connect the Data Line from an A-dec 541/545 to a Preference Cabinet or Non-A-dec Cabinet/Chair

Use a cable splitter to connect the data line from the delivery system to the 25' data line from the kit.

Connect the Power Cables at a Cabinet



WARNING Failure to turn off or disconnect the power before you begin this procedure can lead to product damage and result in serious injury or death.

1. Turn off power to the system.

Complete the instructions for the system's configuration:

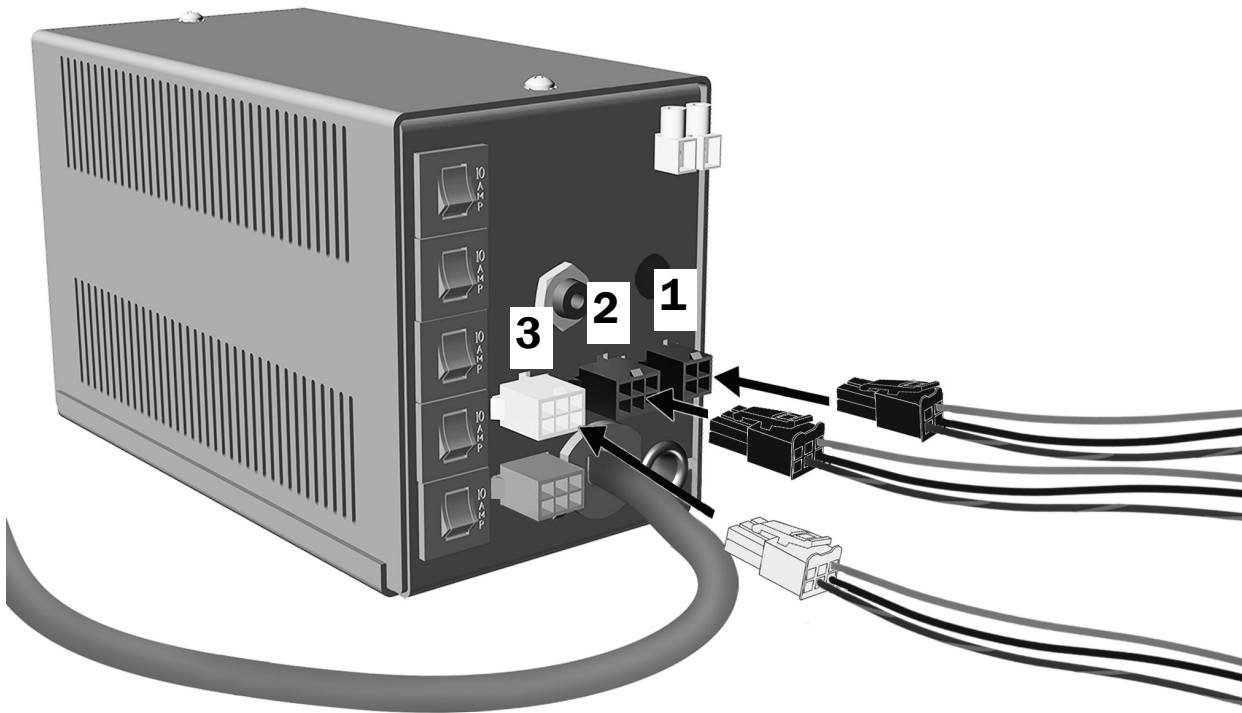
Connect the Power Cables to an A-dec 300 W Stand-Alone Power Supply	10
Connect a Power Cable to a Remote Power Cable	12

Connect the Power Cables to an A-dec 300 W Stand-Alone Power Supply

Complete the instructions for the product you are installing:

Connect the Power Cables from an A-dec 541 to an A-dec 300 W Stand-Alone Power Supply	10
Connect the Power Cables from an A-dec 545 to an A-dec 300 W Stand-Alone Power Supply	11

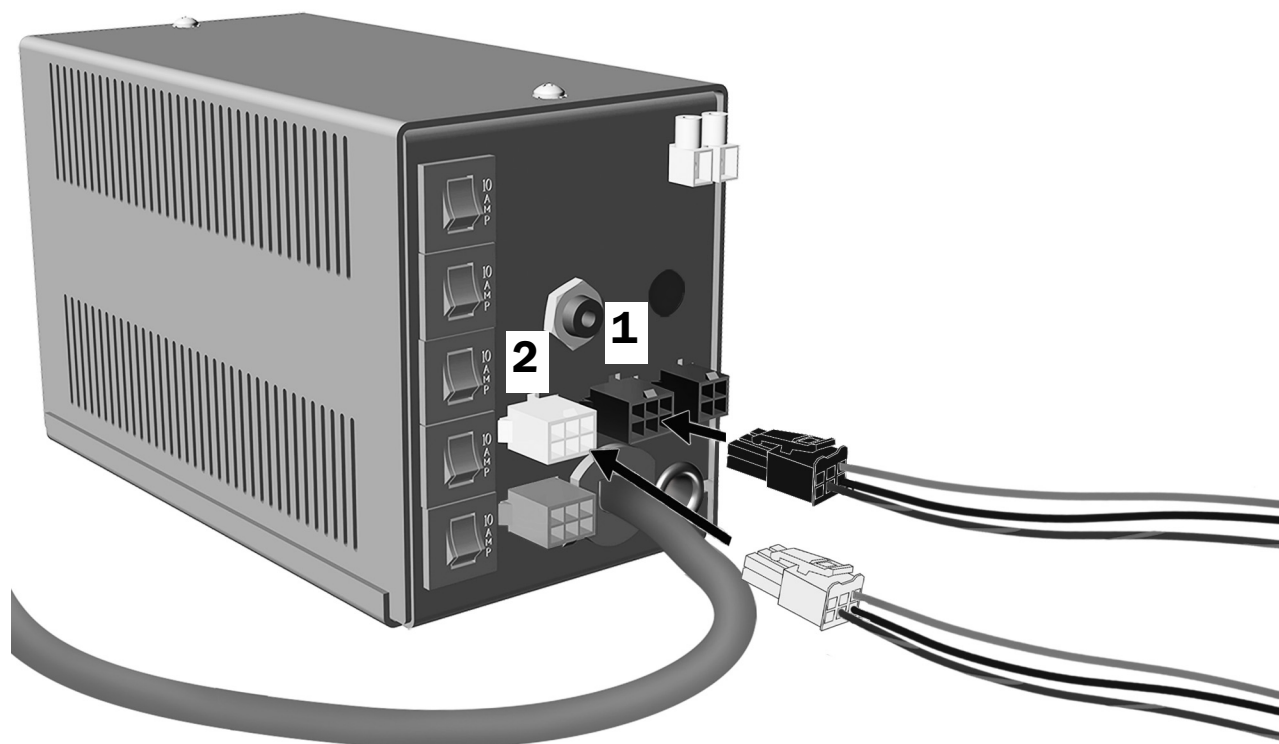
Connect the Power Cables from an A-dec 541 to an A-dec 300 W Stand-Alone Power Supply



1. Connect the 4-position connector from the delivery system to the power supply.
2. Connect the 6-position connector from the assistant's instrumentation to the power supply.
3. Connect the indicator light connector to the power supply.

Next Step See "Connect the Remote Power Cables and Data Line at the Dental Chair" on page 13.

Connect the Power Cables from an A-dec 545 to an A-dec 300 W Stand-Alone Power Supply



1. Connect the 6-position connector from the assistant's instrumentation to the power supply.
2. Connect the indicator light connector to the power supply.

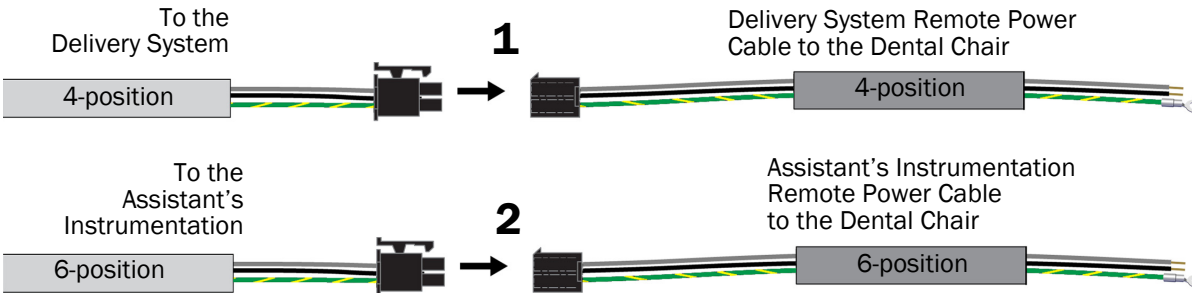
Next Step See "Connect the Remote Power Cables and Data Line at the Dental Chair" on page 13.

Connect a Power Cable to a Remote Power Cable

Complete the instructions for the product you are installing:

Connect the A-dec 541 Power Cables to Remote Power Cables	12
Connect the A-dec 545 Power Cable to a Remote Power Cable	12

Connect the A-dec 541 Power Cables to Remote Power Cables



1. Connect the 4-position connector from the delivery system to the connector on the delivery system remote power cable.
2. Connect the 6-position connector from the assistant's instrumentation to the connector on the assistant's instrumentation remote power cable.
3. Route the remote power cables to the dental chair power supply.

Next Step See "Connect the Remote Power Cables and Data Line at the Dental Chair" on page 13.

Connect the A-dec 545 Power Cable to a Remote Power Cable



1. Connect the 6-position connector from the assistant's instrumentation to the connector on the assistant's instrumentation remote power cable.
2. Route the remote power cable to the dental chair power supply.

Connect the Remote Power Cables and Data Line at the Dental Chair



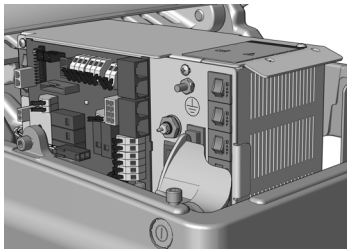
ATTENTION Circuit boards are sensitive to static electricity. Electrostatic Discharge (ESD) precautions are required when touching a circuit board or making connections to or from the circuit board. Circuit boards should be installed only by an electrician or qualified service person.



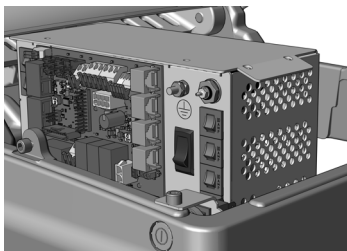
WARNING Failure to turn off or disconnect the power before you begin this procedure can lead to product damage and result in serious injury or death.

1. Turn off the power to the chair.

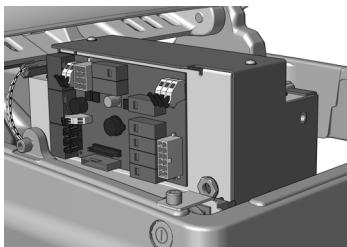
Complete the instructions for the system's configuration:



Connect the Remote Power Cables and Data Line To an A-dec Universal Power Supply Manufactured After June 2023 14



Connect the Remote Power Cables and Data Line to an A-dec 311/411 Power Supply Manufactured Before June 2023 16



Connect the Remote Power Cables and Data Line to an A-dec 511 Power Supply Manufactured Before June 2023 18



Connect the Power Cables and Data Line Used With an A-dec 300 W Stand-Alone Power Supply 22

Connect the Remote Power Cables and Data Line To an A-dec Universal Power Supply Manufactured After June 2023

Recommended Tool

- 3/8" combination wrench

Complete the instructions for the product you are installing:

Connect A-dec 541 Remote Power Cables and Data Line to an A-dec Universal Power Supply	14
Connect A-dec 545 Remote Power Cable and Data Line to an A-dec Universal Power Supply	15

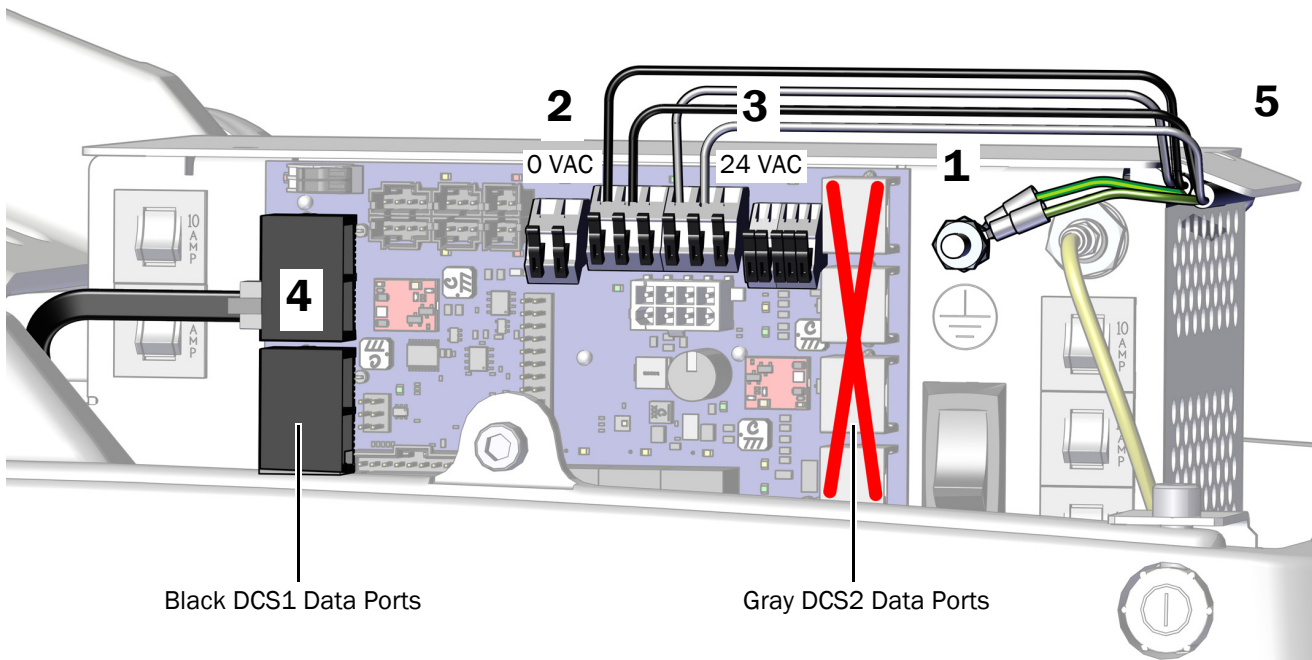
Connect A-dec 541 Remote Power Cables and Data Line to an A-dec Universal Power Supply

1. Attach the green/yellow ground wires from the remote power cables to the ground terminal on the power supply housing.
2. Connect the black wires from the remote power cables to 0 VAC.
3. Connect the gray wires from the remote power cables to 24 VAC.



CAUTION Plugging the black data line into a gray DCS2 data port toward the toe of the chair can damage the product.

4. Plug the black data line from the delivery system into any black DCS1 data port toward the head of the chair.
5. Once all of the electrical connections have been made for the system's modules, secure the wires and data line under the lip on the power supply.



Next Step See "Connect the Tubing" on page 23.

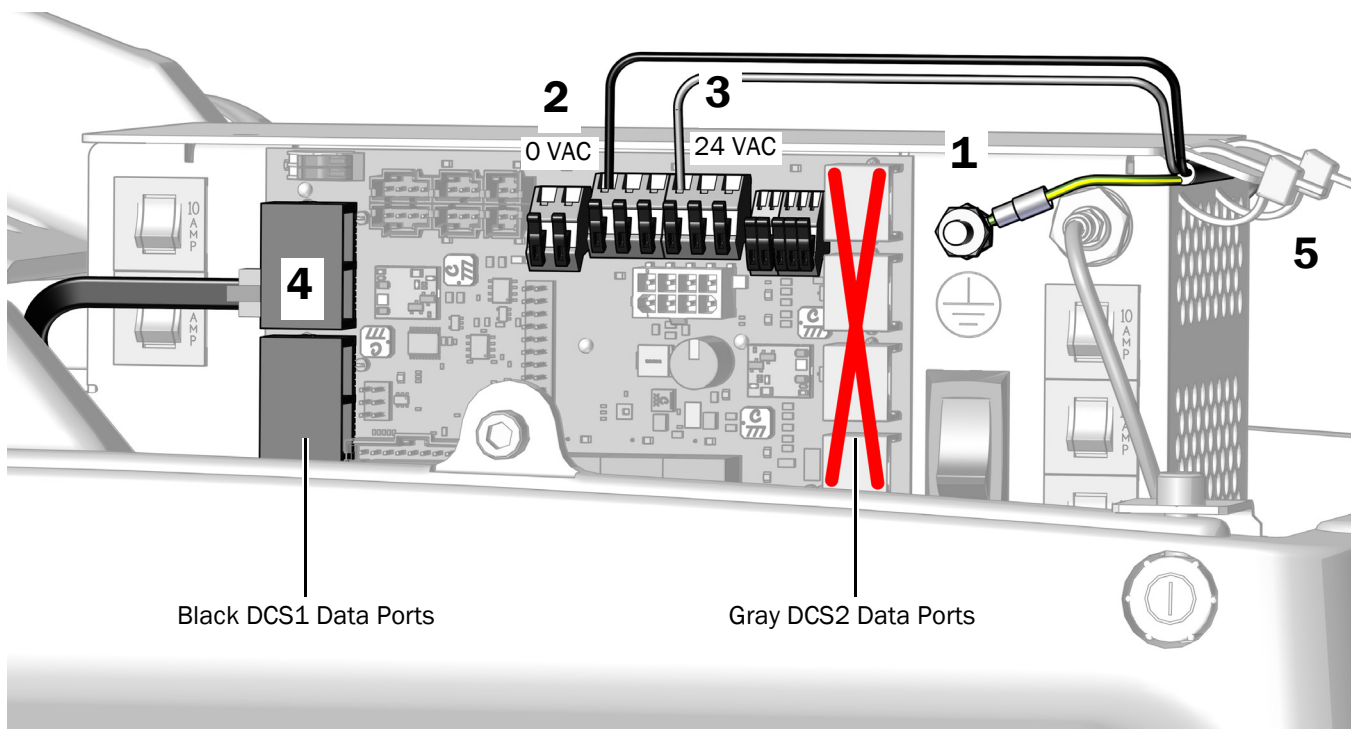
Connect A-dec 545 Remote Power Cable and Data Line to an A-dec Universal Power Supply

1. Attach the green/yellow ground wire from the remote power cable to the ground terminal on the power supply housing.
2. Connect the black wire from the remote power cable to the 0 VAC wire connector.
3. Connect the gray wire from the remote power cable to the 24 VAC wire connector.



CAUTION Plugging the black data line into a gray DCS2 data port toward the toe of the chair can damage the product.

4. Plug the data line into a black DCS1 data port toward the head of the chair.
5. After all of the electrical connections have been made for the system's modules, secure the wires under the lip on the power supply. The data line does not get secured.



Next Step See "Connect the Tubing" on page 23.

Connect the Remote Power Cables and Data Line to an A-dec 311/411 Power Supply Manufactured Before June 2023

Recommended Tool

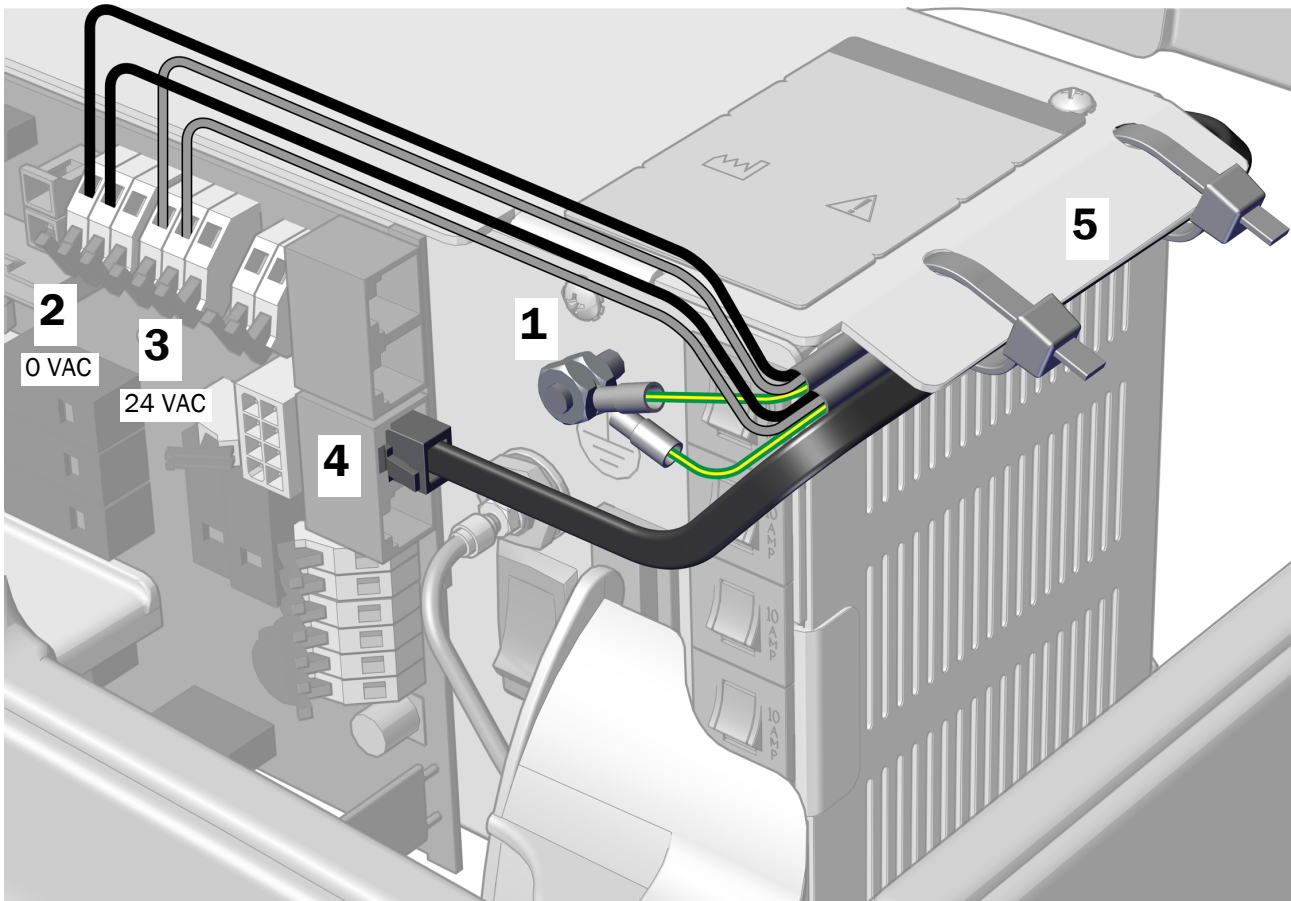
- 3/8" combination wrench

Complete the instructions for the product you are installing:

Connect A-dec 541 Remote Power Cables and Data Line to an A-dec 311/411 Power Supply	16
Connect A-dec 545 Remote Power Cable and Data Line to an A-dec Universal Power Supply	15

Connect A-dec 541 Remote Power Cables and Data Line to an A-dec 311/411 Power Supply

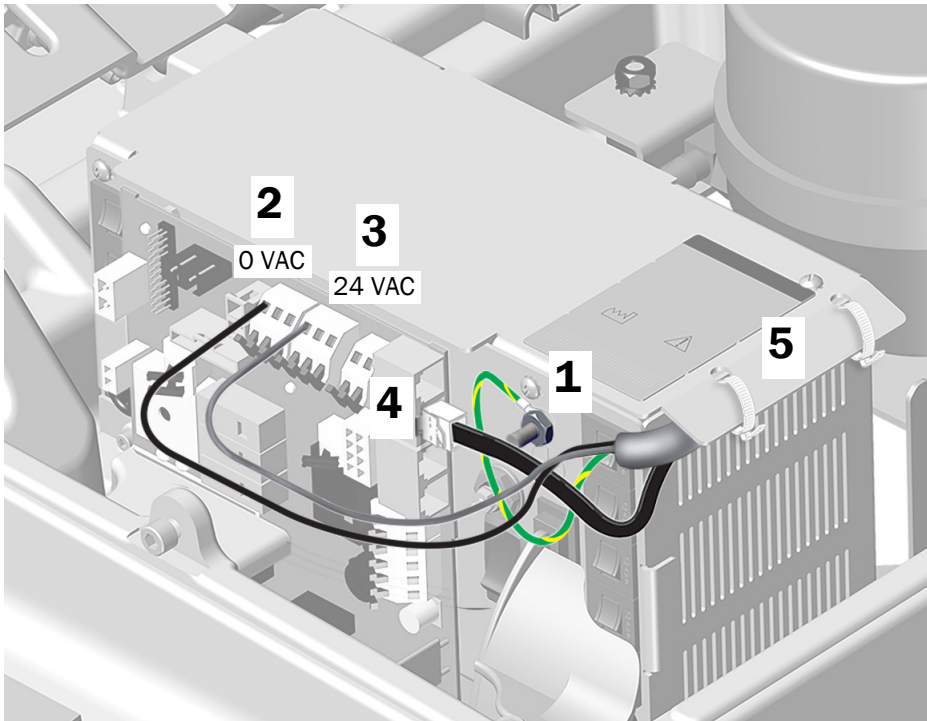
1. Attach the green/yellow ground wires from the remote power cables to the ground terminal on the power supply housing.
2. Connect the black wires from the remote power cables to 0 VAC.
3. Connect the gray wires from the remote power cables to 24 VAC.
4. Plug in the data line into any data port.
5. After all of the electrical connections have been made for the system's modules, secure the wires under the lip on the power supply.



Next Step See "Connect the Tubing" on page 23.

Connect A-dec 545 Remote Power Cables and Data Line to an A-dec 311/411 Power Supply

1. Attach the green/yellow ground wire from the remote power cables to the ground terminal on the power supply housing.
2. Connect the black wires from the remote power cable to 0 VAC.
3. Connect the gray wires from the remote power cable to 24 VAC.
4. Plug in the data line into any data port.
5. After all of the electrical connections have been made for the system's modules, secure the wires under the lip on the power supply



Next Step See "Connect the Tubing" on page 23.

Connect the Remote Power Cables and Data Line to an A-dec 511 Power Supply Manufactured Before June 2023

Complete the instructions for the product you are installing:

Connect A-dec 541 Remote Power Cables and Data Line to an A-dec 511 Power Supply	18
Connect A-dec 545 Remote Power Cable and Data Line to an A-dec 511 Power Supply	20

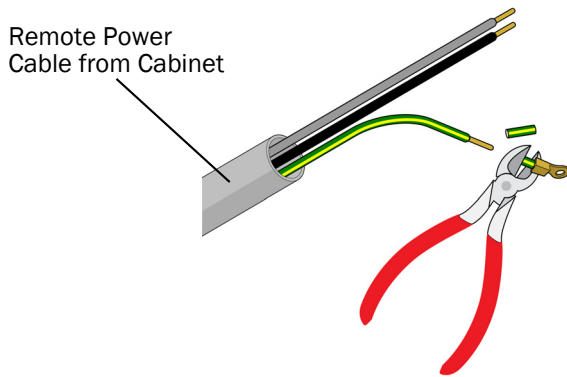
Connect A-dec 541 Remote Power Cables and Data Line to an A-dec 511 Power Supply

Task 1.

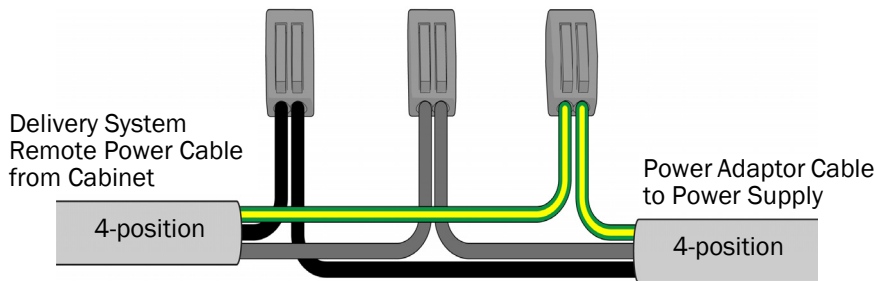
Recommended Tools

- Diagonal cutters
- Wire strippers

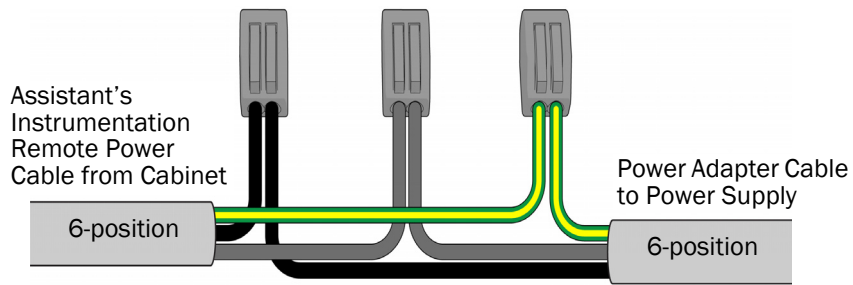
1. Cut the eyelet off of the green/yellow ground wire of the delivery system and assistant's instrumentation remote power cables and strip back the wires 3/8" (10 mm).



2. Use wire connectors to connect the delivery system remote power cable black wires, gray wires, and ground wires to a 4-position power adaptor cable, matching wire colors.

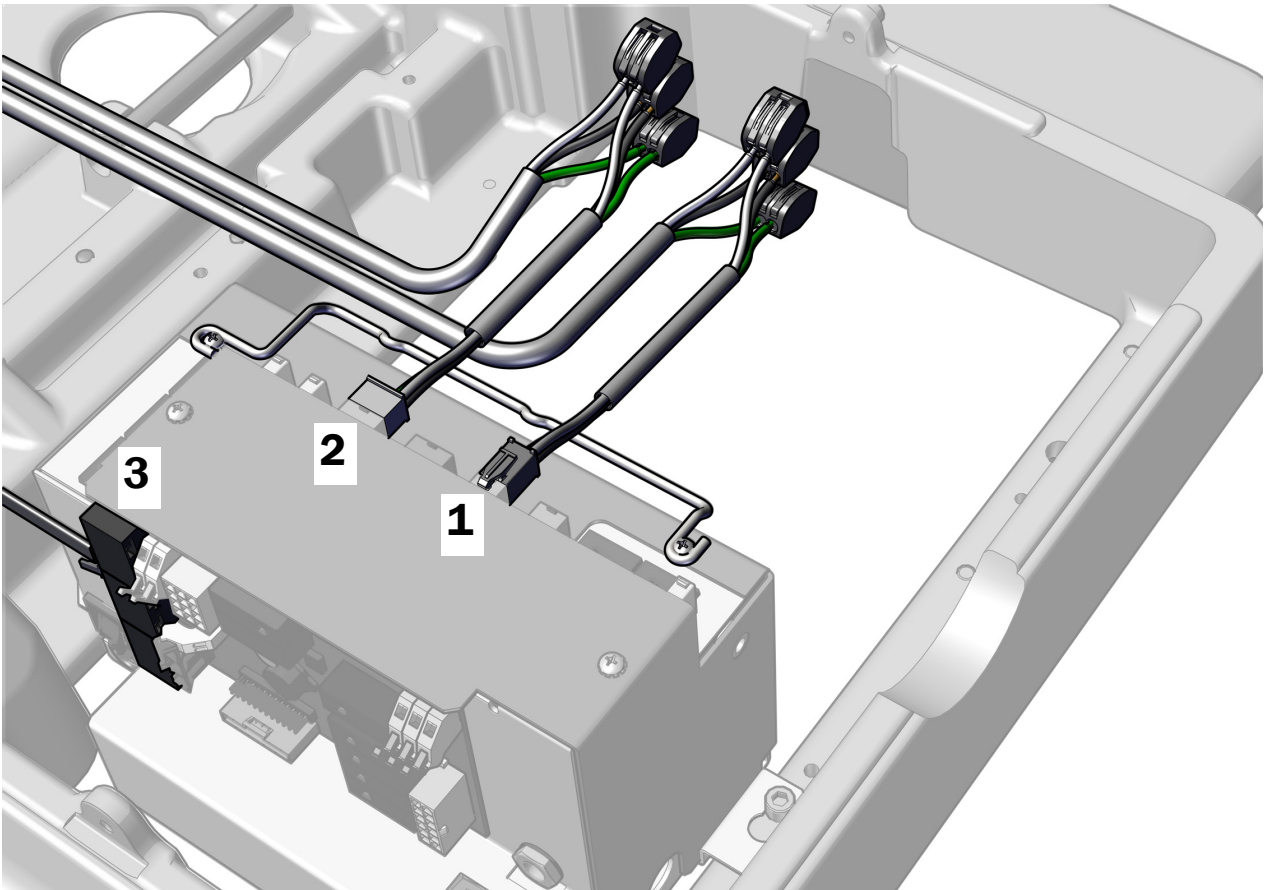


3. Use wire connectors to connect the assistant's instrumentation remote power cable black wires, gray wires, and ground wires to a 6-position power connector cable, matching colors.



Task 2.

1. Plug in the 4-position power adaptor cable.
2. Plug in the 6-position power adaptor cable.
3. Plug in the data line to any data port on the power supply.



Next Step See "Connect the Tubing" on page 23.

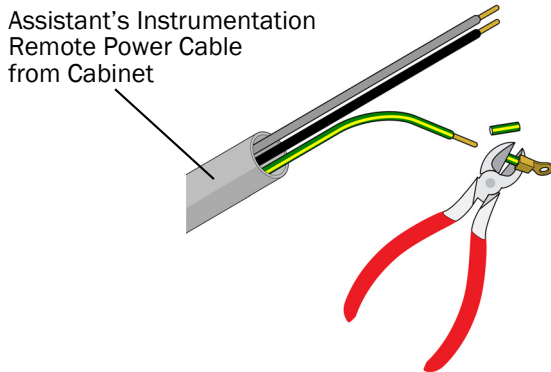
Connect A-dec 545 Remote Power Cable and Data Line to an A-dec 511 Power Supply

Task 1.

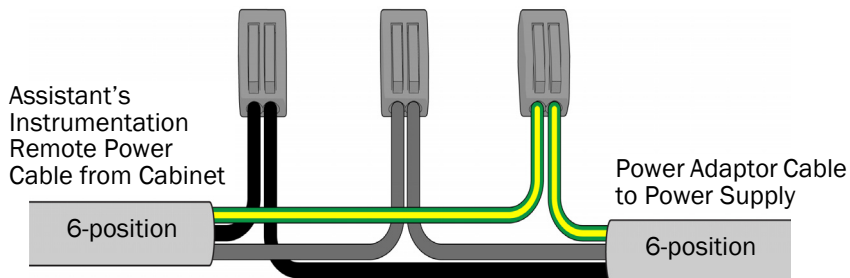
Recommended Tools

- Diagonal cutters
- Wire strippers

1. Cut the eyelet off of the green/yellow ground wire of the assistant's instrumentation remote power cable and strip back the wires 3/8" (10 mm).

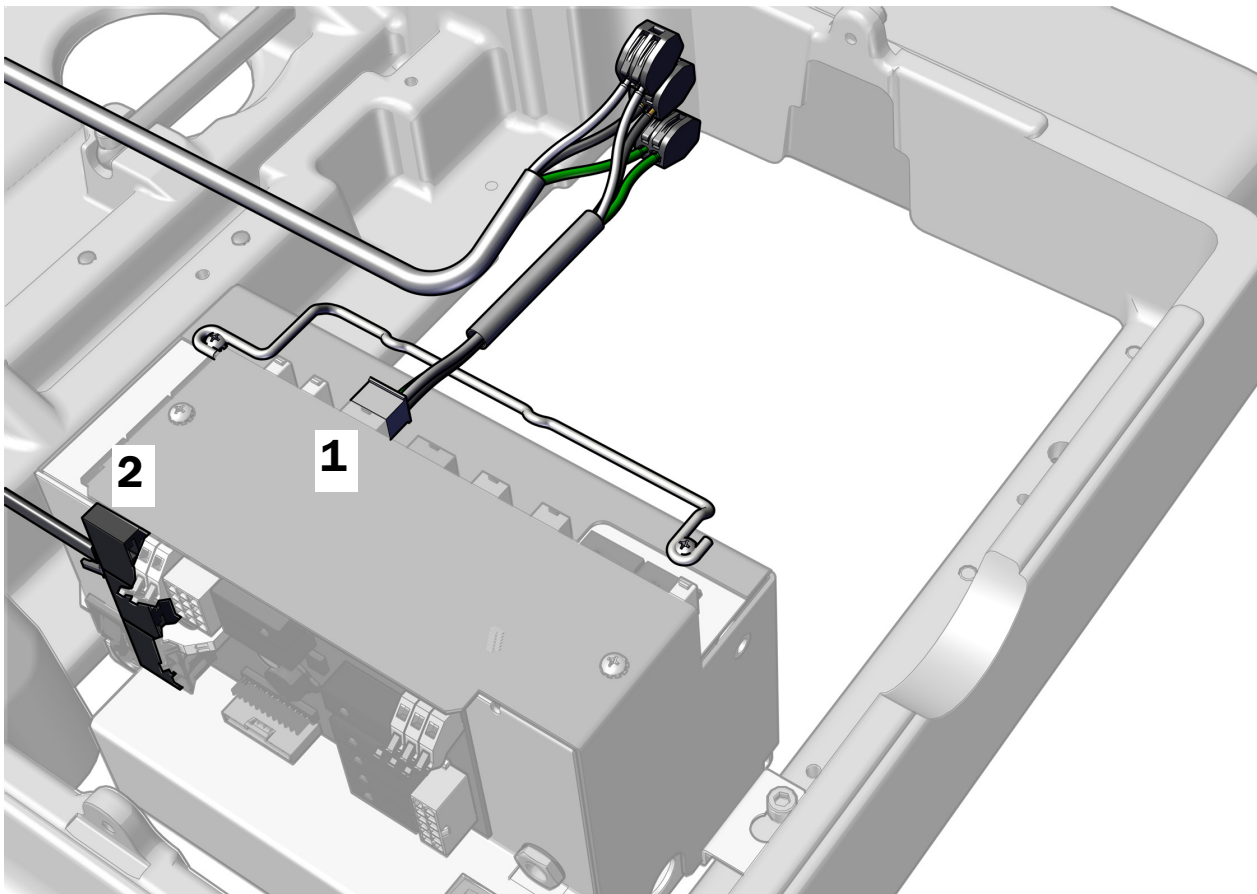


2. Use wire connectors to connect the assistant's instrumentation remote power cable black wires, gray wires, and ground wires to a 6-position power adaptor cable, matching colors.



Task 2.

1. Plug in the 6-position power adaptor cable.
2. Plug in the data line to any data port on the power supply.



Next Step See "Connect the Tubing" on page 23.

Connect the Power Cables and Data Line Used With an A-dec 300 W Stand-Alone Power Supply

Connect the Power Cables Used With an A-dec 300 W Stand-Alone Power Supply

See "Connect the Power Cables to an A-dec 300 W Stand-Alone Power Supply" on page 10.

Connect the Data Line Used With an A-dec 300 W Stand-Alone Power Supply

For instructions on plugging in the 25' data line from the cabinet, see the section for the system configuration.

Connect A-dec 541 Remote Power Cables and Data Line to an A-dec Universal Power Supply	14
Connect A-dec 545 Remote Power Cable and Data Line to an A-dec Universal Power Supply	15
Connect A-dec 541 Remote Power Cables and Data Line to an A-dec 311/411 Power Supply	16
Connect A-dec 545 Remote Power Cables and Data Line to an A-dec 311/411 Power Supply	17
Connect A-dec 541 Remote Power Cables and Data Line to an A-dec 511 Power Supply	18
Connect A-dec 545 Remote Power Cable and Data Line to an A-dec 511 Power Supply	20

Connect the Tubing

Install the Foot Control (541 only)

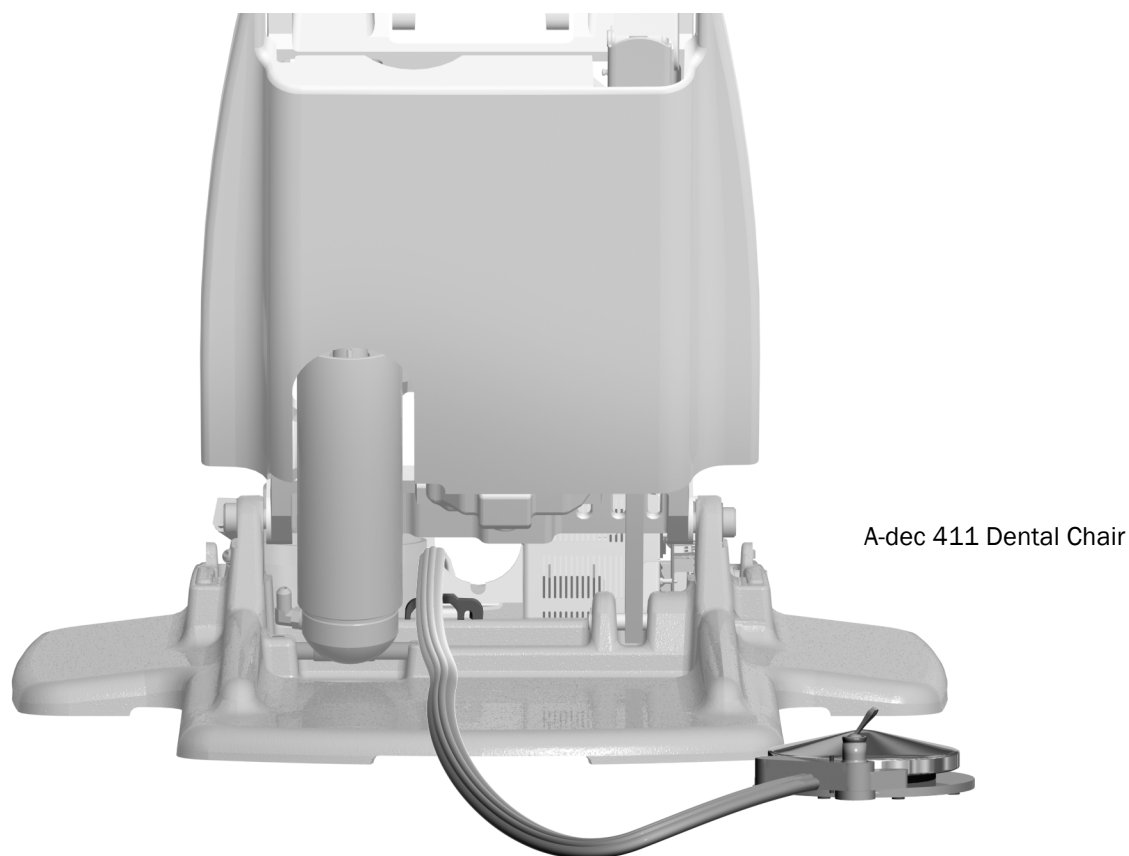


NOTE The installation procedure for a disk foot control and lever foot control is the same.

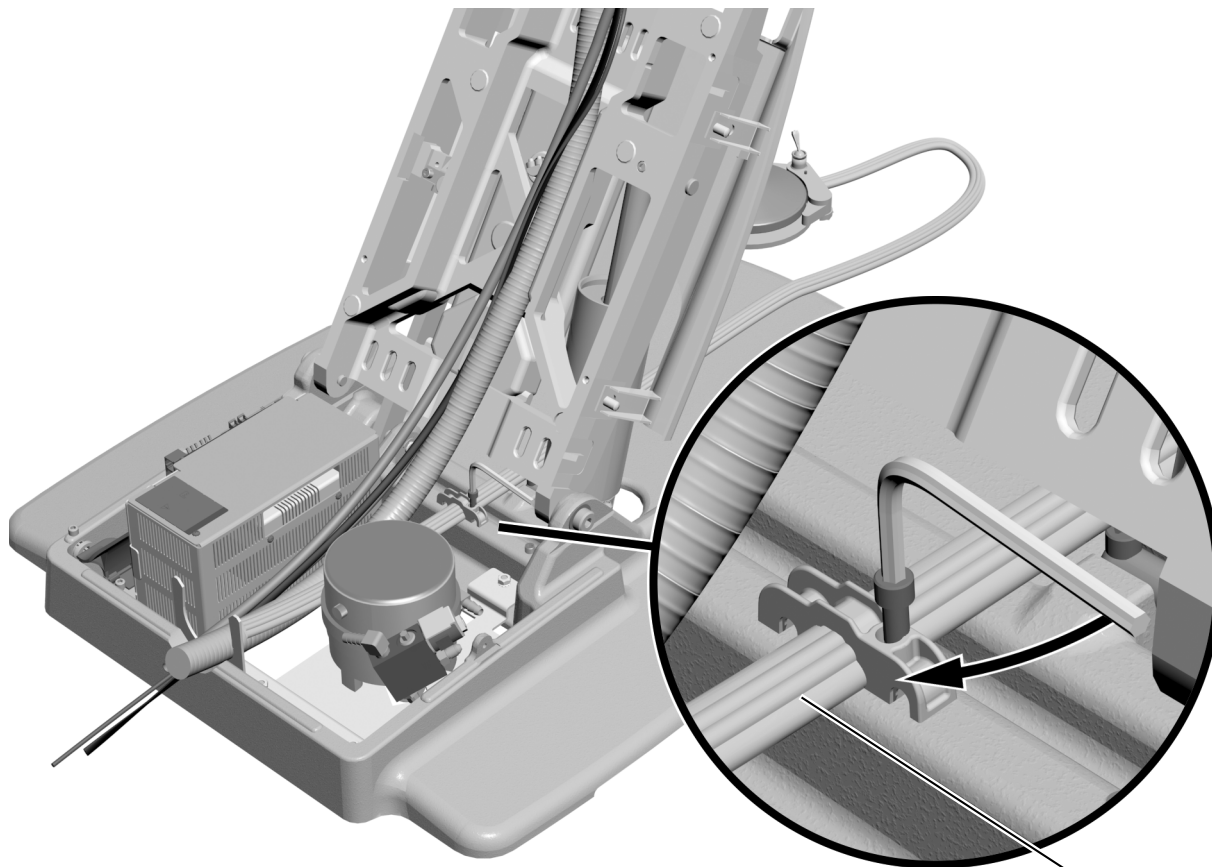
Install the Foot Control on a Chair

Recommended Tool

- 3/16" hex key



- 1** From the back of the chair, route the foot control tubing over the strain relief and behind the power supply.

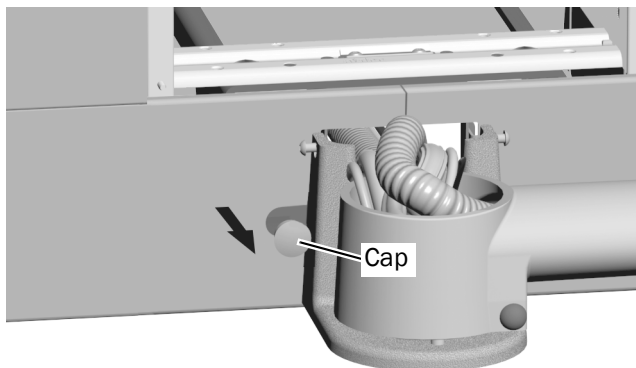


- 2** Use a 3/16" hex key to secure the foot control tubing to the chair base in the strain relief.

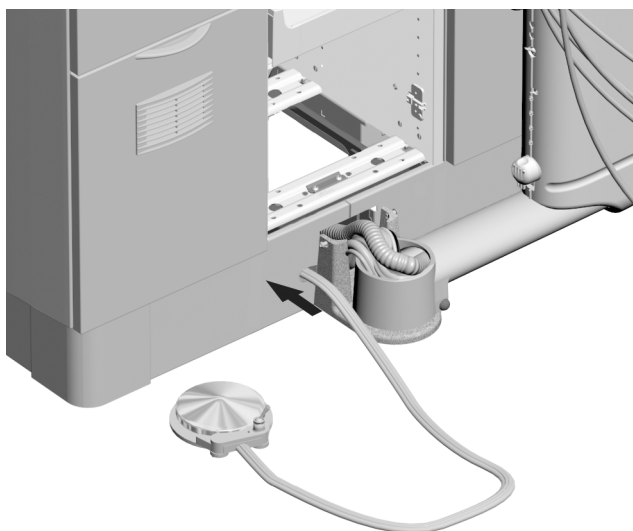


NOTE For proper positioning, the ridges on the foot control tubing face up to match the grooves in the strain relief.

Install the Foot Control on a Cabinet



- 1** Remove the cap from the foot control opening in the cabinet.



- 2** Route the foot control tubing through the subbase.



NOTE A-dec provides sufficient tubing length for a remote mount foot control, but an extension may be needed.

Install the Foot Control on a Wall

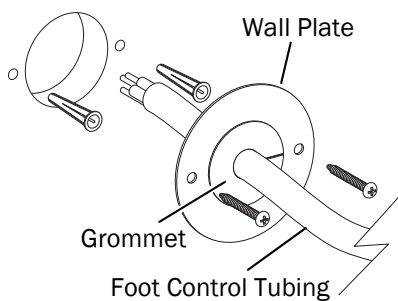
Recommended Tools

- Drill and drill bits
- Phillips head screwdriver

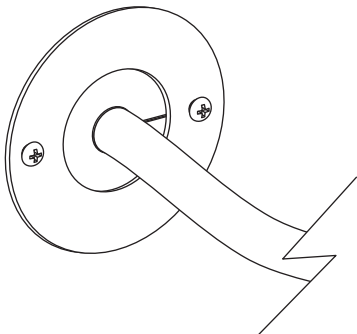
Use the foot control wall plate template, available in the *541/545 Delivery Systems Stand Alone Applications Template* (p/n 85.0050.00).

1 Drill a 2-1/8" (54 mm) hole and two 1/4" (7 mm) holes as shown in the foot control wall plate template.

2 Install the tubing through the grommet. Push the grommet and tubing through the wall plate.



3 Use a Phillips head screwdriver and the screws provided in the wall plate kit to attach the cover plate to the wall.



Connect the Tubing - 541

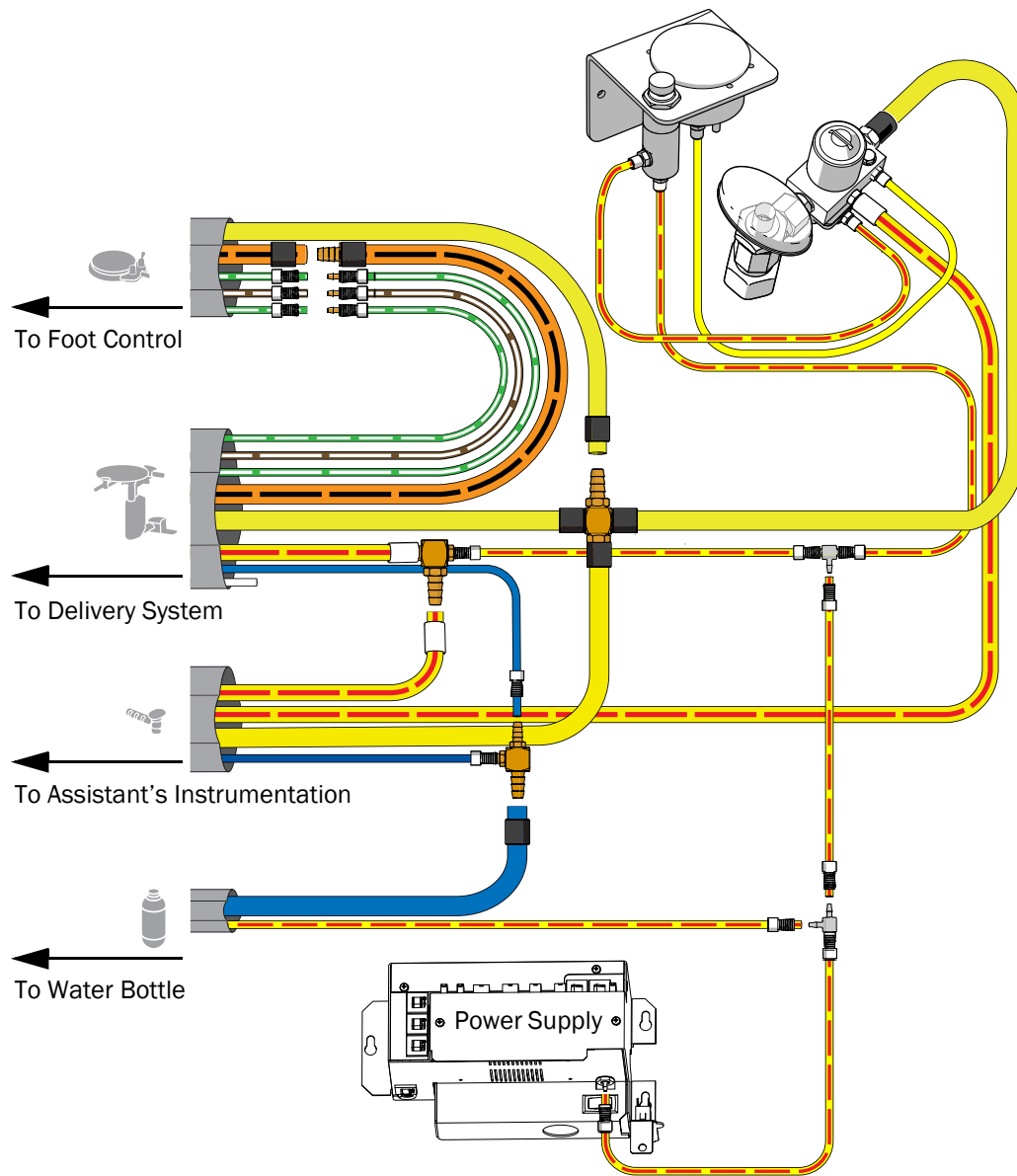
Connect the tubing according to the following flow diagram.



NOTE To connect to an A-dec 511 power supply, use the quick disconnects from the kit.



NOTE To connect the pilot air tubing to an A-dec 311flt/311/411 dental chair, see *Connect Pilot Air Tubing from an A-dec 341pro/341flt/342pro/342/541pro/541 Delivery System or A-dec 545sta/545 Assistant's Instrumentation to an A-dec 311flt/311/411 Dental Chair Installation Guide* (p/n 86.0160.00).



Connect the Tubing - 545

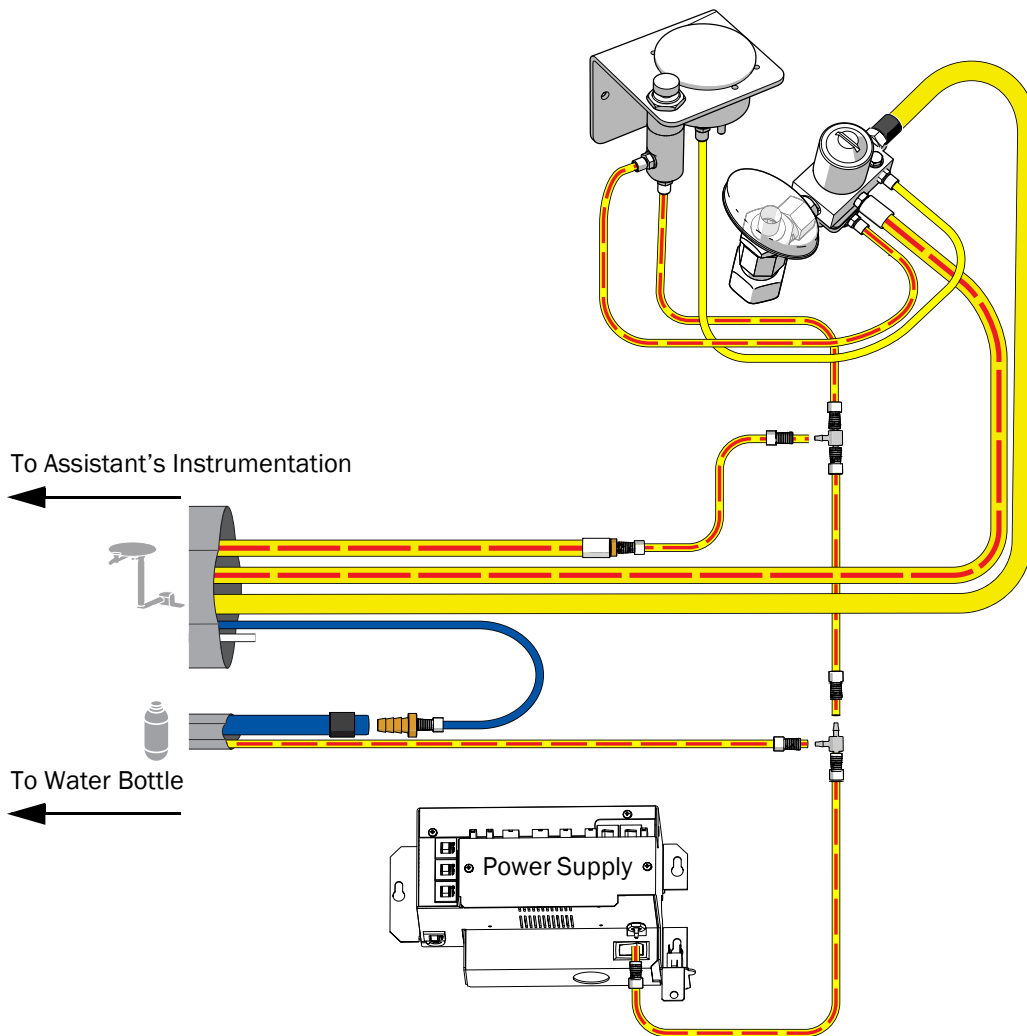
Connect the tubing according to the following flow diagram.



NOTE To connect to an A-dec 511 power supply, use the quick disconnects from the kit.



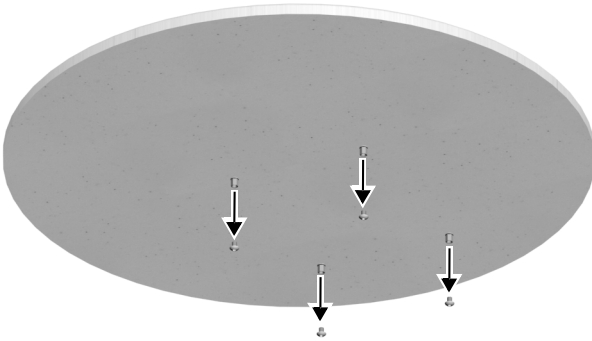
NOTE To connect the pilot air tubing to an A-dec 311flt/311/411 dental chair, see *Connect Pilot Air Tubing from an A-dec 341pro/341flt/342pro/342/541pro/541 Delivery System or A-dec 545sta/545 Assistant's Instrumentation to an A-dec 311flt/311/411 Dental Chair Installation Guide* (p/n 86.0160.00).



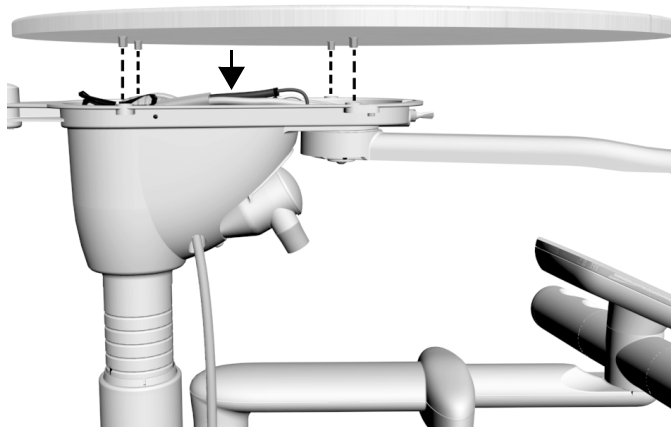
Attach and Level the Round Worksurface

Recommended Tool

- 1/8" hex key



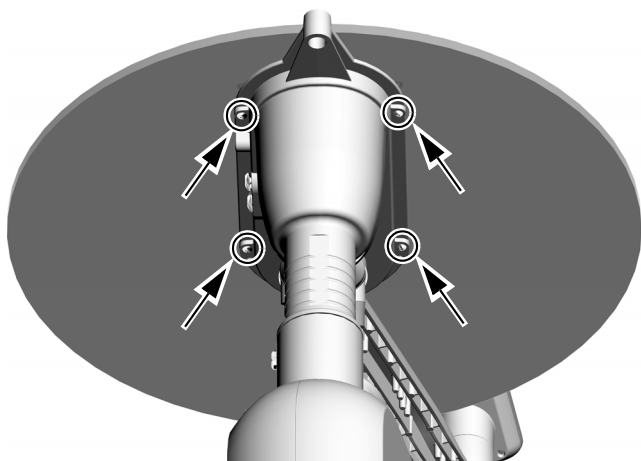
- 1** Remove the screws from the threaded standoffs underneath the worksurface.



- 2** Position the worksurface on the worksurface support housing. Align the holes in the support housing with the threaded standoffs on the bottom of the worksurface.



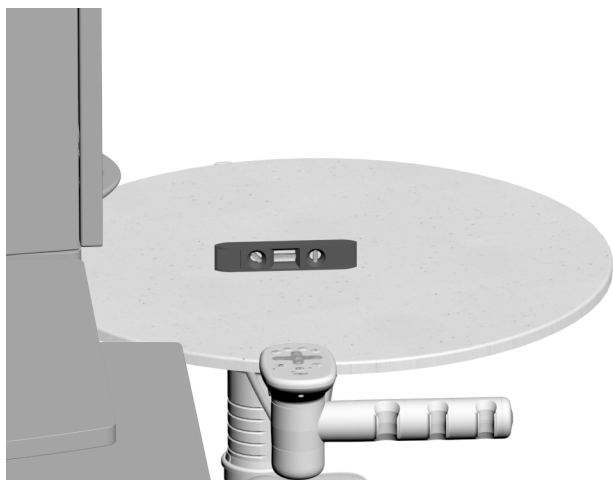
NOTE Keep the tubing out of the way so it is not pinched.



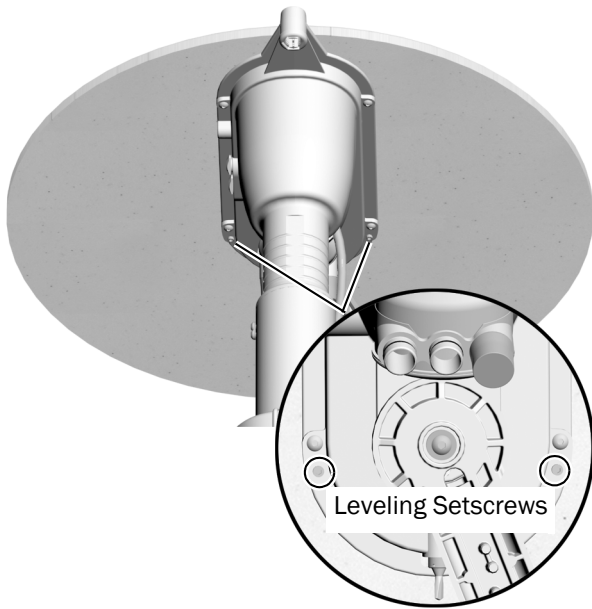
- 3 Insert the four worksurface screws that you removed in step 1. Use a 1/8" hex key to loosely install, but do not tighten, the worksurface screws.



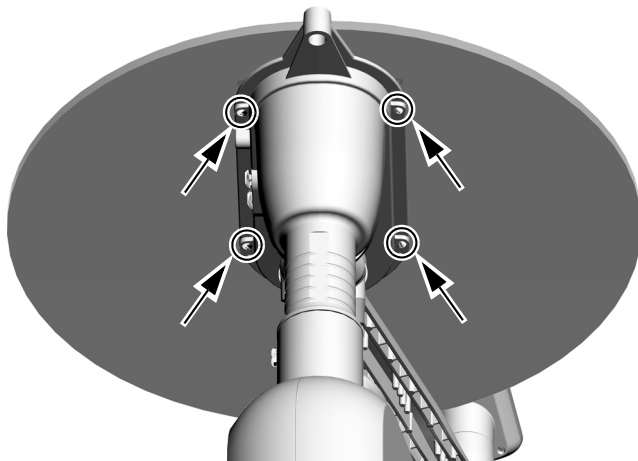
NOTE Keeping the screws loose allows for proper leveling and prevents damage in the following steps.



- 4 Position the worksurface arm in a typical working position and center a level on the round worksurface over the support housing.



5 Use a 1/8" hex key to adjust the two leveling setscrews in the worksurface support housing until the surface is level.

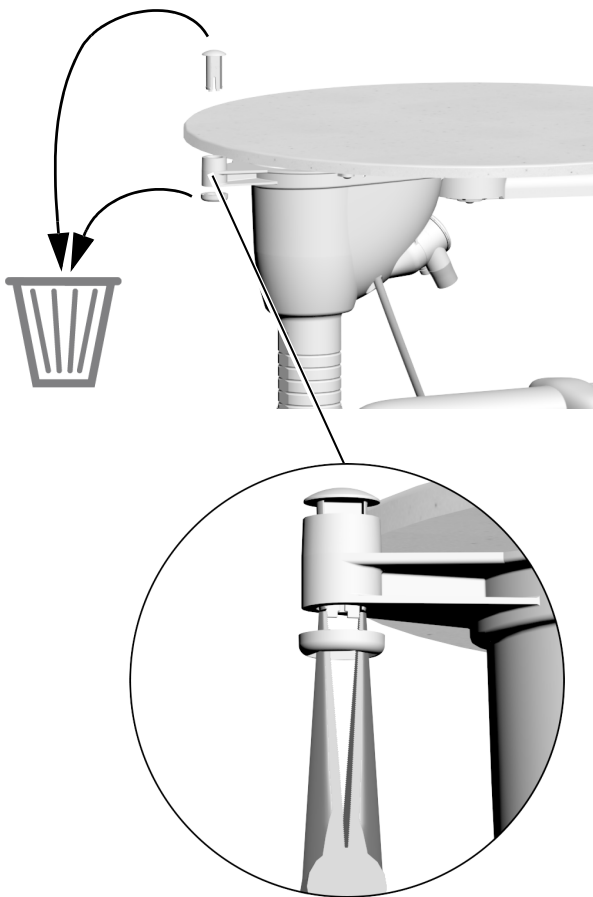


6 Use a 1/8" hex key to tighten the four worksurface screws.

Install the Tray Holder Mount (optional)

Recommended Tools

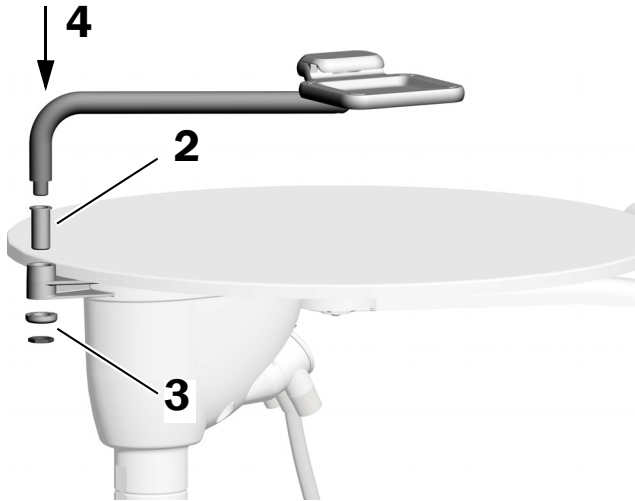
- 3/16" hex key
- Needle-nose pliers



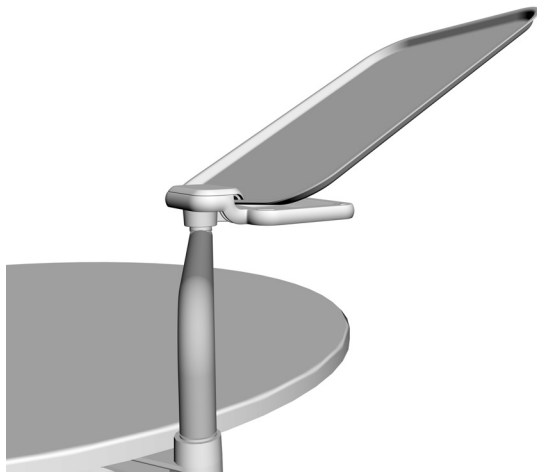
- 1** Remove the tape from the tray holder mount, and then remove and discard the plug and collar.



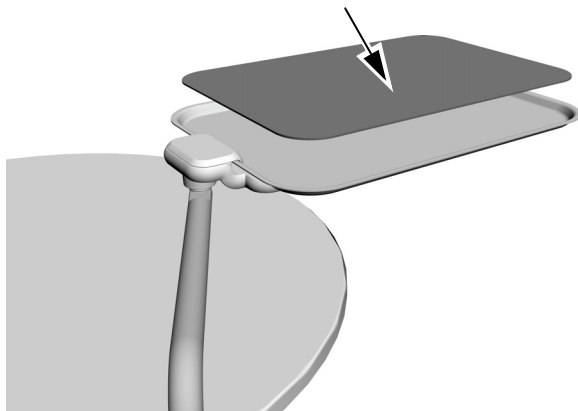
TIP You may need to use needle-nose pliers to squeeze the bottom of the plug to help remove it.



- 2** Insert the sleeve into the work surface support.
- 3** Secure the sleeve by attaching the washer and nut to the threads on the bottom of the sleeve.
- 4** Insert the tray holder mount into the sleeve.

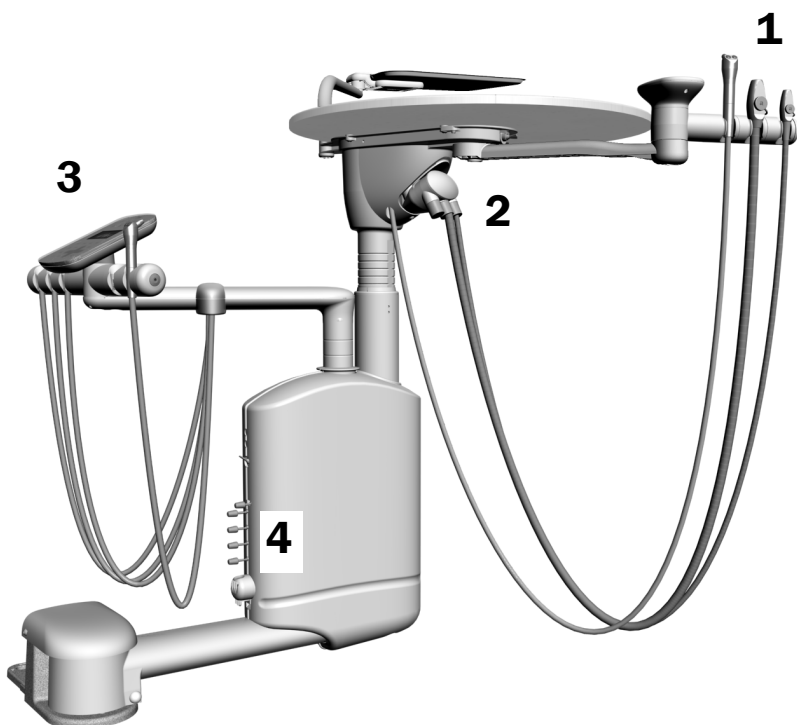


- 5** Install the tray holder on the tray holder mount.



- 6** Place the pad on the tray holder.

Complete the Installation



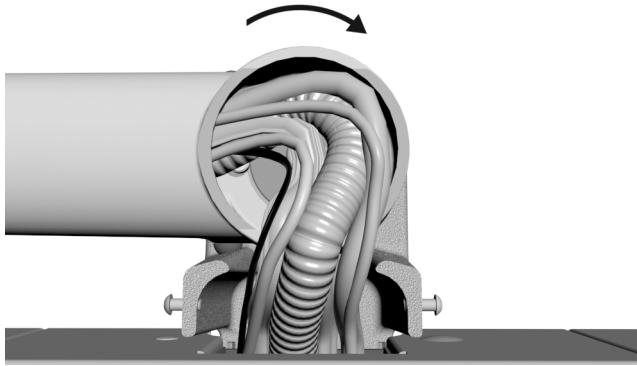
- 1** Place the assistant's instrumentation in the assistant's holder.
- 2** Attach the assistant's instrumentation tubing to the vacuum canister.
- 3 541 only:** Place the syringe and handpiece tubing in the doctor's holder.
- 4 541 only:** Install the adjustment knobs.

Adjust the System

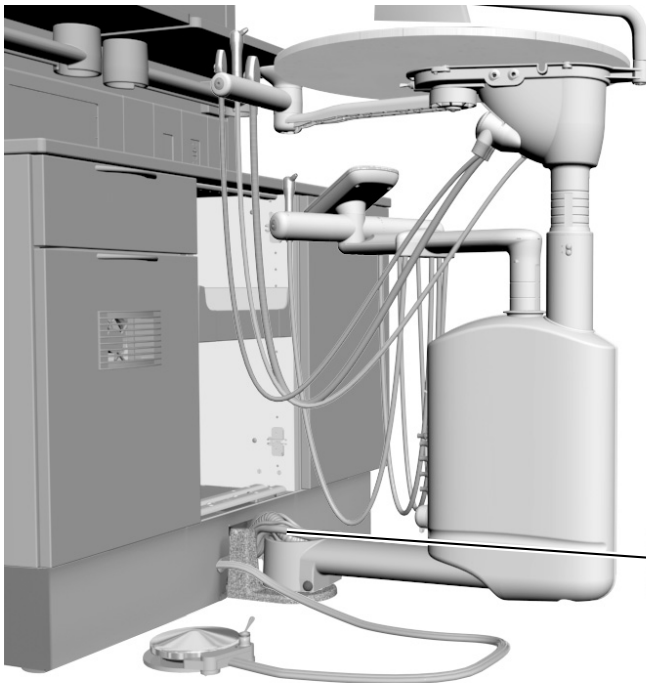
Adjust the Rotation Tension

Recommended Tool

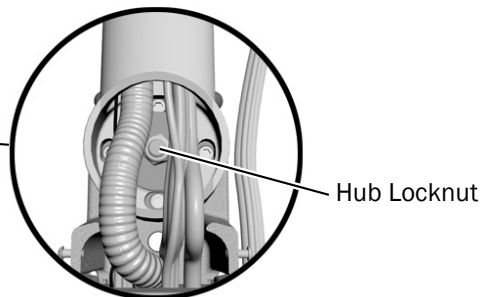
- 3/4" socket (deep well) with 6" extension



- 1** Ensure there is enough slack in the tubing to rotate the assembly.



- 2** When you rotate the arm, there should be slight resistance, and the arm should not drift. If the arm drifts, tighten the hub locknut with a 3/4" socket and ratchet.

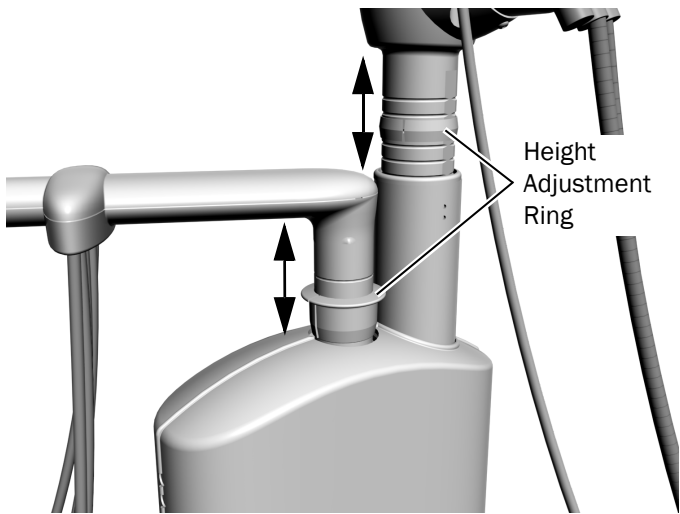


Adjust the Tray Holder Mount Rotation Tension



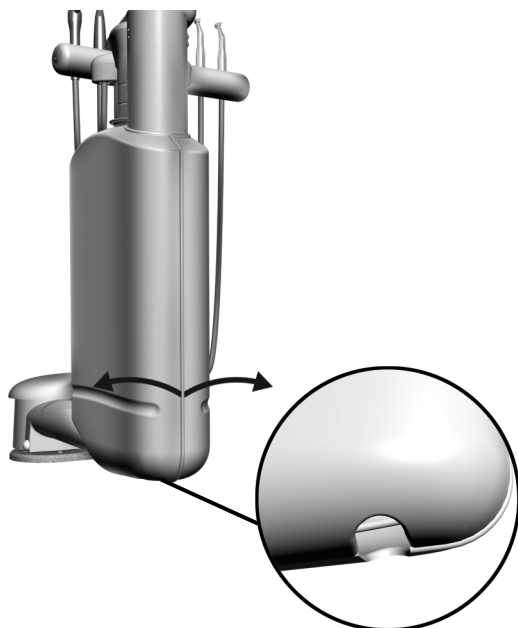
- 1** Use a Phillips head screwdriver to remove the cap screws. Remove the cap.
- 2** Insert a 7/32" hex key into the tension bolt and turn clockwise to increase the tension.
- 3** Replace the cap and secure with the screws.

Adjust the Worksurface and Instrumentation Arm Height



- 1** Lift the upper part of the vertical post.
- 2** Slide the height adjustment ring to the desired position.
- 3** Lower the vertical post onto the ring.

Adjust the Handpiece Drive Air Pressure (541 only)



CAUTION When removing or replacing covers, take care not to damage any wiring or tubing. Verify that the covers are secure after replacing them.

- 1** Locate the hole directly under the control head and pull the covers away from each other to remove them.

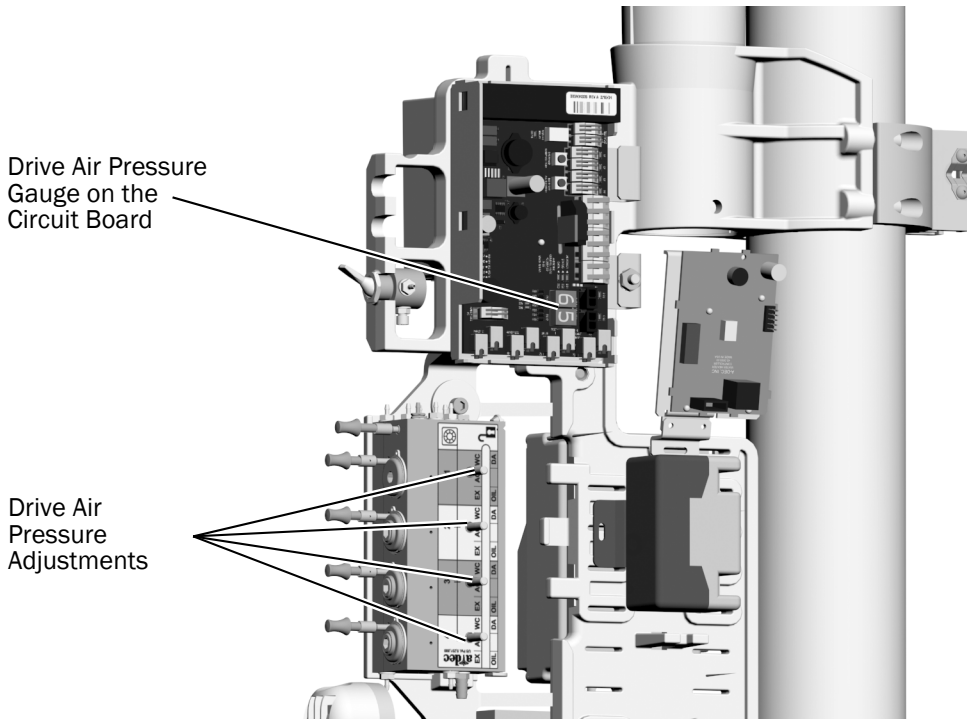
- 2** Lift the handpiece from the holder. A handpiece must be attached to the tubing to read the pressure.

- 3** Make sure the water coolant is turned off.

4 With the handpiece running, check the drive air pressure gauge on the circuit board.



NOTE Pressure can also be measured with a handpiece pressure gauge or with a deluxe touchpad or deluxe plus touchpad. To check the pressure through the touchpad, press and hold — and + at the same time while making the adjustments.



CAUTION Do not turn the drive air adjustment stem too far. The stem may come completely out.

5 Adjust the drive air pressure for the activated handpiece to meet the manufacturer's specifications. Turn the stem clockwise to decrease pressure.

The control head gauge indicates the drive air pressure in psi (14.5 psi equals 1 bar).



NOTE When adjusting the drive air pressure, take into account where it is measured. Pressure is greater at the control head, as read through the control head gauge or touchpad, than at the handpiece.

Adjust the Intraoral Light Source (541 only)

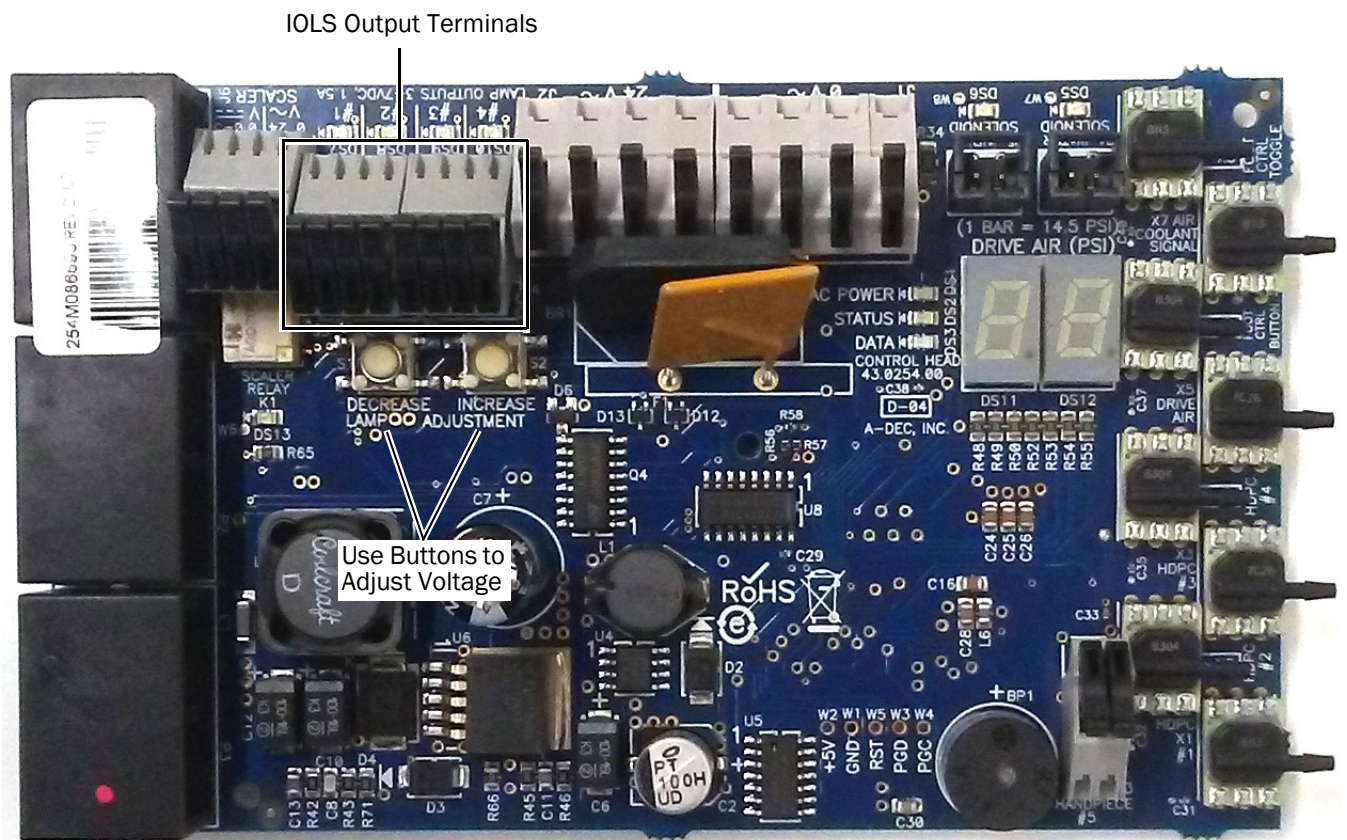
Recommended Tool

- Voltmeter



ATTENTION Circuit boards are sensitive to static electricity. Electrostatic Discharge (ESD) precautions are required when touching a circuit board or making connections to or from the circuit board. Circuit boards should be installed only by an electrician or qualified service person.

- 1 Remove the covers. For details, refer to step 1 on page 37.
- 2 Set the voltmeter to DC voltage and place its probes on the IOLS output terminals for the handpiece you're adjusting.



- 2 Lift the handpiece from its holder and turn the light on.
- 3 Use the buttons behind the terminal to adjust the voltage according to the following table.



CAUTION The values in the following table are valid only for fiber optics with 26 AWG wires, 750 mA loads, and the recommended 3.2 VDC at the bulb. For fiber optics powered with 26 AWG wires and other ratings, use the equation $T = (Z \times 0.006 \times Y) + X$ where:

T = Terminal strip voltage (VDC)

X = Desired voltage at bulb (VDC)

Y = Rated lamp/load current (in Amps)

Z = Length of 26 AWG wire (inches) from terminal strip to bulb

For devices with a wire gauge other than 26 AWG, please contact A-dec Customer Service.

Length and Voltage Table for Bulbs Rated at 3.20 VDC

A-dec Tubing Length		Voltage at terminal strip resulting in recommended 3.20 VDC +/- 0.03 bulb voltage (measure with IOLS on)		
(in)	(cm)	0.200 A	0.380 A	0.750 A
50	127	3.37	3.52	3.84
64	163	3.42	3.61	4.02
85	216	3.49	3.75	4.28

Customize Handpiece Touchpad Settings



NOTE Touch control symbols and icons are proprietary to A-dec, Inc.



Deluxe Plus Touchpad

Handpiece Setup



1. Press and hold and at the same time until a **System Setup** screen appears.
2. Press .
3. Press again to select **Handpieces**.
4. Press on the **Handpiece Setup** screen to select **Holder Setup**.
5. Lift the desired handpiece from the holder.
6. Press or to select the handpiece type on the **Holder Setup** screen.
7. Do one of the following depending on the type of handpiece:
 - **Electric:** For setup instructions, see the installation information that ships with the control module.
 - **All other Types:** Press . Three beeps confirm the setup for the handpiece is complete.
8. Return the handpiece to the holder.
9. Repeat steps 4 through 8 to set up each active handpiece.
10. When you are finished setting up handpieces, press until you see the A-dec logo.

Intraoral Light Source Setup

The following settings are available:

- **On When Selected:** When enabled, the intraoral light source turns on when the handpiece is removed from the holder. When this feature is turned off, the intraoral light still turns on when you press the foot control.
- **Auto Off Delay:** Determine how long the light remains on when the foot control is released. This time is reset when you use the drive air again.
- **On in Endo:** Specify whether the intraoral light source turns on or off when in Endodontics mode.



To set up the intraoral light source:

1. Press and hold  and  at the same time until a **System Setup** screen appears.
2. Press \rightarrow .
3. Press \rightarrow again to select **Handpieces**.
4. Press \downarrow to select **Intraoral Lt Source**, then press \rightarrow on the **Handpiece Setup** screen.
5. Lift the desired handpiece from the holder.
6. Press \uparrow or \downarrow to move to the desired setting on the **Light Source Setup** screen. With the setting highlighted, press $-$ or $+$ to specify the setting, then press \rightarrow . Three beeps confirm the setting.
7. Return the handpiece to the holder.
8. Repeat steps 5 through 7 to specify each setting for each handpiece.
9. When you are finished setting up the handpieces, press \leftarrow until you see the A-dec logo.

Contrast/Help Messages Setup

Use the touchpad setup to change the contrast of the touchpad display and specify whether to display help messages.

To set up touchpad settings:

1. Press and hold  and  at the same time until a **System Setup** screen appears.
2. Press \rightarrow .
3. Press \downarrow to select **Touchpad**, then press \rightarrow .
4. Press \uparrow or \downarrow to select **Contrast Adjust** or **Help Messages** on the **Touchpad Setup** screen, then press \rightarrow :
 - **Contrast Adjust:** Press $-$ or $+$ to adjust the contrast. Press \rightarrow to save the setting. Three beeps confirm the setting.
 - **Help Messages:** Press $-$ or $+$ to turn **On** or **Off** the help messages. Press \rightarrow to save the setting. Three beeps confirm the setting.
5. When settings are complete, press \leftarrow until you see the A-dec logo.



NOTE For a listing of help messages, see the *Regulatory Information, Specifications, and Warranty* document (p/n 86.0221.00) in the Resource Center at www.a-dec.com.

Test the System

After you have completed the installation, use the following checklist to test the delivery system; then follow up with the customer.

Delivery System

- The handpieces function properly and are set to the doctor's preferences:
 - Water coolant, air coolant, and spray.
 - Handpiece tubing flush.
 - Handpiece holder valves and switches.
 - Handpiece drive air pressure.
- Foot control operates properly.

Utilities

- Regulated air pressure to the delivery system is at 80 psi (552 kPa).
- If the system includes a floor box, it is free of air and water leaks.
- Tubing and connections are not kinked and are free of air and water leaks.
- Excess tubing and wires are coiled and stored away from moving parts.

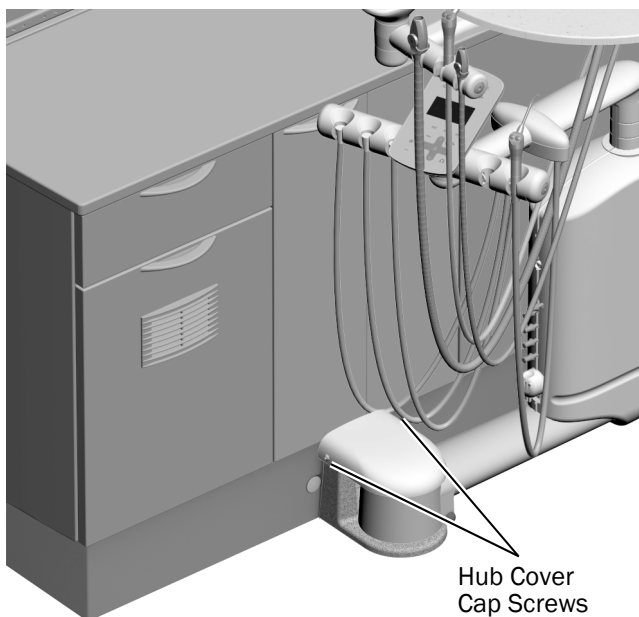
Attach the Hub Mount Cover and Cabinet Doors

Recommended Tool

- 5/32" hex key



CAUTION When removing or replacing covers, take care not to damage any wiring or tubing. Verify that the covers are secure after replacing them.



- 1** Remove the cap screws from the sides of the hub.
- 2** Use the cap screws and a 5/32" hex key to secure the cover on the hub mount.
- 3** Reinstall the cabinet doors.

Regulatory Information and Warranty

For required regulatory information and the A-dec warranty, see the *Regulatory Information, Specifications, and Warranty* document (p/n 86.0221.00) available in the Resource Center at www.a-dec.com.



For quick access to this document online, scan, tap, or click this QR code, which points to a-dec.com/regulatory-guide.

All trademarks cited herein are trademarks or registered trademarks of A-dec, Inc. in the United States and may also be trademarks or registered trademarks in other countries.



A-dec Headquarters

2601 Crestview Drive
Newberg, OR 97132 USA
Tel: 1.800.547.1883 Within USA/CAN
Tel: +1.503.538.7478 Outside USA/CAN
www.a-dec.com

A-dec, Inc. makes no warranty of any kind with regard to the content in this document including, but not limited to, the implied warranties of merchantability and fitness for a particular purpose.

