



A-dec Inspire® 593 Side Console

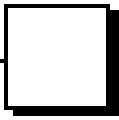
INSTALLATION GUIDE



A-dec 593 70" Full Side Console

Product Models and Versions Covered in This Document

Models	Versions	Description
593	A	Dental Furniture



Before You Begin

- Clear the room of all debris and thoroughly clean the floors.
- Verify that manual air and water shut-offs are installed.
- Purge any debris from air and water lines.
- Check with local building and code authorities about installation requirements specific to your location.
- The A-dec Inspire 593 Side Console is available as a lower and as a lower with upper cabinets. You may not be required to complete all of the steps depending on the configuration that you are installing.

Recommended Tools

- Phillips head screwdriver
- Hex key set
- #2 Pozidriv® screwdriver
- Standard screwdriver
- Stubby standard screwdriver
- Power screwdriver
- Torpedo level
- Four-foot level
- Drill
- 3/8" (10" long), 3/16", 5/16, and 1/2" drill bits
- Dollies (at least 2 per cabinet)
- Awl
- 5/16", 7/16", 9/16", and 3/4" 6 point sockets and ratchet, with 6" locking extension
- 1/2" (12 mm) dowel

Important Information



NOTE Information that is critical to a successful installation is shaded like this note throughout the guide.



WARNING Consult a licensed professional (such as a structural or architectural engineer) for mounting to metal studs or masonry walls. If your cabinet has a mounting plate, you must secure the module it is in to at least two wall studs. For loading requirements, contact A-dec Customer Service.



CAUTION To avoid damaging the cabinet after the alcoves and the upper components have been installed, do not move the assembly more than is required to make slight position adjustments without installing the column covers.
For column cover installation information, see "Install the Alcove" on page 18.



ATTENTION Circuit boards are sensitive to static electricity. Electrostatic Discharge (ESD) precautions are required when touching a circuit board or making connections to or from the circuit board. Circuit boards should be installed only by an electrician or qualified service person.

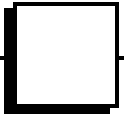


WARNING Failure to install the A-dec Inspire 593 Side Console as described in this installation guide may cause the unit to collapse, resulting in serious injury to personnel.



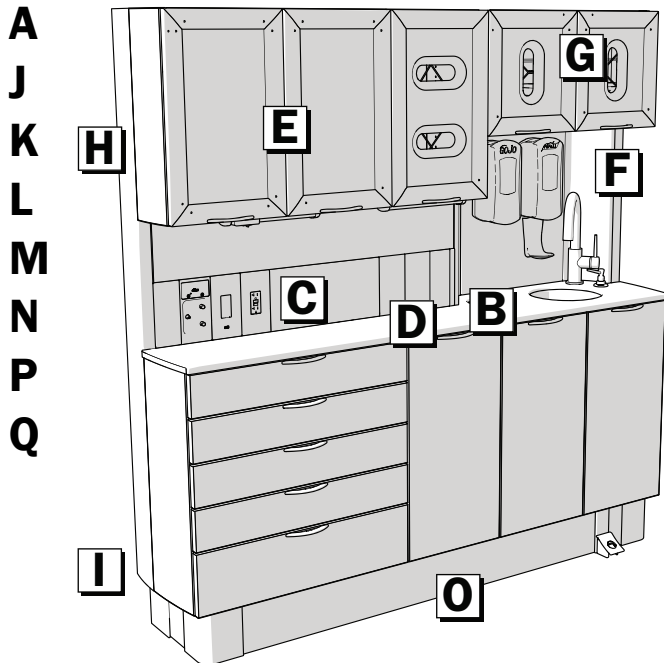
WARNING Two people should install this cabinet to avoid personal injury.

How to Use this Installation Guide



The A-dec Inspire 593 Side Console is available in multiple configurations. Perform the installation tasks in the order shown below. If a section does not apply to a specific configuration, that information is noted at the beginning of the section

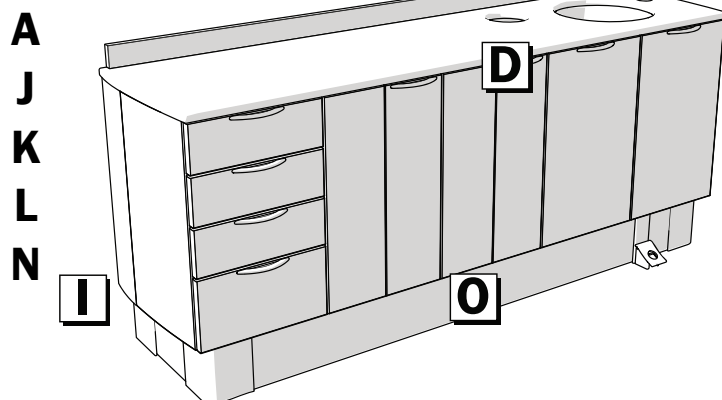
A-dec 593 Full Side System



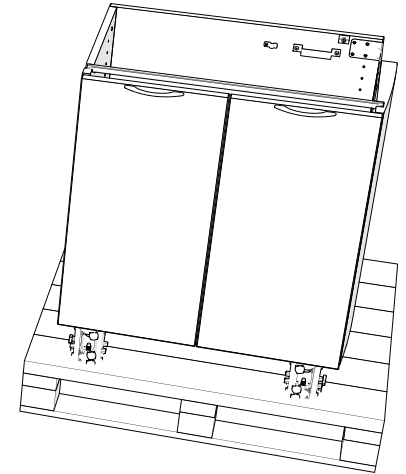
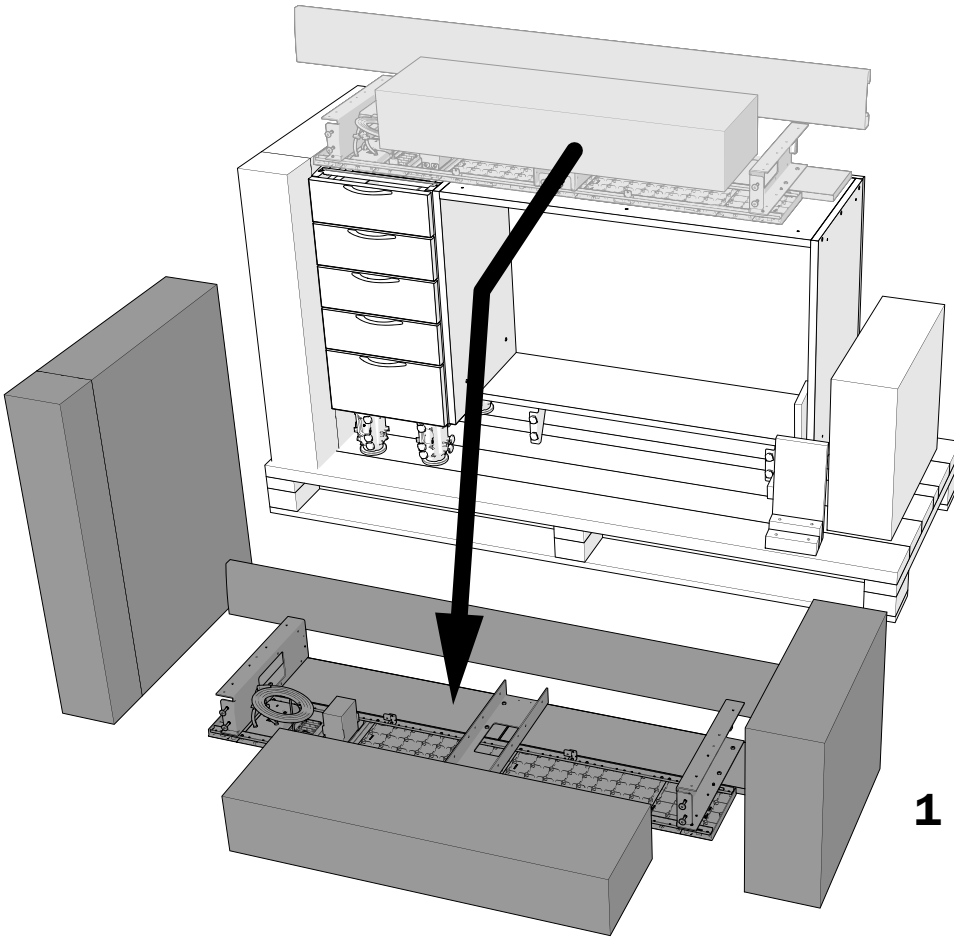
Installation Sequence

A	Unpack the Cabinet	4
B	Secure the Lowers and Install the Countertop	8
C	Install the Power Panel	12
D	Position and Level the Lower	14
E	Secure Two Upper Storage Modules (optional)	17
F	Install the Alcove	18
G	Install the Upper Storage	19
H	Secure the Upper Storage and Install the Dispenser	20
I	Install the Structural Column Covers ...	21
J	Anchor the Cabinet to the Floor	26
K	Anchor the Cabinet to a Structural Wall	29
L	Install the Light or Monitor Mount	32
M	Install the Accessories	33
N	Connect the Wiring and Data Lines	38
O	Adjust the Drawer Faces and Doors	43
P	Install the Foot Pedals and Base Covers	46
Q	Complete the Installation	48

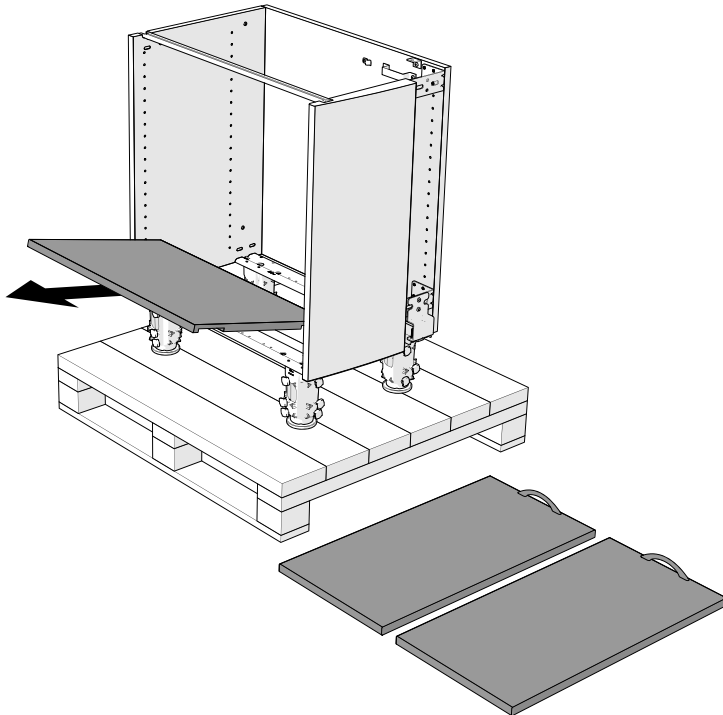
A-dec 593 Lower Only



A Unpack the Cabinet



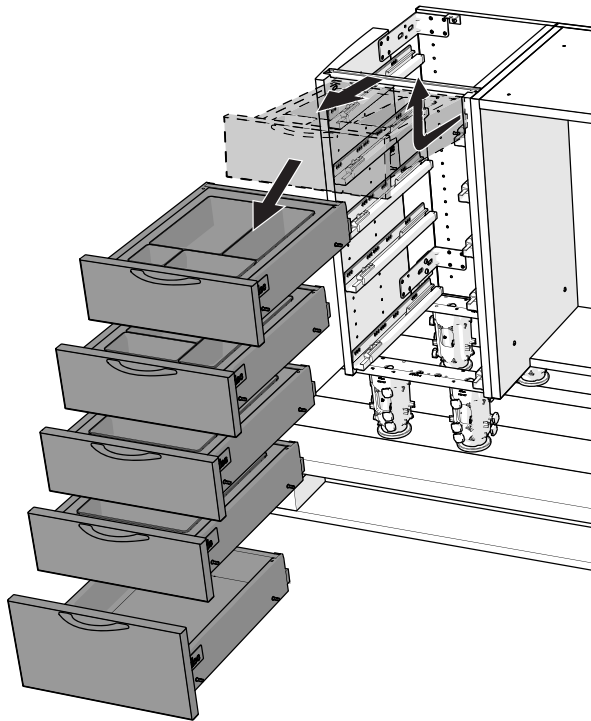
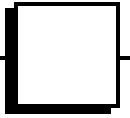
1 Remove the items from the pallet and top of the cabinet.



2 Remove the doors and false bottoms.

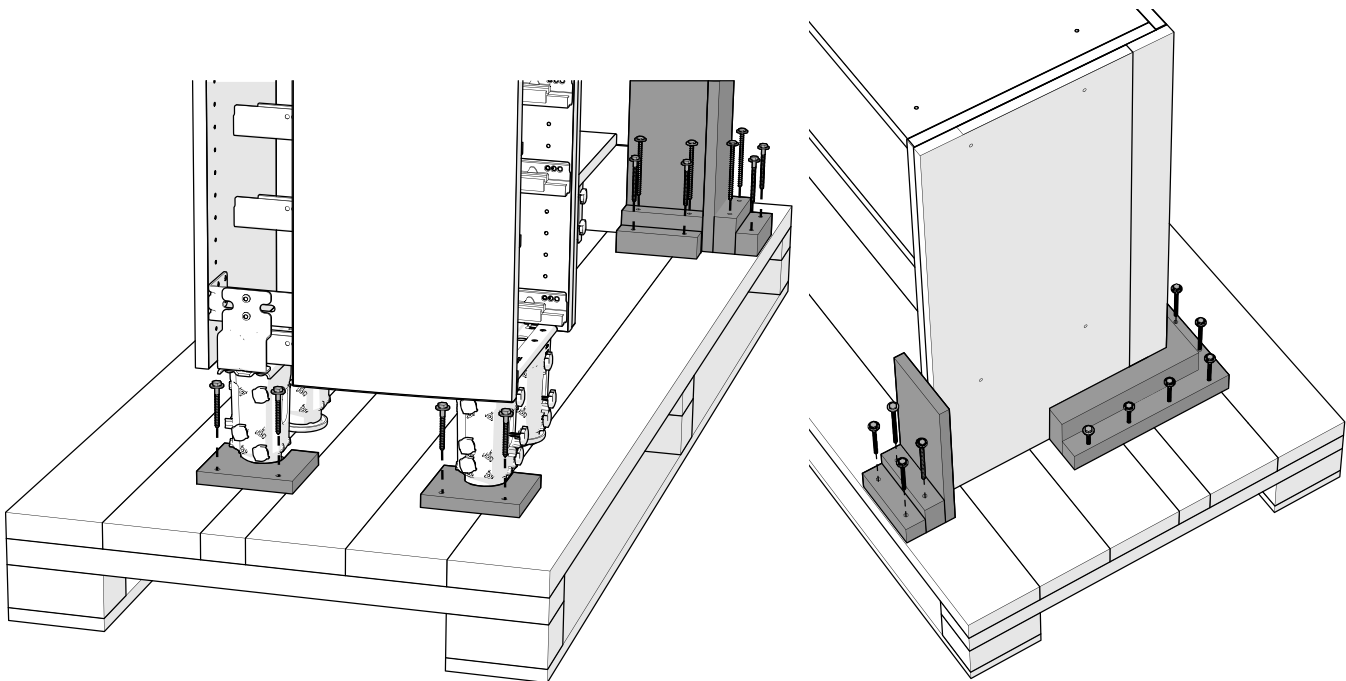


TIP Make note of the installed location of each item to help with reinstallation.

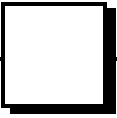


3 Remove the drawers.

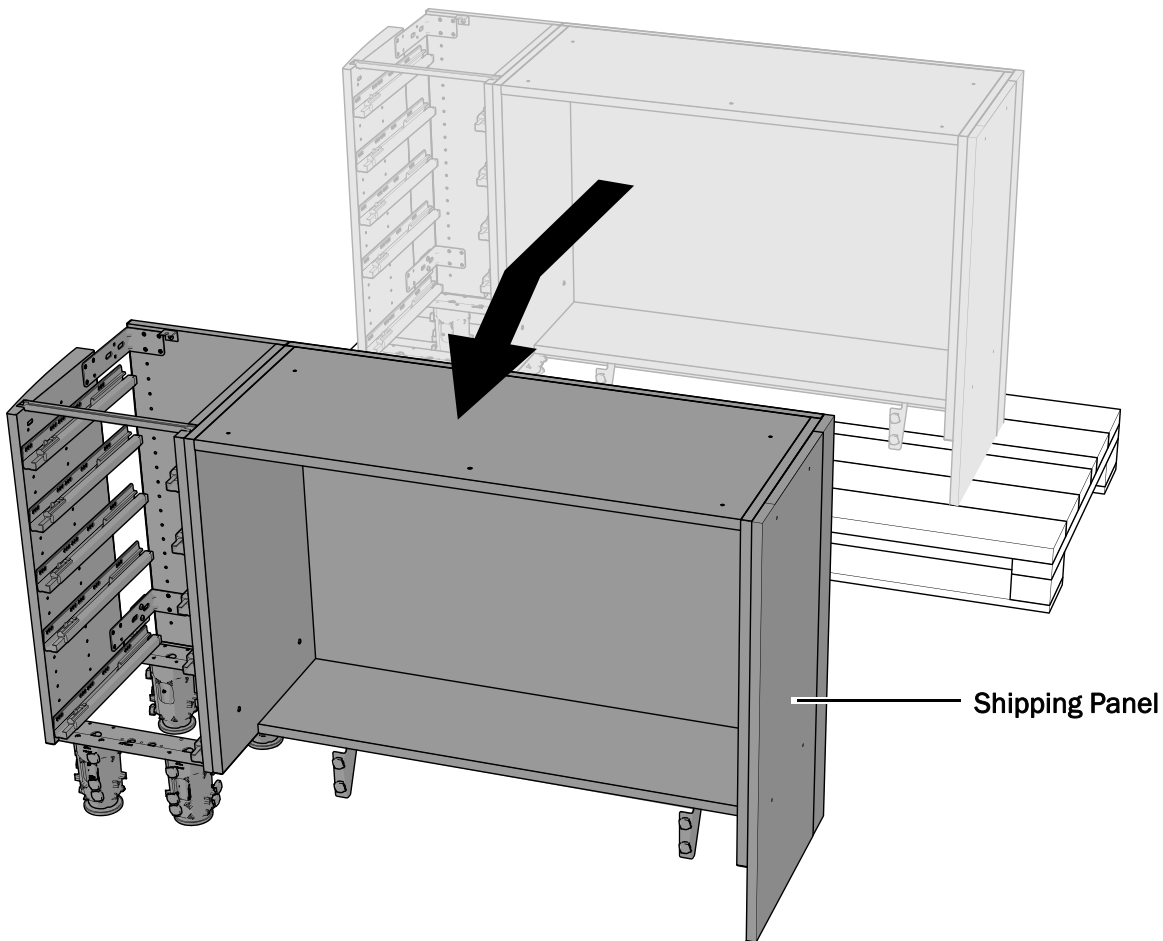
- 1 Pull the drawer out to the stop.
- 2 Lift the front of the drawer, pull out, then down.



- 4** Use a 7/16" socket and ratchet to remove the anchors securing the cabinet to the pallet. Lift and pull the anchors to remove them from the feet. Discard all anchors. Do not reuse anchors to secure the cabinets to the floor.



WARNING The shipping panel stabilizes the cabinet during transport. Do not remove it until the two lower modules have been removed from the pallet and are ready to be secured to each other.

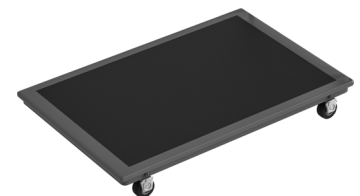


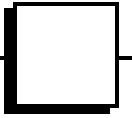
WARNING Due to the weight of larger configurations, more than two people are needed to safely move the cabinet from the pallet.

5 Lifting by the lower rails, remove the cabinet from the pallet.

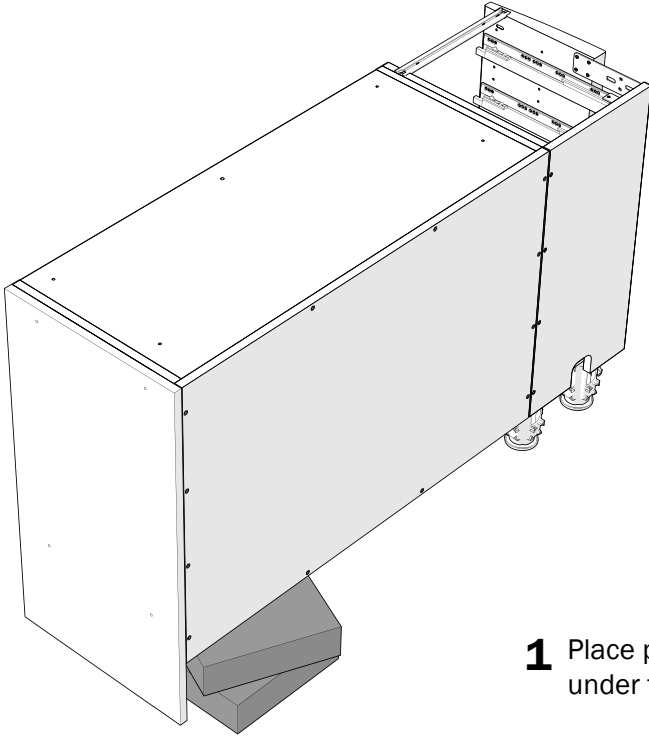


NOTE A-dec recommends using only solid-top dollies when moving A-dec Inspire cabinets.

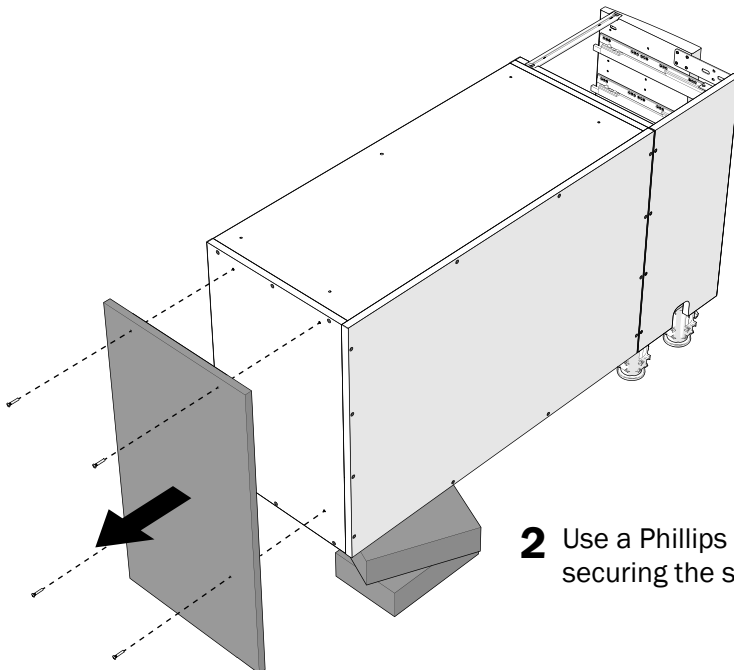




Remove the Shipping Panel

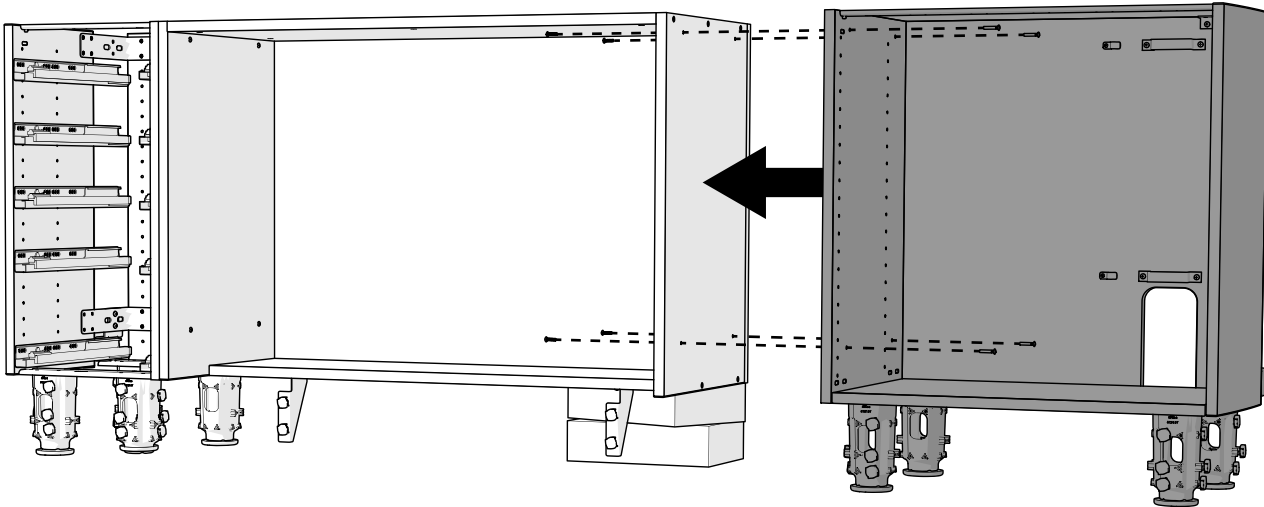


- 1** Place pieces of packing material or something similar in size under the cabinet by the shipping panel.

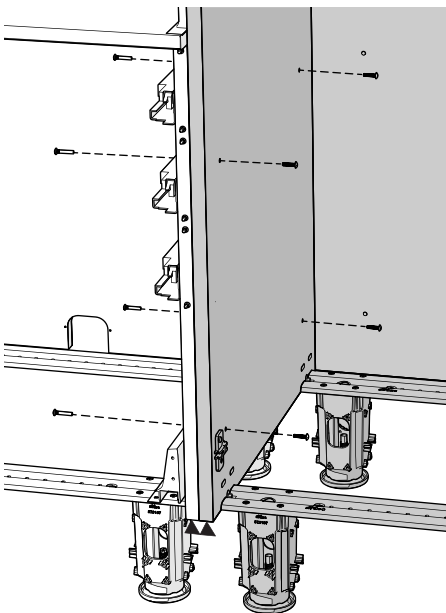


- 2** Use a Phillips head screwdriver to remove the four barrel bolts securing the shipping panel to the cabinet.

B Secure the Lowers and Install the Countertop (84" [213 cm] configuration only)



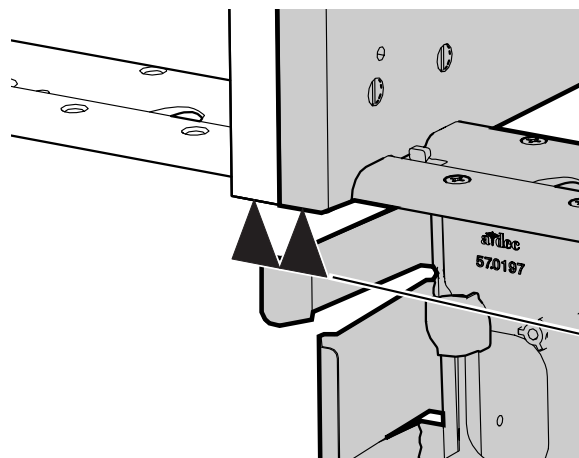
- 1** Position the two sections of the 84" configuration next to each other while aligning the holes in each module.



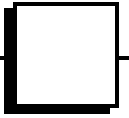
- 2** Use four barrel bolts from the kit to secure the lower modules to each other.



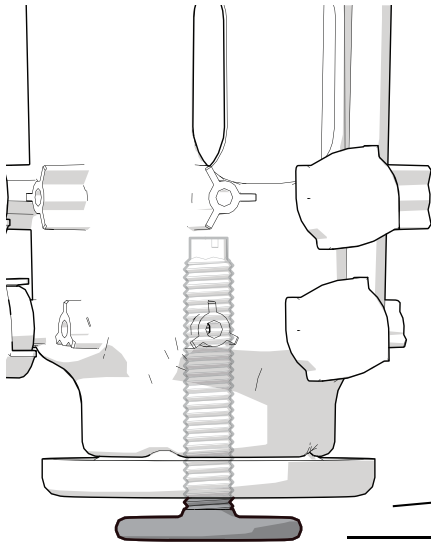
Actual Size



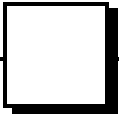
Bottom
Edges
Are
Flush



TIP To align the holes for the fasteners, check that adjacent side panel bottoms are flush. Use the leveling screws in the cabinet's feet to adjust the height of the panels (see below).

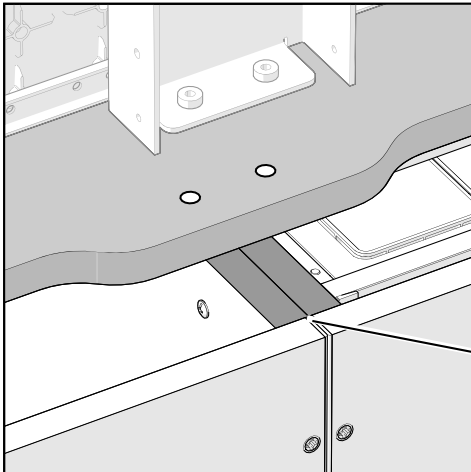


NOTE Extend the leveling screw (turn it clockwise) to raise the cabinet.



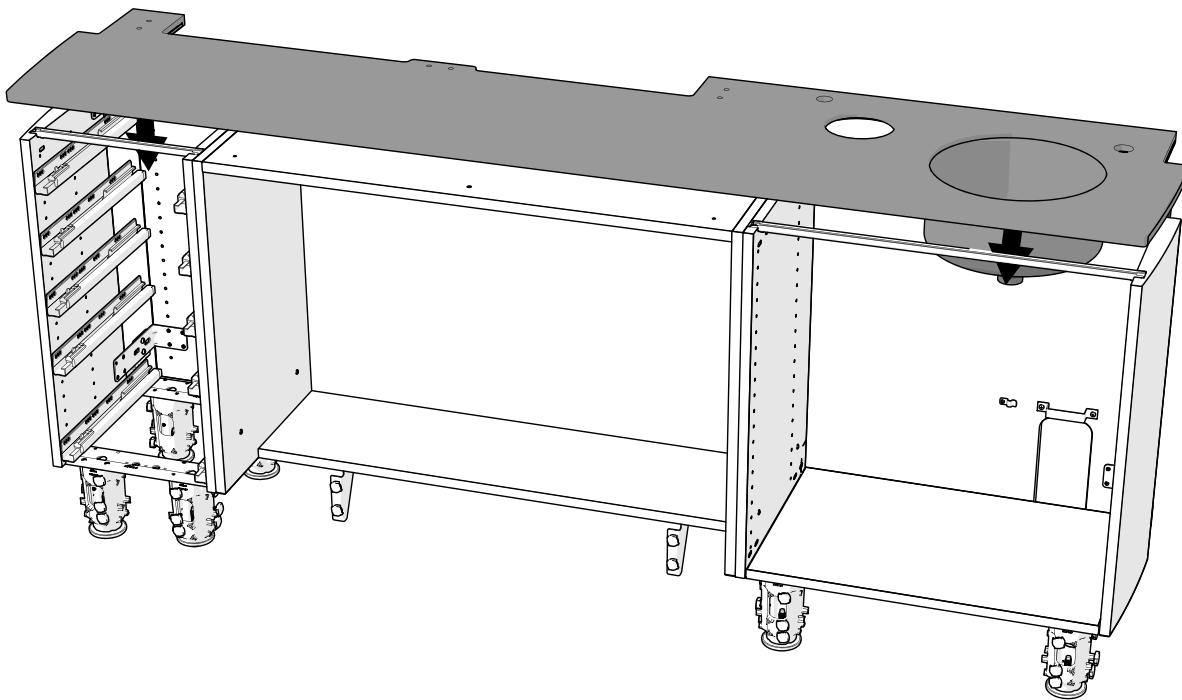
Install the Countertop

- 1 Place the countertop on the cabinet.

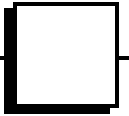


READ THIS! Check the positioning of the power panel on the cabinet before continuing. If the mounting holes in the center column of the power panel are located over the seam of adjoining cabinets, you must secure the power panel to the countertop before securing the countertop to the cabinet. Continue with “Center Column Over Seam” on page 13.

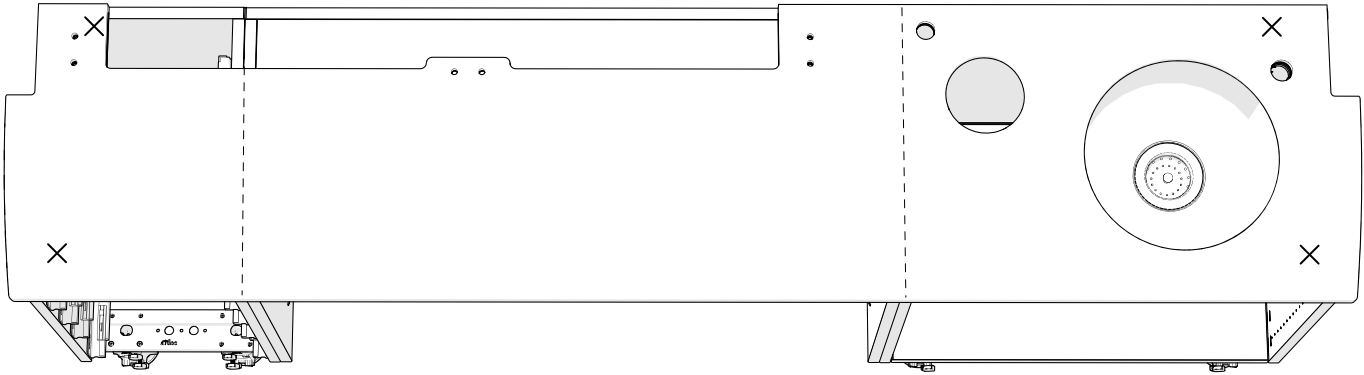
Seam



- 2 Center the countertop side to side.



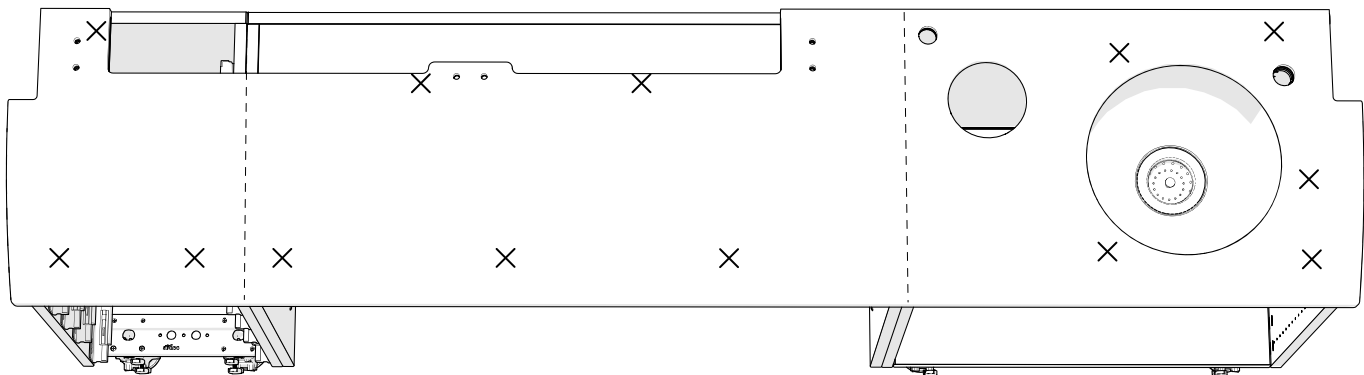
3 To secure the countertop to the rails, install the screws in the following locations according to the cabinet's configuration.



Quartz Countertop Over All Lowers



**Screw for Quartz
Countertops
Actual Size**



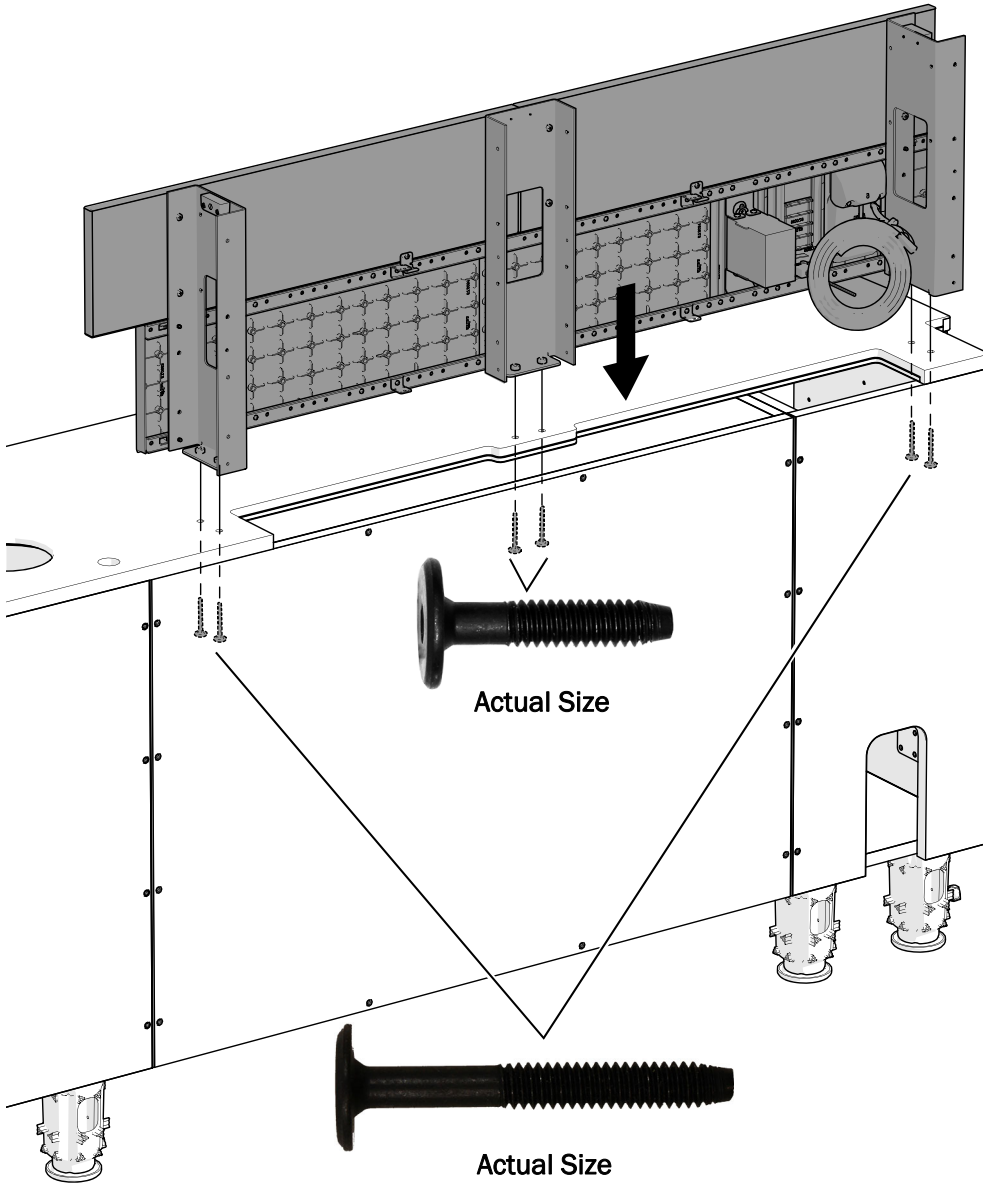
Solid Surface Countertop Over All Lowers



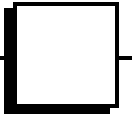
**Screw for Solid
Surface Countertops
Actual Size**

C Install the Power Panel

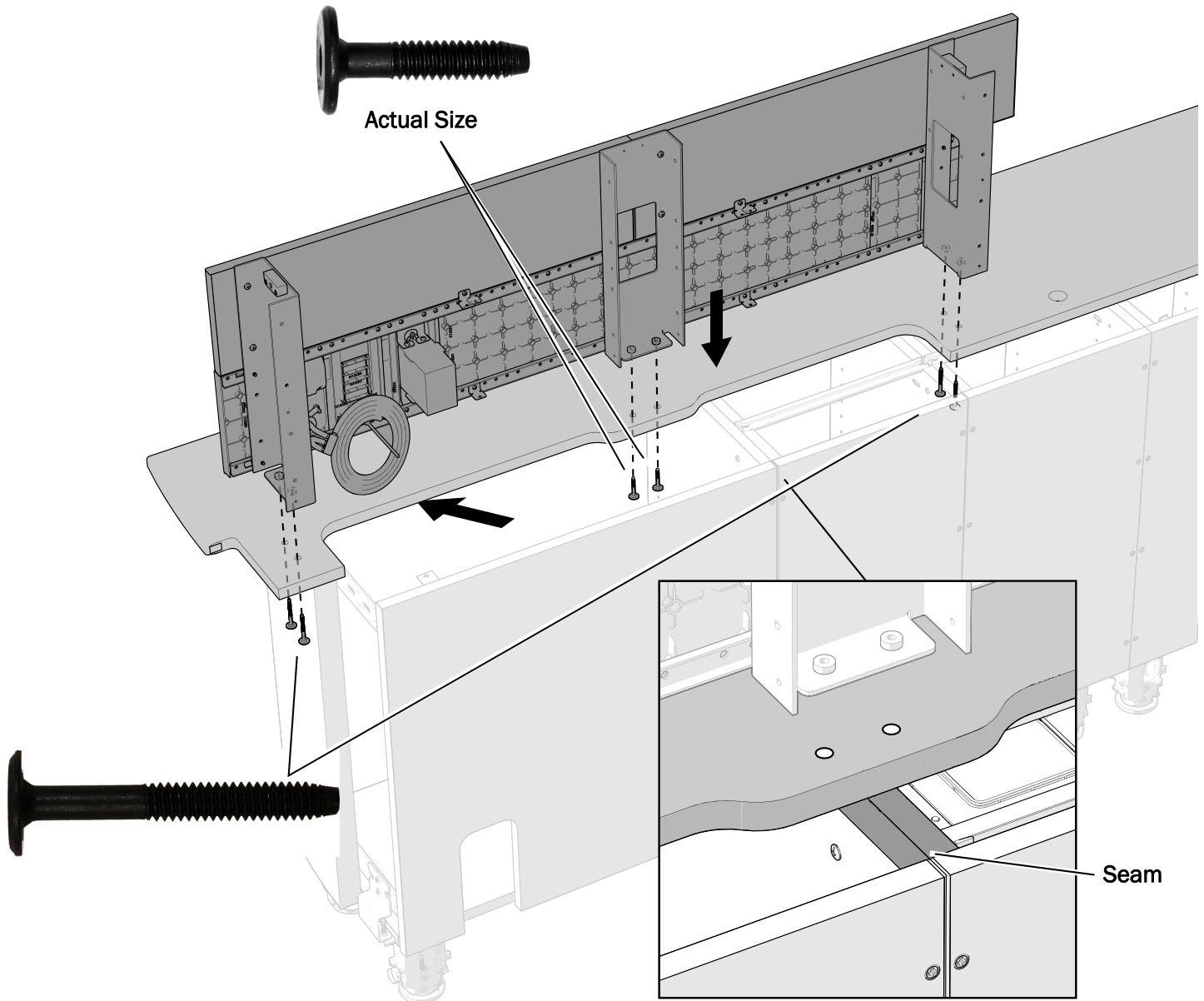
Standard Installation



- 1** Access the screw holes from inside the cabinet and use the six screws to secure the power panel to the countertop.

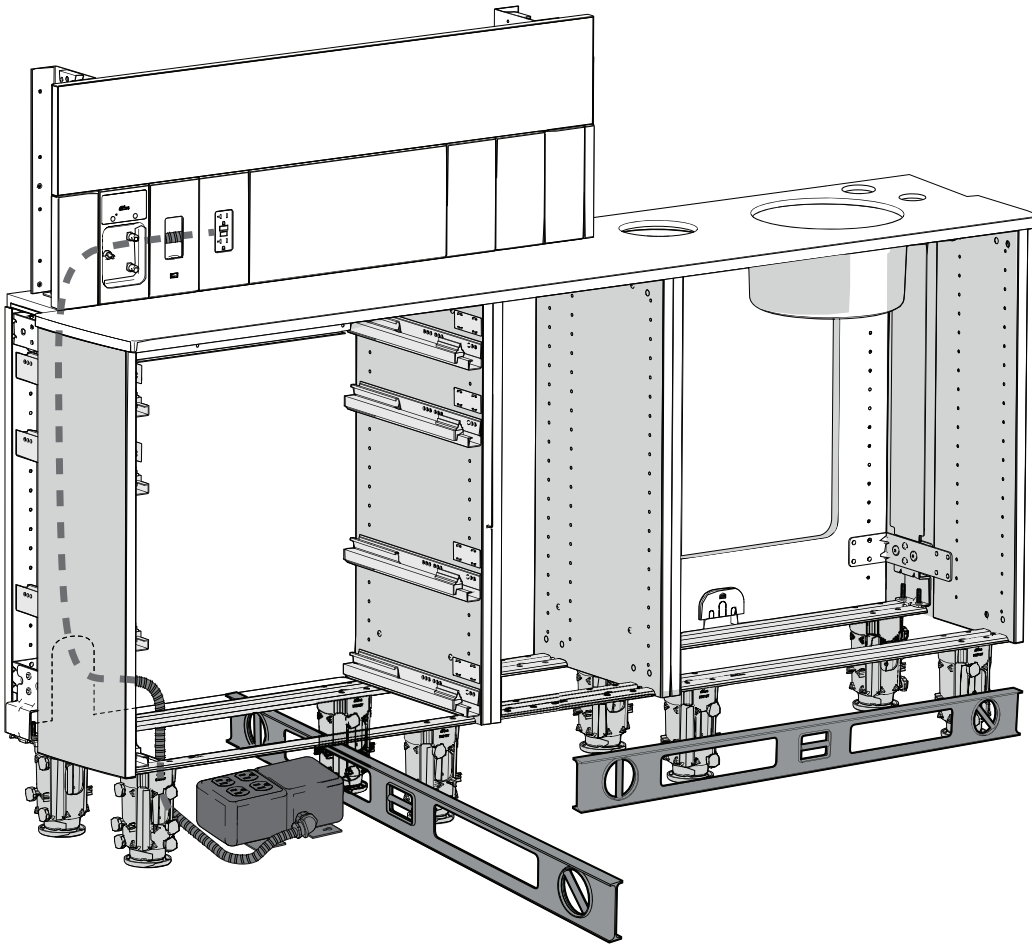


Center Column Over Seam



- 1** Move the countertop forward and to the side to offset it; then use the six screws to secure the power panel to the countertop.
- 2** Continue with step 2 under “Install the Countertop” on page 10.

D Position and Level the Lower



CAUTION The distribution box plugs into the quad box. A licensed electrician or other qualified personnel is required to connect the quad box per local codes and regulations.

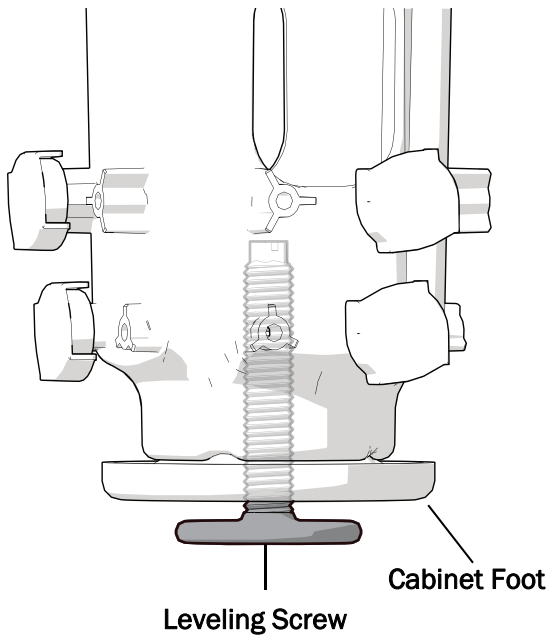
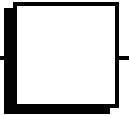
- 1 Unwrap the quad box if there is one; then route it and the conduit behind the back rail.
- 2 Position the lower so that the sink is in a good location to access the utilities.
- 3 Use a four-foot level to identify the high point of the floor by the cabinet, for both side to side and front to back.



TIP For a frame of reference while leveling, mark the high spot with a piece of tape in front of the cabinet.



NOTE Read all of the steps on the next two pages before beginning the leveling procedure.



CAUTION When adjusting the leveling screw, be sure to use a 6 point socket. 12 point sockets can damage the screws.

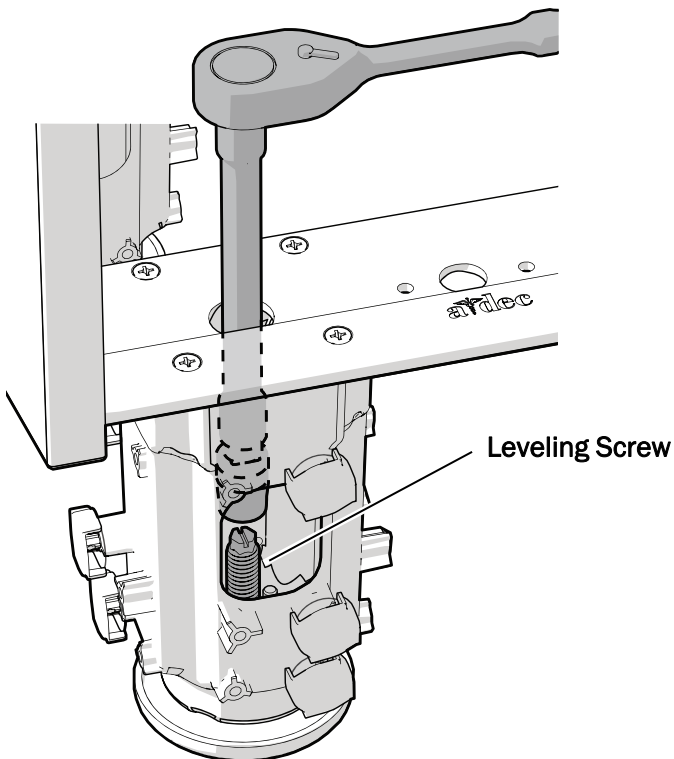


CAUTION To maintain the complete look and functionality of the cabinet, do not raise the cabinet more than 3/4" (19 mm).

- 4** Starting at the ends of the cabinet, use a 5/16" socket and ratchet (with extension) to adjust the leveling screws as needed.



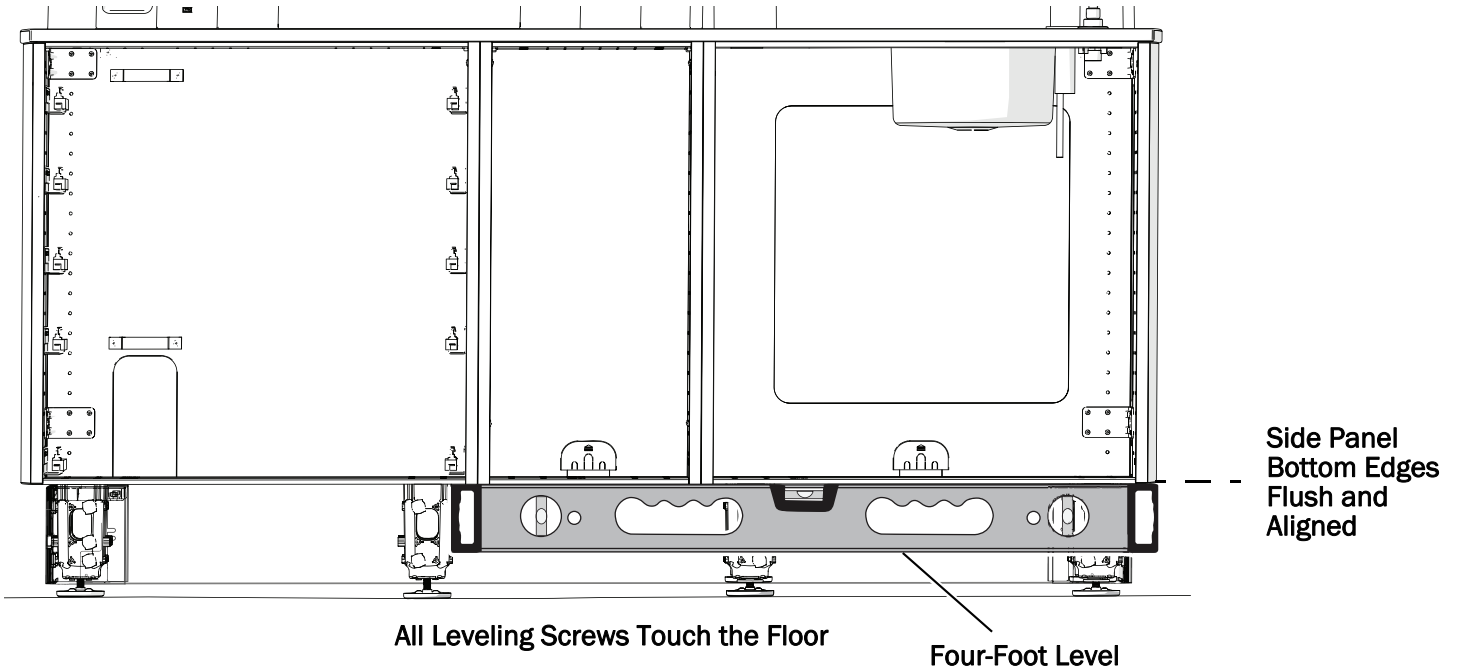
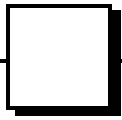
NOTE Extend the leveling screw to raise the cabinet. Retract the screw to lower the cabinet.



- 5** Work from side to side and end to end. Adjust the leveling screws to raise cabinet sections until they are even with the high point and the entire cabinet is level.



NOTE Continue to alternate side to side and end to end adjustments during the entire leveling process.



6 Use a straight edge to make sure the bottom edges of all the side panels, from module to module, are flush and aligned. A base cover may be used if no other straight edge is available.

7 Make sure all of the leveling screws are touching the floor.



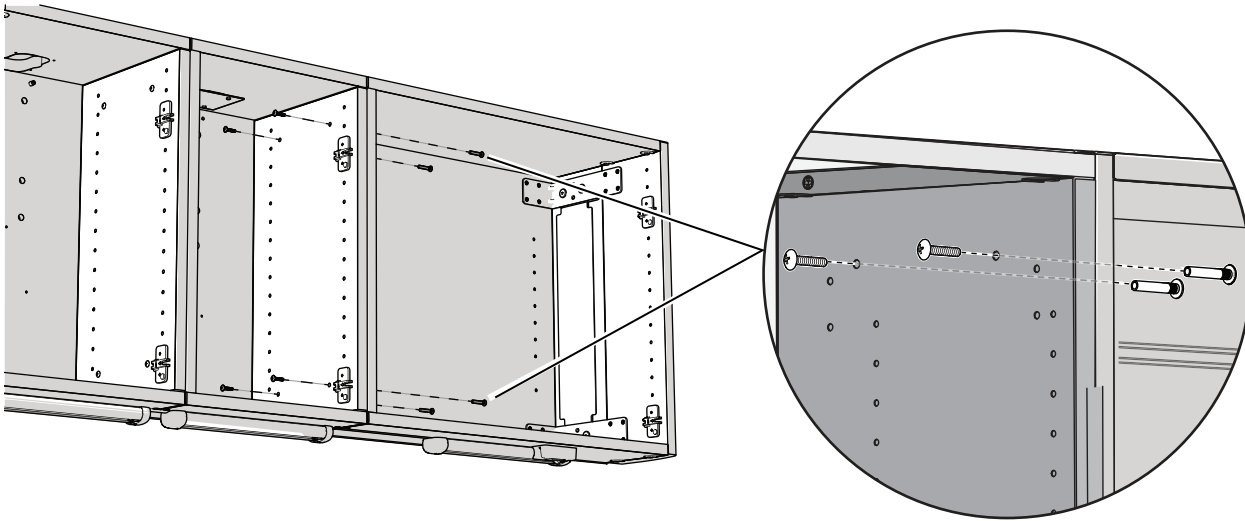
TIP To check that the leveling screw is touching the floor, try to slide a piece of paper under it.

Next Step See the section for the cabinet's configuration:

Lower with wall-mounted upper cabinets - See "Secure Two Upper Storage Modules (optional)" on page 17, if applicable, and "Install the Alcove" on page 18.

Lower only - See "Anchor the Cabinet to the Floor" on page 26.

Secure Two Upper Storage Modules (optional)

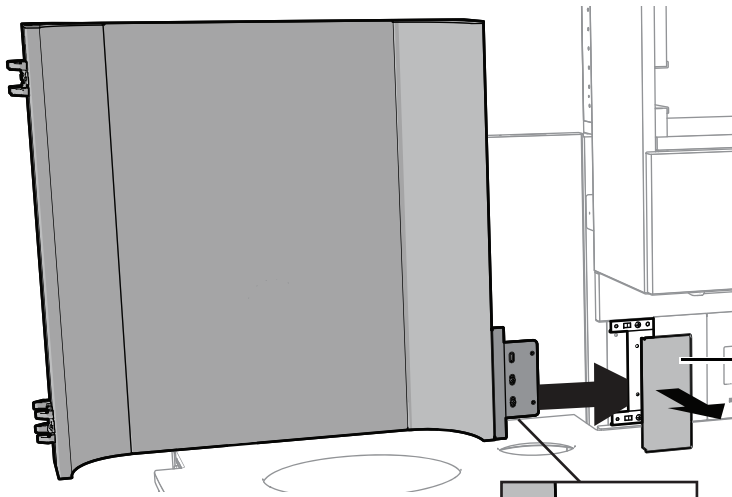


- 1** Use two barrel bolts to secure the two upper storage modules to each other.

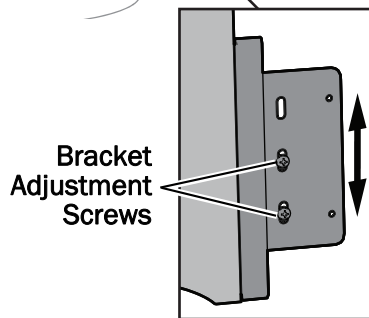


TIP Use an awl to align the holes and to start the barrel bolts.

F Install the Alcove

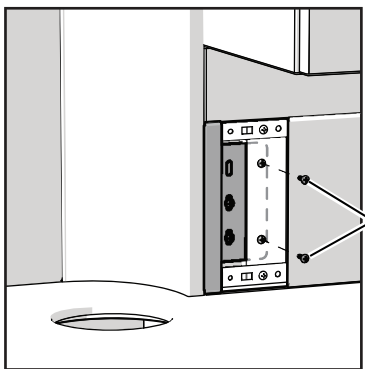


1 Pull off the access panel.



2 On the alcove, loosen the bracket adjustment screws until the bracket can move up and down.

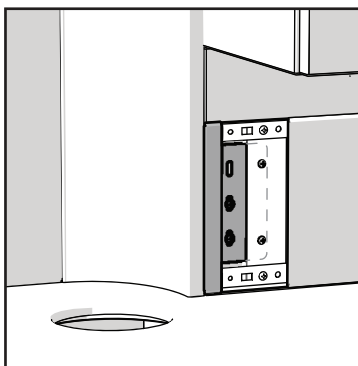
3 Slide the alcove bracket behind the support column frame and place the alcove into position.



4 Align the holes in the bracket with the holes in the support column; then use a power screwdriver with a Phillips head bit to secure the alcove with two self-tapping screws.



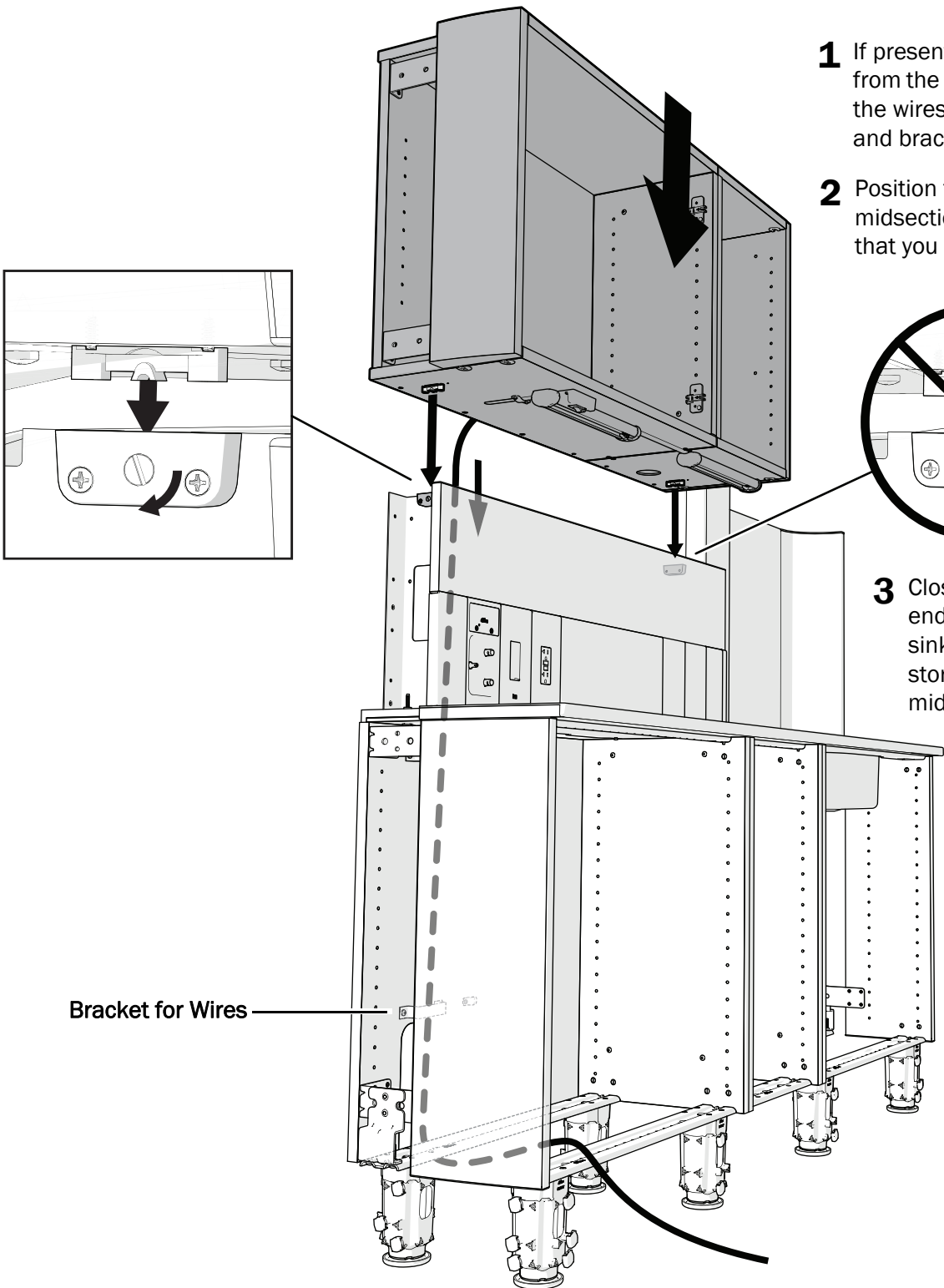
Actual Size



5 Tighten the adjustment screws.

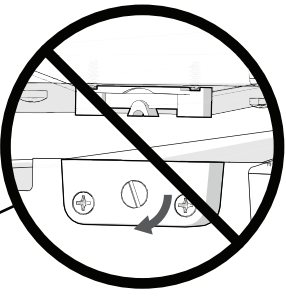
6 Reinstall the access panel.

Install the Upper Storage



1 If present, remove the cable tie from the wire harness and route the wires through the channels and bracket to the subbase.

2 Position the upper on the midsection wall while ensuring that you do not pinch the wires.

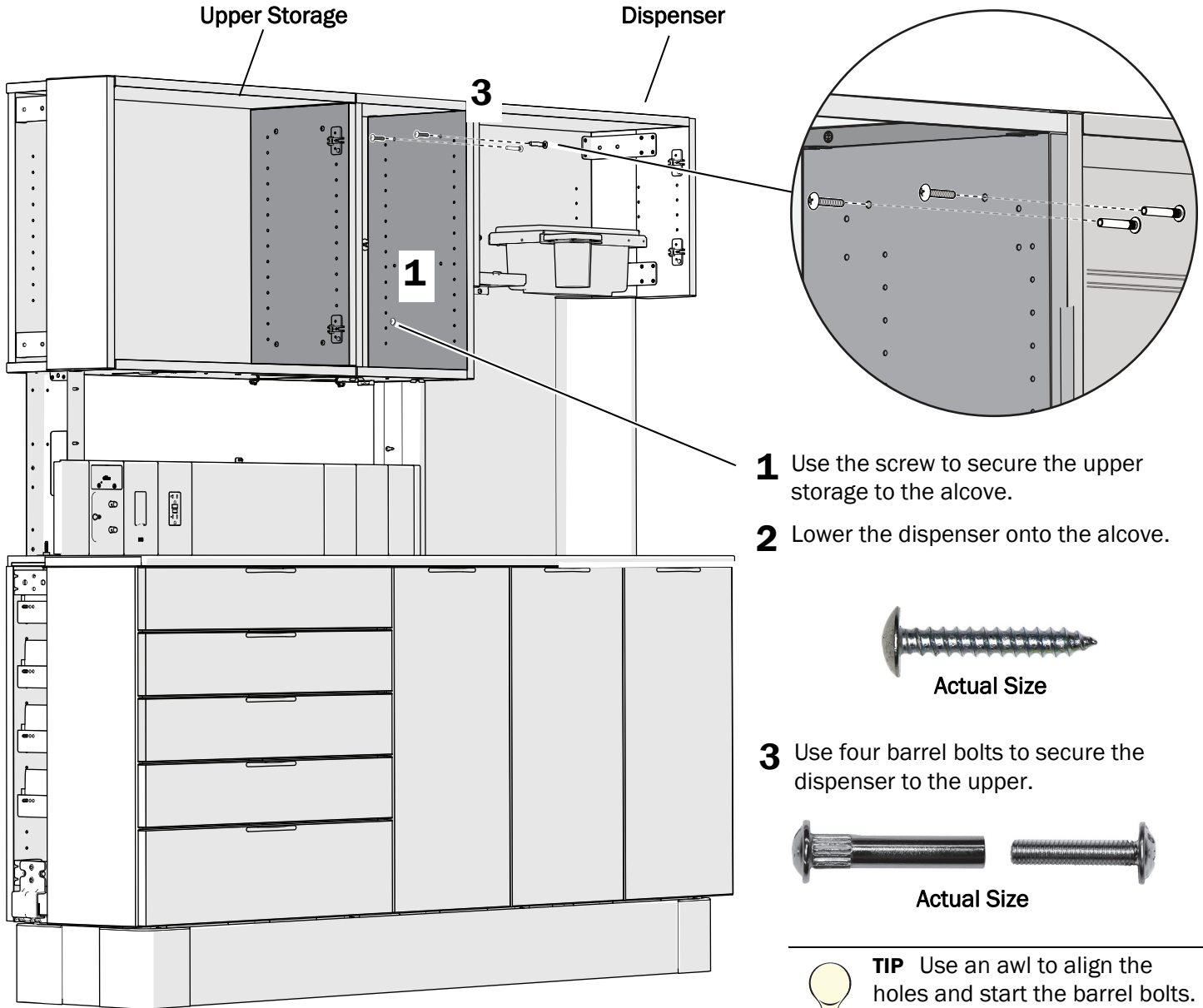


3 Close the cam at the end furthest from the sink to secure the upper storage cabinet to the midsection wall.

NOTE Do not close the cam nearest the sink. It should be left open for service access.

Bracket for Wires

H Secure the Upper Storage and Install the Dispenser



Upper Storage

Dispenser

3

1

- 1 Use the screw to secure the upper storage to the alcove.
- 2 Lower the dispenser onto the alcove.



Actual Size

- 3 Use four barrel bolts to secure the dispenser to the upper.

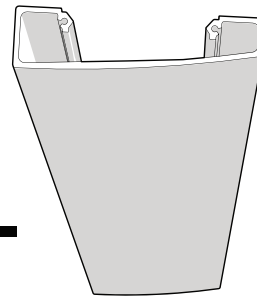
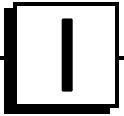


Actual Size

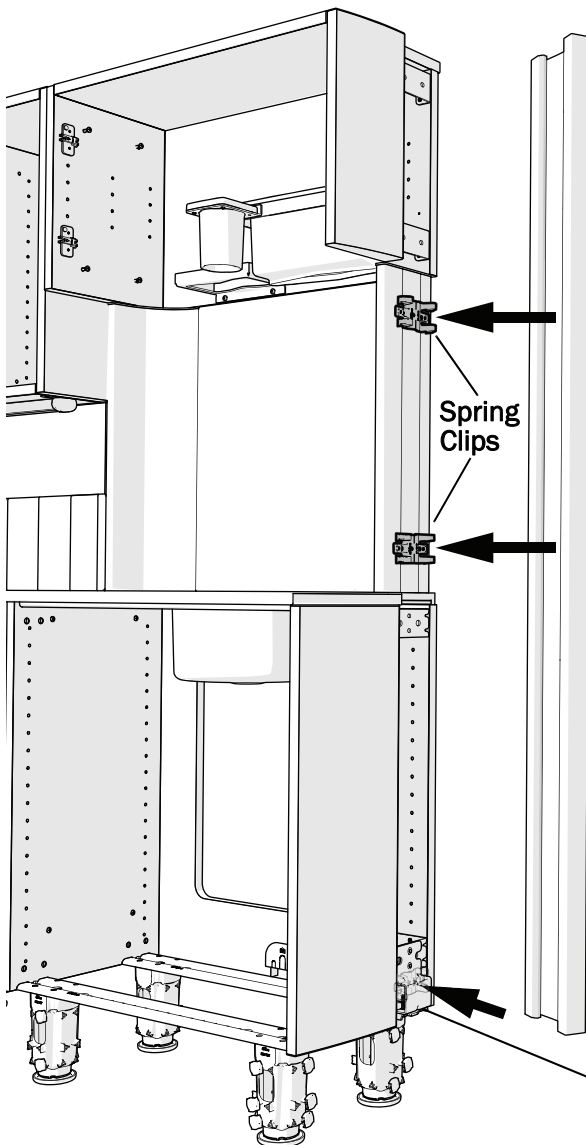


TIP Use an awl to align the holes and start the barrel bolts.

Install the Structural Column Covers

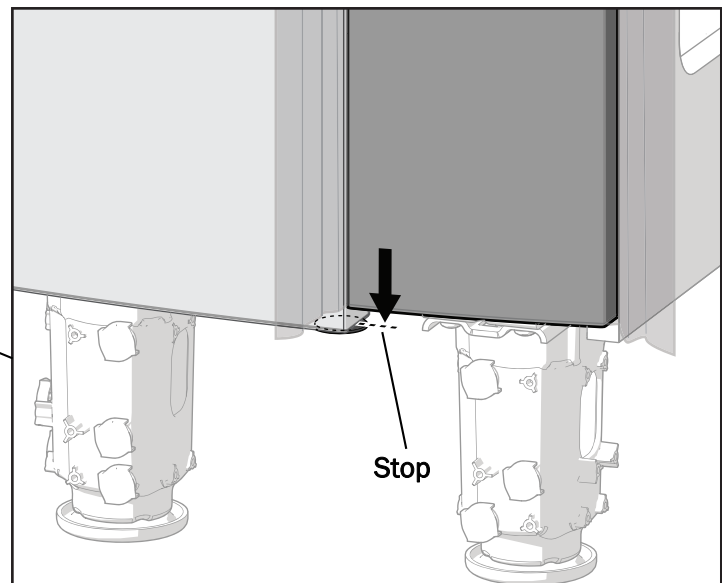


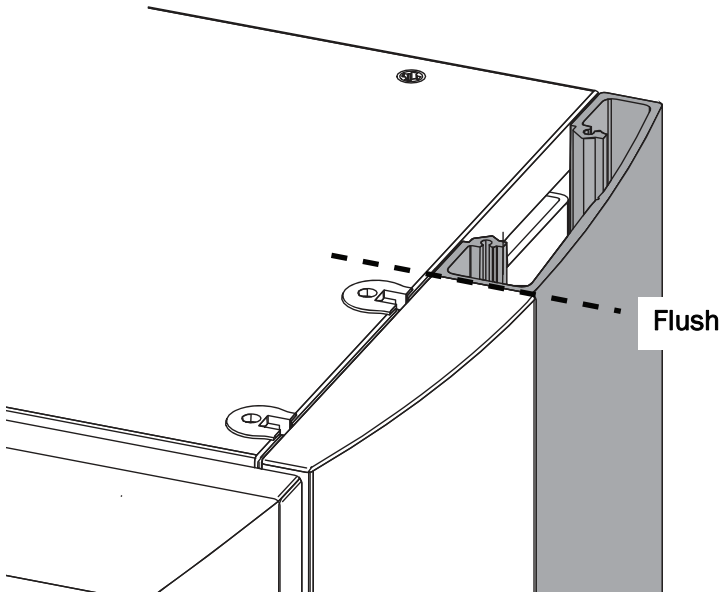
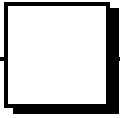
Narrow End Toward the Cabinet's Back



1 With the narrow end toward the cabinet's back, rest the cover on the stop.

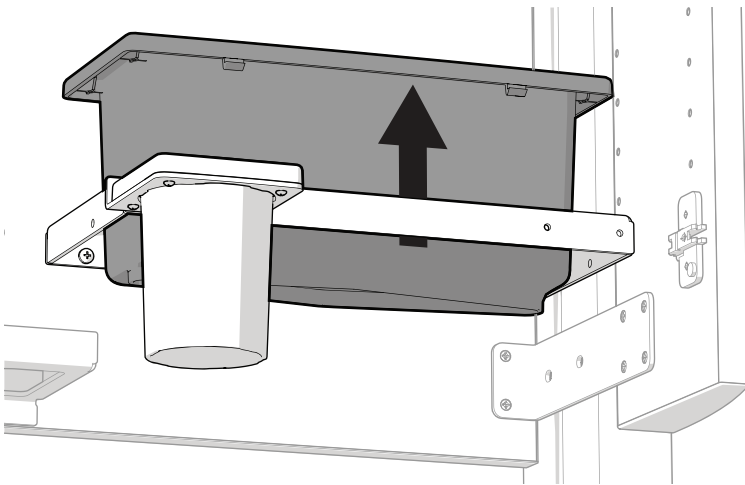
2 If there are spring clips, place the column cover on them. If there are no spring clips, hold the cover in place.



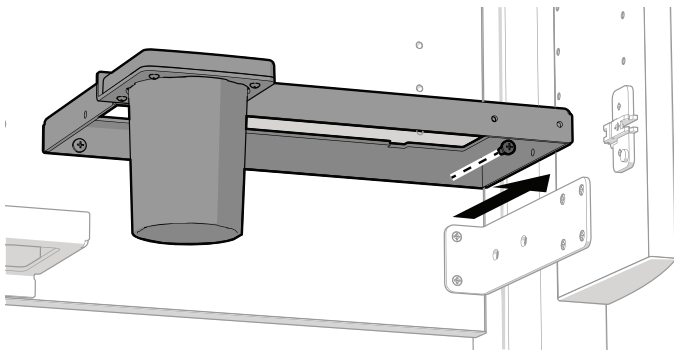
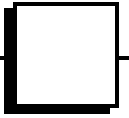


- 3** Verify that the top of the cover is flush with the top of the upper cabinet.

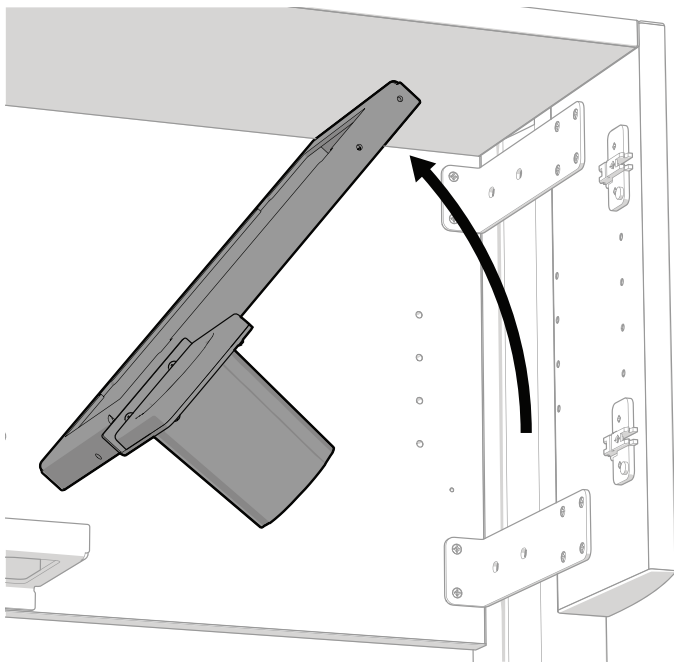
Install the Column Cover Brackets



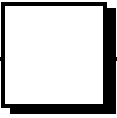
- 1** Remove the towel dispenser.



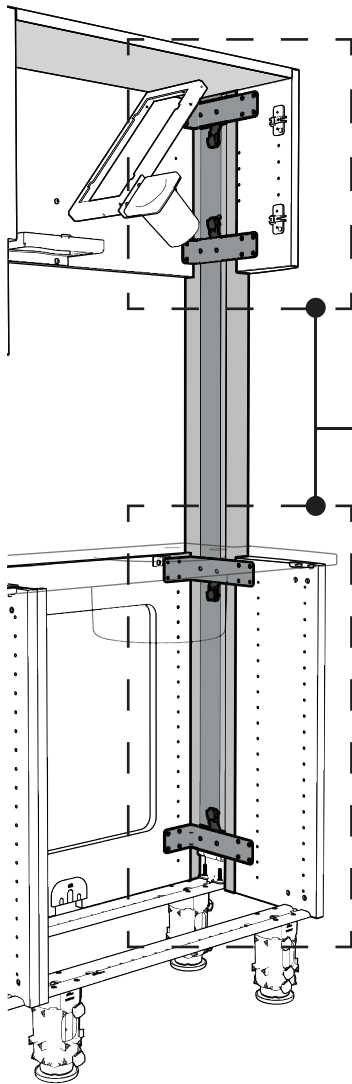
- 2** Remove the screw securing the towel dispenser bracket that is closest to the column cover.



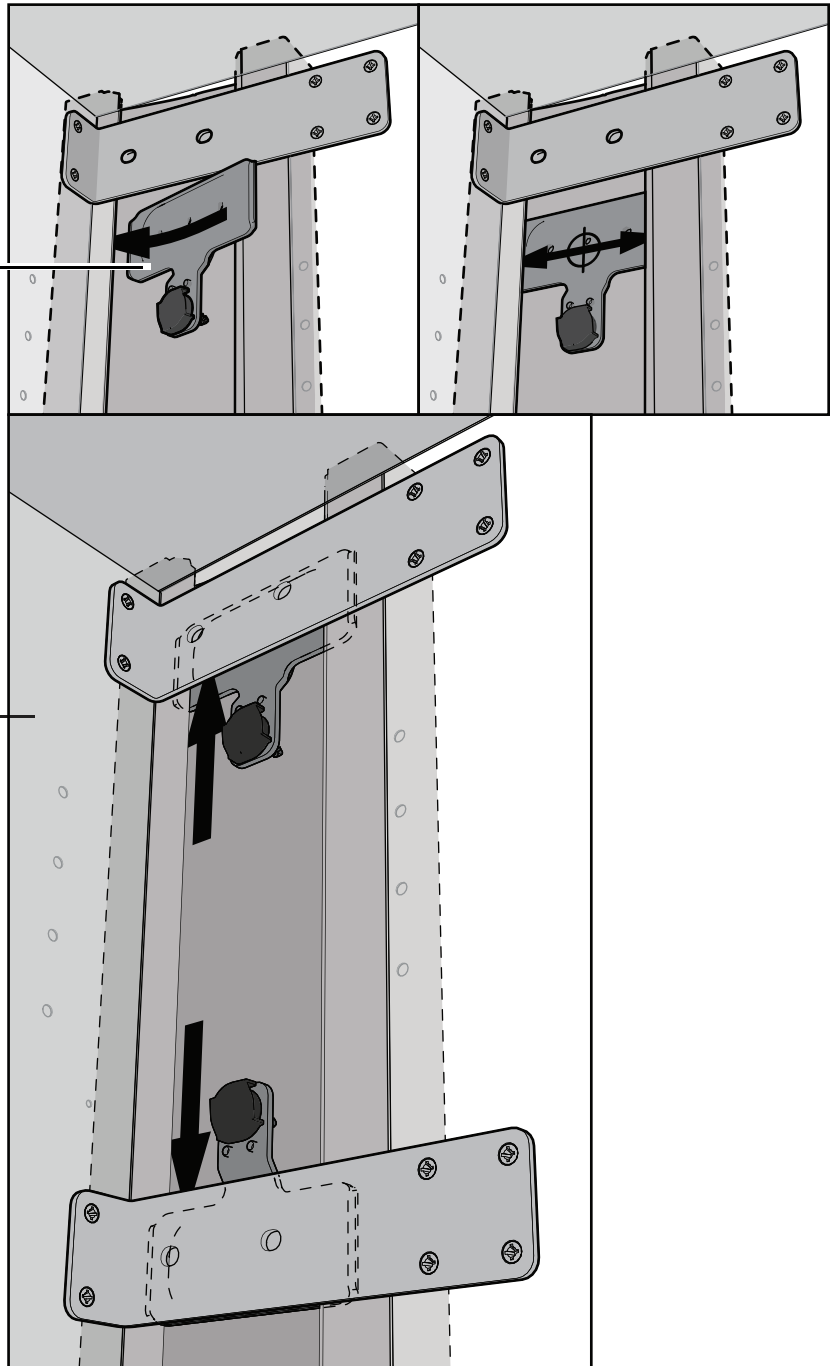
You can now rotate the bracket out of the way while completing the steps on pages 24 - 25.



NOTE If the lower contains a drawer bank, an interior column cover will not be installed in it.

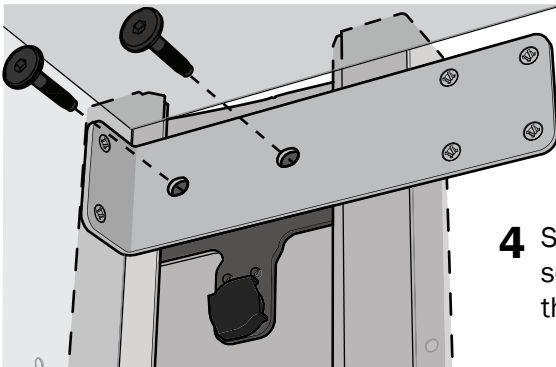
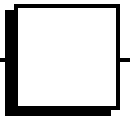


Column
Cover
Bracket



3 Insert the four column cover brackets inside the column cover (note the orientation in each section).

Next Step See "Prepare the Holes" on page 30.

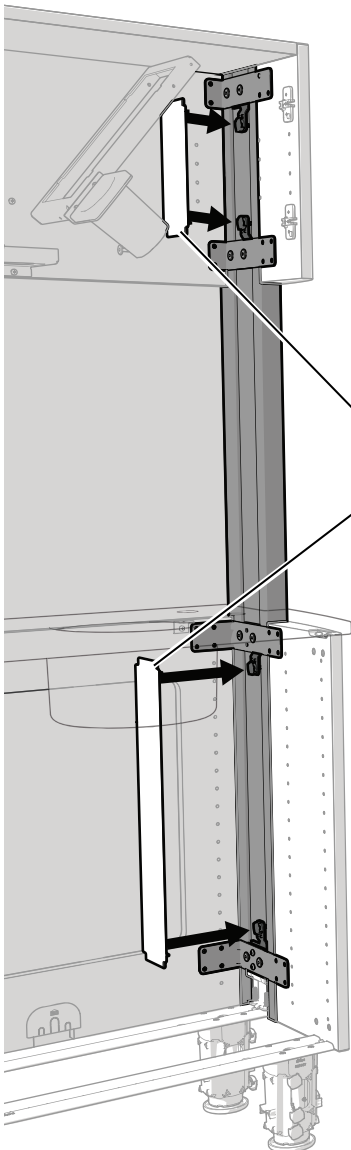


Actual Size

- 4** Starting at the top bracket, use a 5/32" hex key and two screws to secure each column cover bracket to the retaining brackets. Make sure the top of the column cover stays level with the top of the cabinet.



TIP You may need to press the upper storage or dispenser and column cover together when tightening the screws to eliminate any gap.



- 5** Install the interior column covers. They are held by the brackets' magnets.

Interior Column Covers

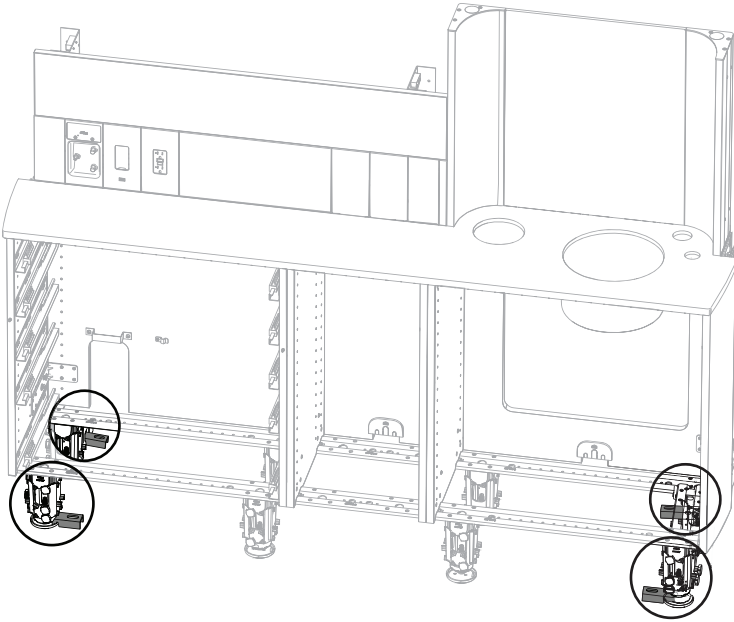


NOTE If the lower contains a drawer bank, an interior column cover will not be installed in it.

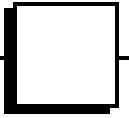
- 6** Reinstall the screw securing the towel dispenser bracket, then reinstall the towel dispenser.

J Anchor the Cabinet to the Floor

Determine the Anchor Locations



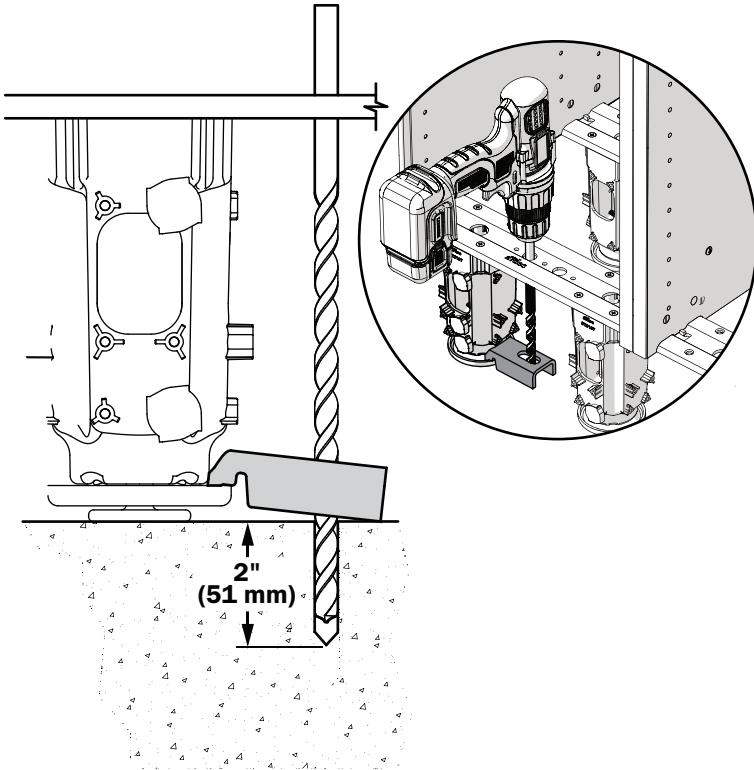
For all configurations, it is recommended to place two anchors on the front feet and two anchors on the back feet.



Secure the Anchors

At each anchor location, complete the steps in the section for the type of floor. See the next page for wood floors.

Concrete Floors



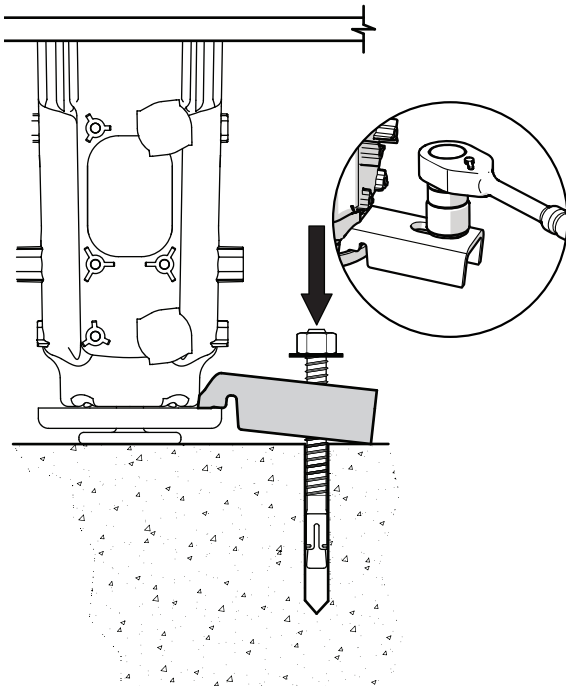
WARNING If the flooring material is not at least 4" (101.6 mm) thick, consult a licensed contractor about adding reinforcement to the flooring.

- 1 Place the anchor on the foot or support column and align it with a hole in the rail. Through the aligned holes in the rail and anchor, use a 10" long 3/8" bit to drill a hole a minimum of 2" (50.8 mm) deep.



TIP If you need to place the anchor in a location other than beneath the rail hole, position the anchor on the foot and use it as a template for drilling the hole.

- 2 Clear the hole of all debris.



- 3 Place the washer and nut on the anchor bolt, then insert the bolt through the anchor into the hole.

- 4 Drive the bolt into the hole until the washer is touching the anchor.



TIP Use a 1/2" dowel or anchor drill hammer bit to help drive the anchor bolt.

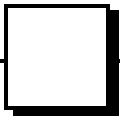
- 5 Use a 9/16" socket and ratchet to tighten the nut until it is snug against the anchor.

Next Step

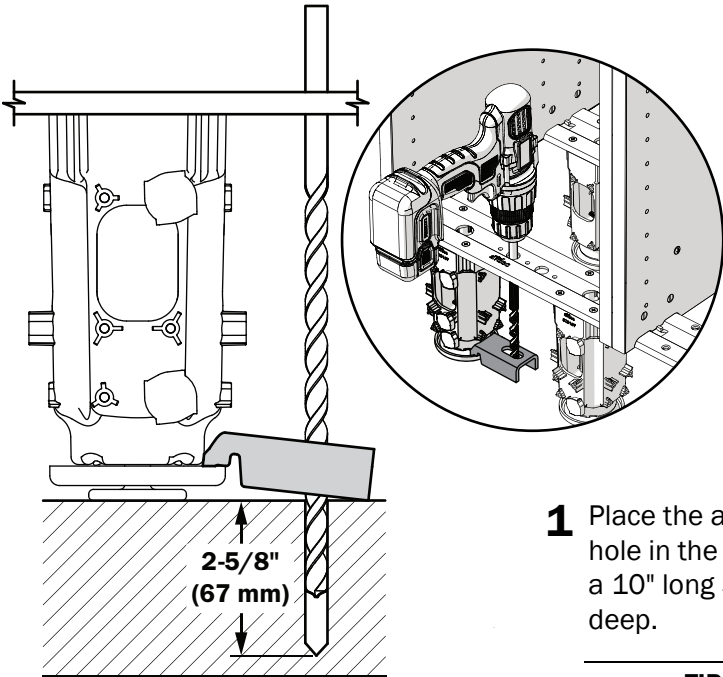
See the section for the cabinet's configuration:

Lower with wall-mounted upper cabinets - See "Anchor the Cabinet to a Structural Wall" on page 29

Lower only- See "Install the Accessories" on page 33



Wood Floors

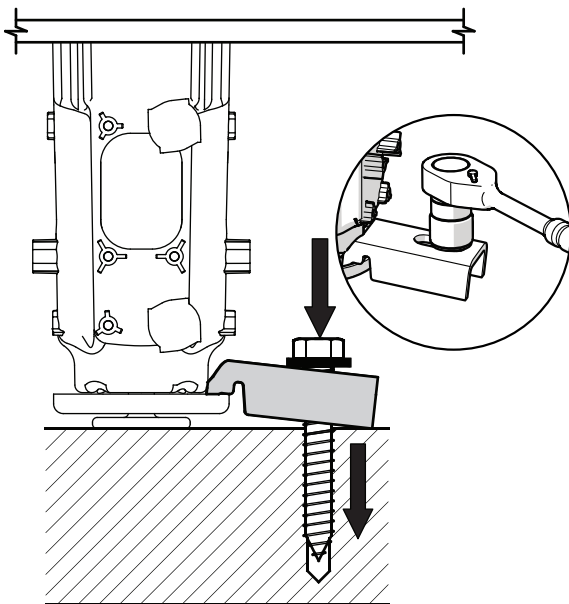


WARNING If the flooring material is not at least 3" (76.2 mm) thick, consult a licensed contractor about adding reinforcement to the flooring.

- 1** Place the anchor on the foot or support column and align it with a hole in the rail. Through the aligned holes in the rail and anchor, use a 10" long 3/8" bit to drill a hole a minimum of 2-5/8" (66.7 mm) deep.



TIP If you need to place the anchor in a location other than beneath the rail hole, position the anchor on the foot and use it as a template for drilling the hole.



- 2** Place the washer on the anchor bolt, then insert the bolt through the anchor into the hole.
- 3** Use a 3/4" socket and ratchet to tighten the bolt until it is tight against the washer and firmly secures the cabinet to the floor.

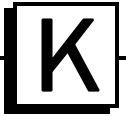
Next Step

See the section for the cabinet's configuration:

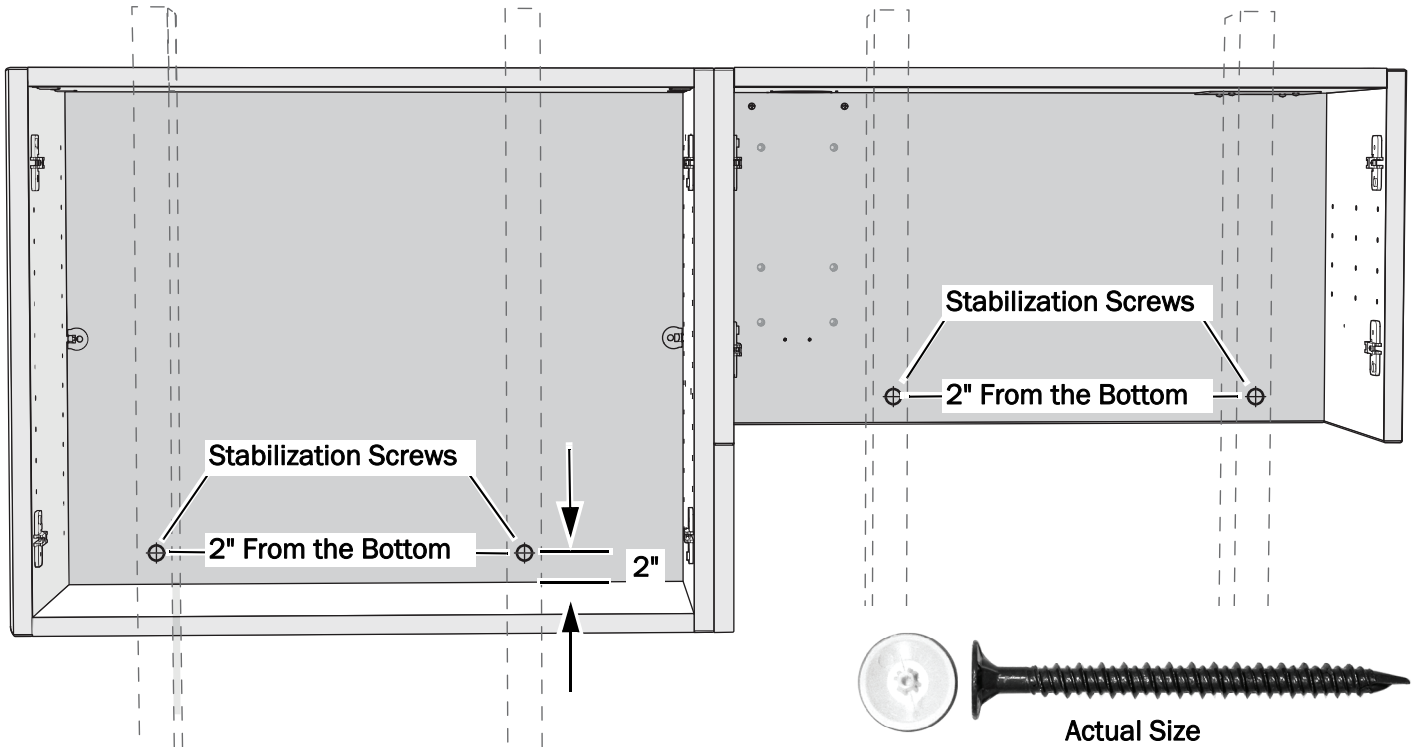
Lower with wall-mounted upper cabinets - See "Anchor the Cabinet to a Structural Wall" on page 29

Lower only- See "Install the Accessories" on page 33

Anchor the Cabinet to a Structural Wall



Install the Stabilization Screws



- 1** Use a 3/16" drill bit to drill a pilot hole through the cabinet back at the center of each stud 2" (51 mm) above the bottom of the cabinet. Drill through the cabinet back but not into the stud.
- 2** Install two stabilization screws per cabinet module, where possible.
- 3** Install the cover caps on the screws.

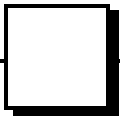
Install the Hex Fasteners

Anchoring Requirements

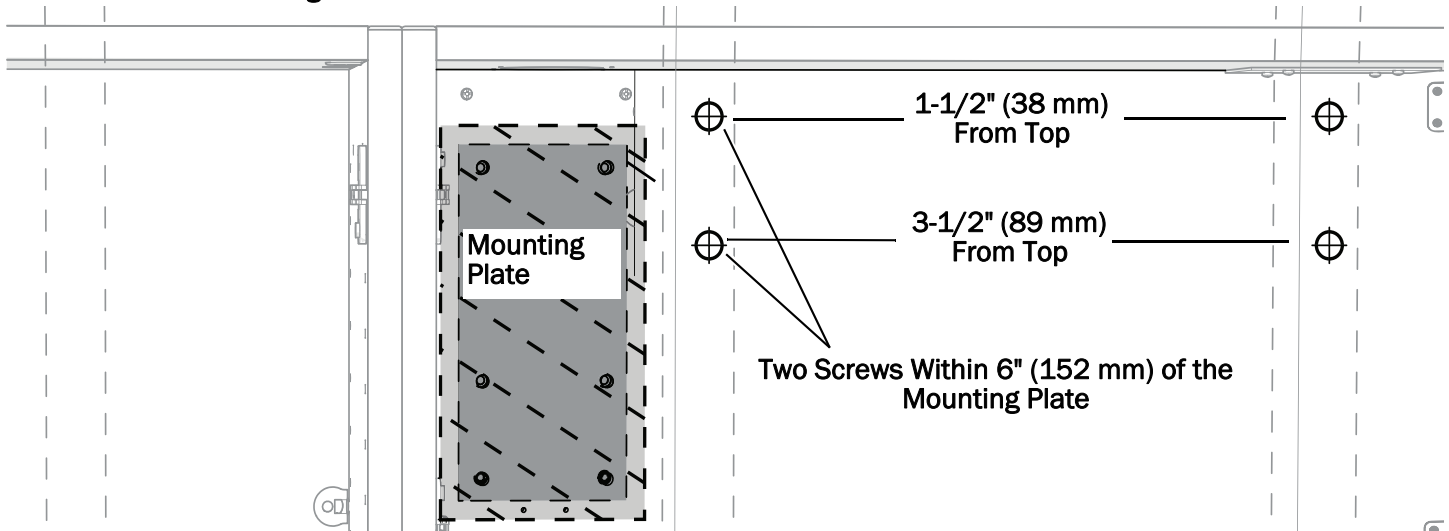
Modules Without a Mounting Plate

Install hex fasteners in the uppers anywhere in the stud(s) according to the following minimum standards.

Module Size	Number of Fasteners
28"	2 (one per stud but use a toggle anchor if necessary)
14"	1 per stud



Modules With a Mounting Plate

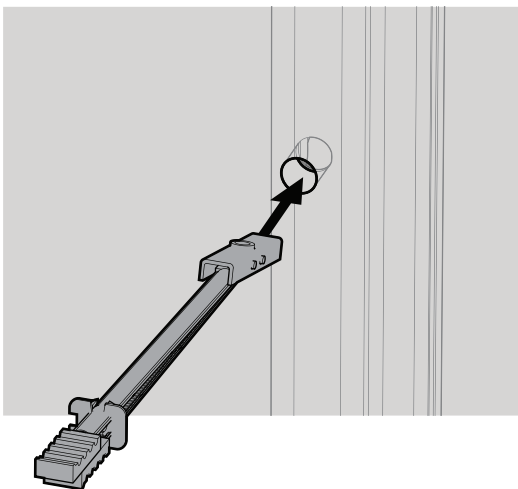


WARNING You must install two hex fasteners into two studs when a mounting plate is present. A total of four fasteners is required.

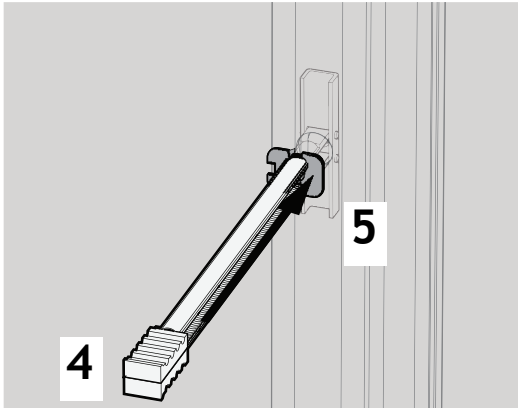
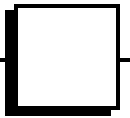
Prepare the Holes

- 1 Use a 3/16" drill bit to drill two holes into each stud in the locations shown in the image above.
- 2 Use a 5/16" drill bit to increase the size of the holes in the cabinets only. This creates clearance for the hex fastener.
- 3 Continue with "Install the Hex Fasteners" on page 31.

Metal Studs

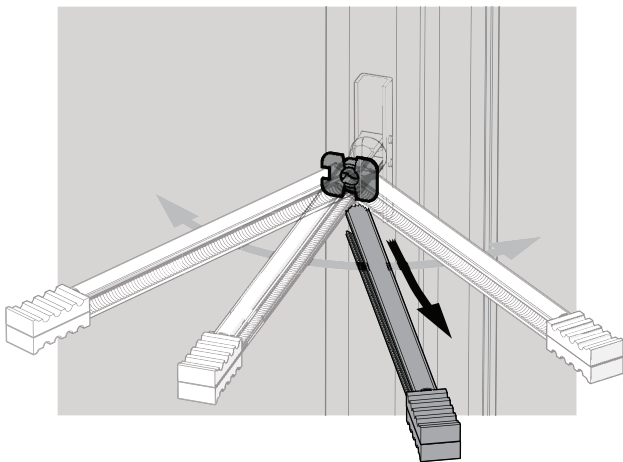


- 1 Use a 1/2" drill bit to drill a hole through the cabinet into each stud in the locations shown in the image above.
- 2 Hold the metal catch of the toggle anchor flat against the plastic strap.
- 3 Push the catch fully through the holes in the wall and stud.



4 Pull the handle of the toggle anchor straight out.

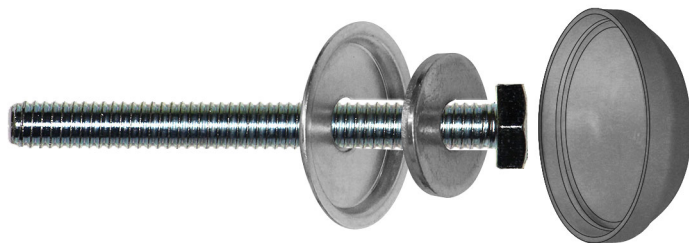
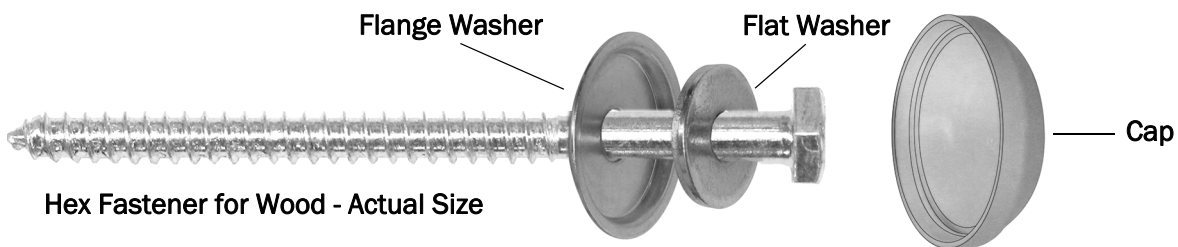
5 Slide the plastic cap down the strap until the cap is flush with the wall.



6 Rock the strap side to side, snapping it off at the wall.

7 Continue with “Install the Hex Fasteners” below.

Install the Hex Fasteners



1 Install the flat washer and then the flange washer for the cap onto the hex fastener.

2 Install the hex fastener into each hole and use a 7/16" socket and ratchet to securely tighten.

3 Install the cap over the hex fastener.



Install the Light or Monitor Mount

If the system includes a light or monitor mount, install it now. For installation instructions, see the installation guide that ships with the product to be installed.

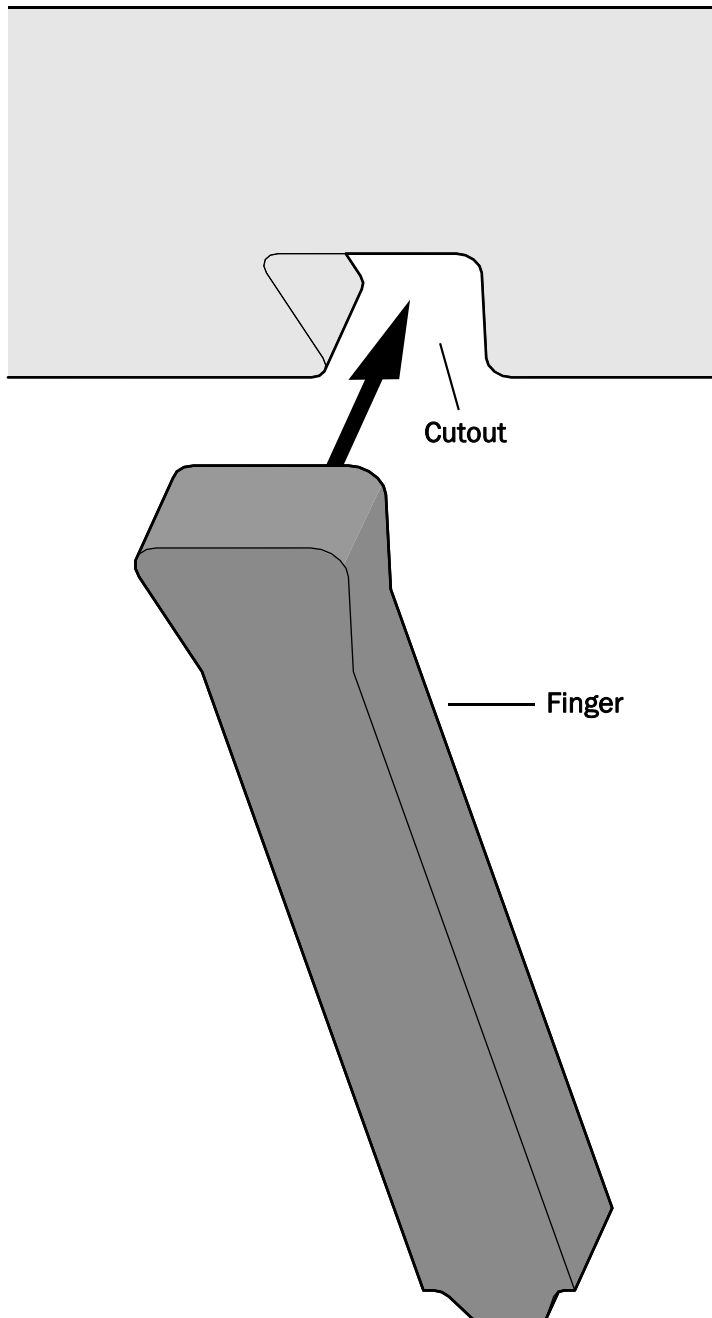
Install the Accessories



Install the Soap and Hand Sanitizer Dispensers

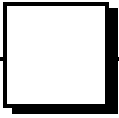
Prepare the Template

To protect it during shipping, the template ships with the fingers taped to the top of it. You must assemble the template before positioning it for the dispensers.



- 1** Carefully remove the tape securing the fingers to the template; then remove the fingers.

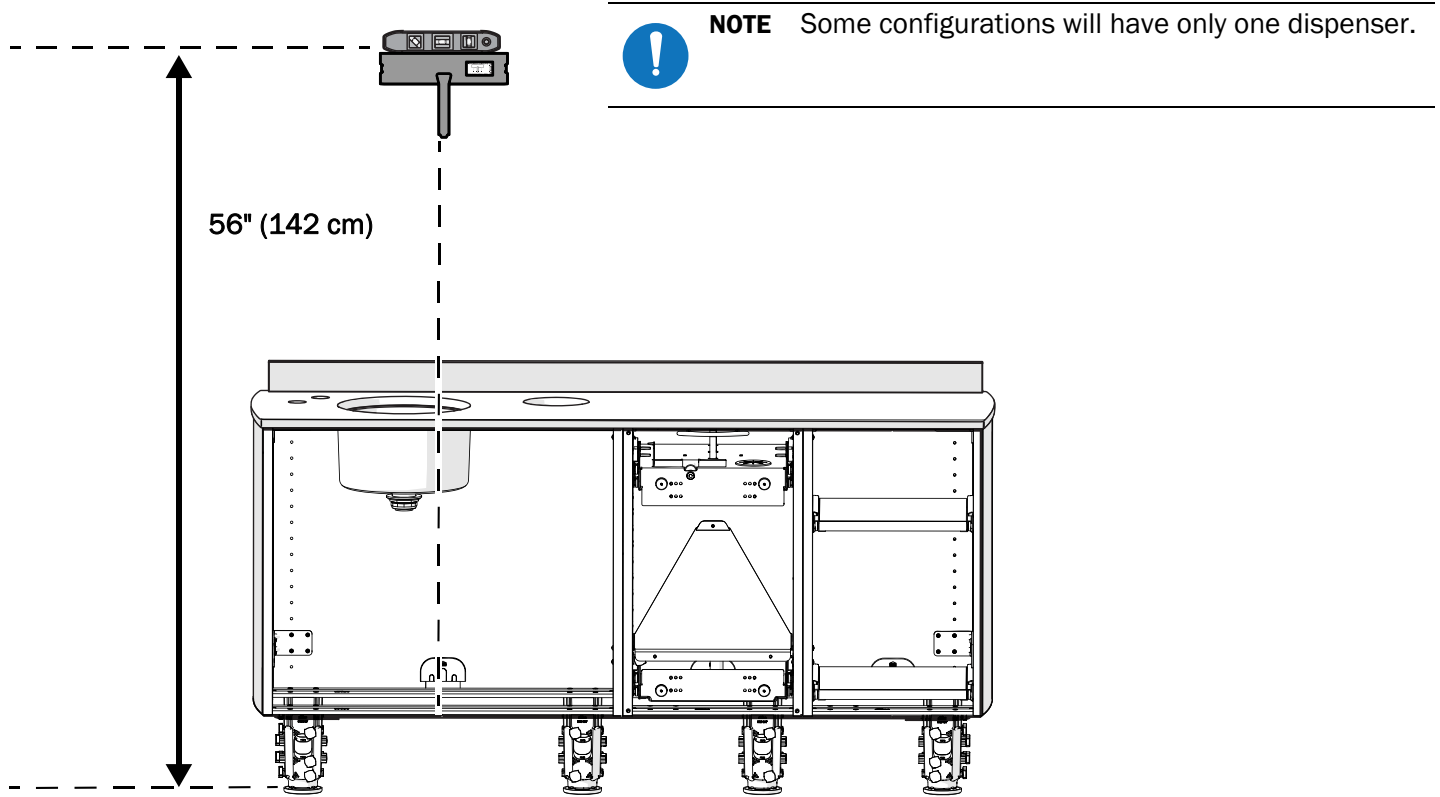
- 2** Snap the fingers into the cutouts at the bottom of the template.



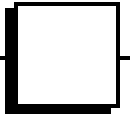
Install the Template

Install the template according to the cabinet's configuration.

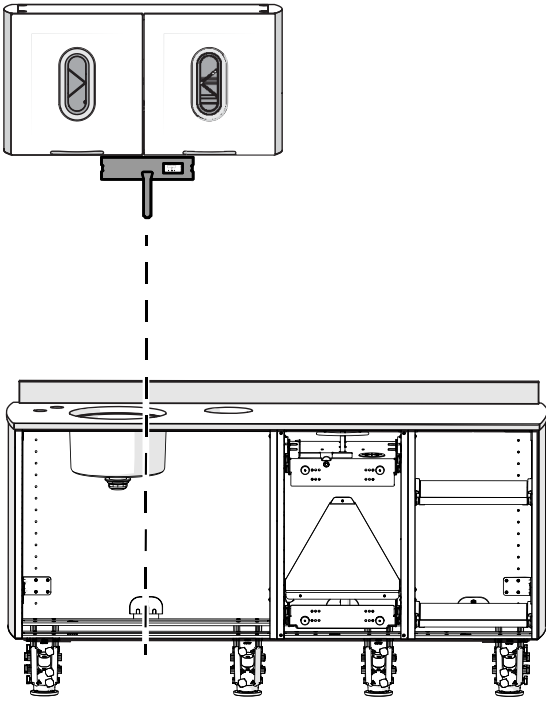
A-dec 593 Lower Cabinet Only



- 1** Measure 56" (142 cm) up from the floor.
- 2** Remove the protective layer from the back of the template to expose the adhesive.
- 3** Position the template centered over the sink module with its top 56" (142 cm) from the floor. Use a level to ensure the template is horizontal; then secure it to the wall by pressing it firmly.

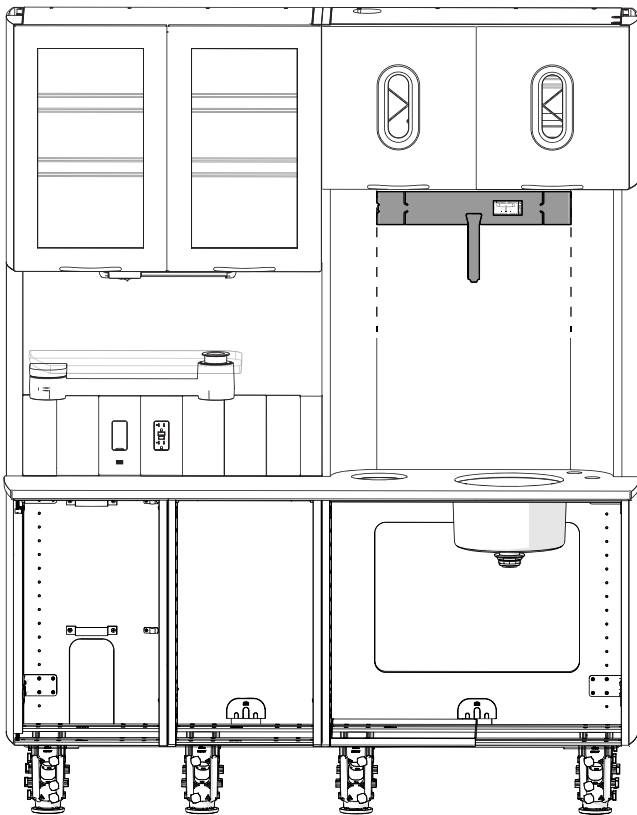


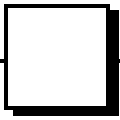
A-dec 593 Lower with A-dec Wall-Mounted Cabinets



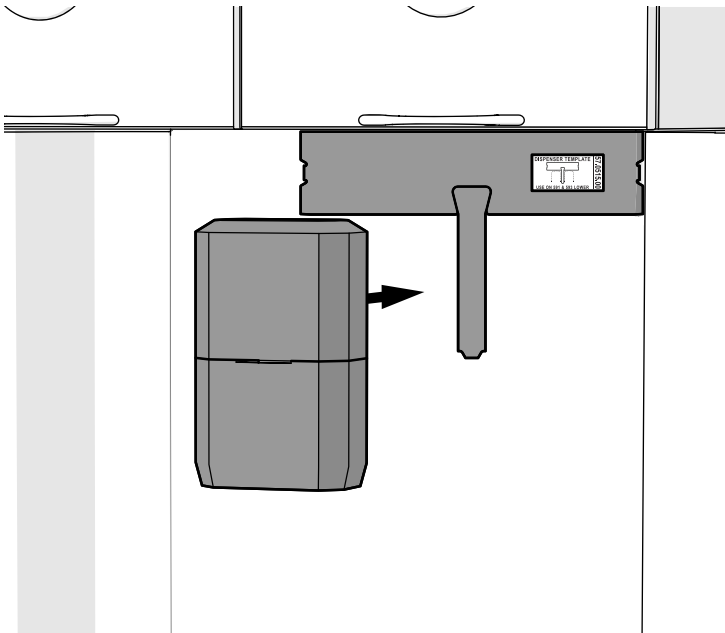
- 1** Remove the protective layer from the back of the template to expose the adhesive.
- 2** Position the template according to the cabinet's configuration.
 - **A-dec 593 Lower with an A-dec 595 Upper Dispenser**—Align the top of the template with the bottom of the wall-mounted cabinet and center it over the sink module. Press it firmly to secure it to the wall.
 - **A-dec 593 Side Console**—Align the top of the template with the bottom of the upper cabinet and the sides of the template where the alcove begins to curve. Press it firmly to secure it to the back of the alcove.

A-dec 593 Full Side Console



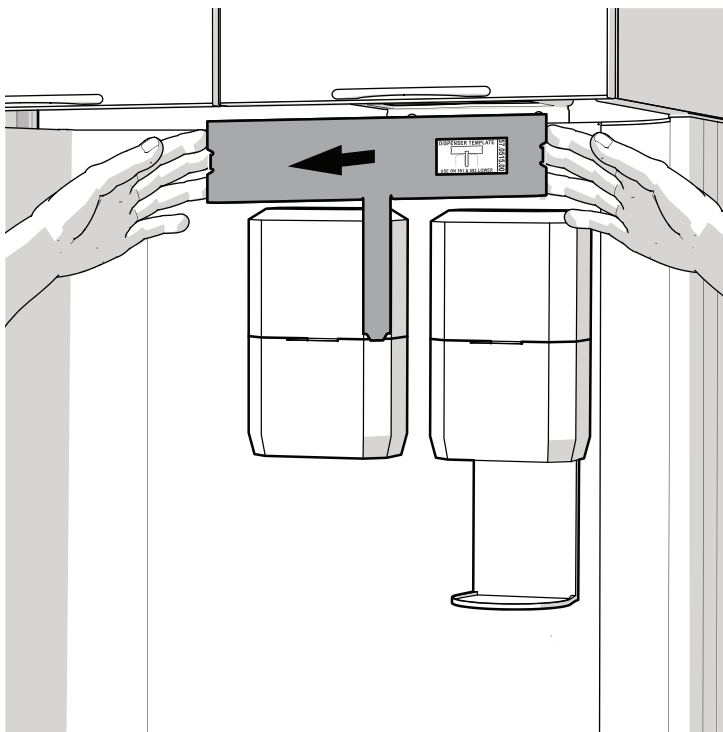


Install the Dispensers



CAUTION Do not allow the dispenser to touch the alcove until it is in position. The adhesive is very strong and the dispenser is not easily removed once it is attached.

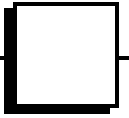
- 1** Remove the protective layer from the back of the soap dispenser.
- 2** Position the soap dispenser with its top and right sides flush against the left side of the template, then secure it to the alcove. Anchor the dispenser using the screws that shipped inside it.
- 3** Remove the protective layer from the back of the hand sanitizer dispenser.
- 4** Position the hand sanitizer dispenser with its top and left sides flush against the right side of the template, then secure it to the alcove. Anchor the dispenser using the screws that shipped inside it.
- 5** To attach the drip tray, push it into the bottom of the hand sanitizer dispenser.



- 6** To remove the template, grasp it from its sides at the top and pull straight out.



TIP Pull with more pressure on one side of the template to make it easier to remove it.



Install the ICV (optional)

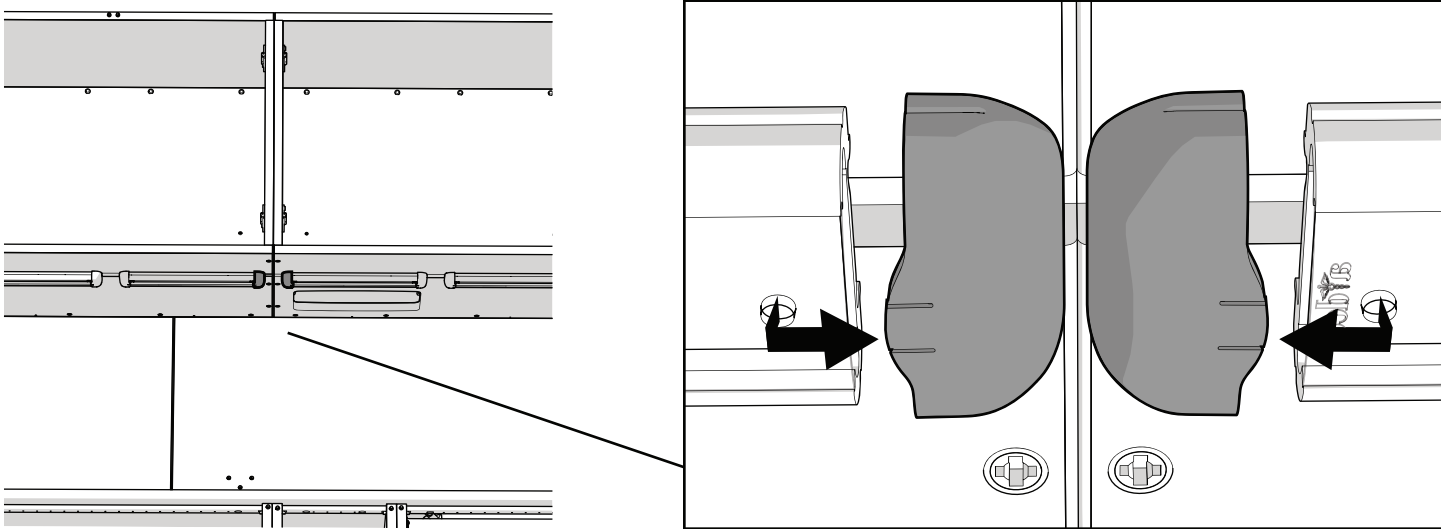
If the system includes an ICV, see the installation guide that ships with the product.

Install Faucets

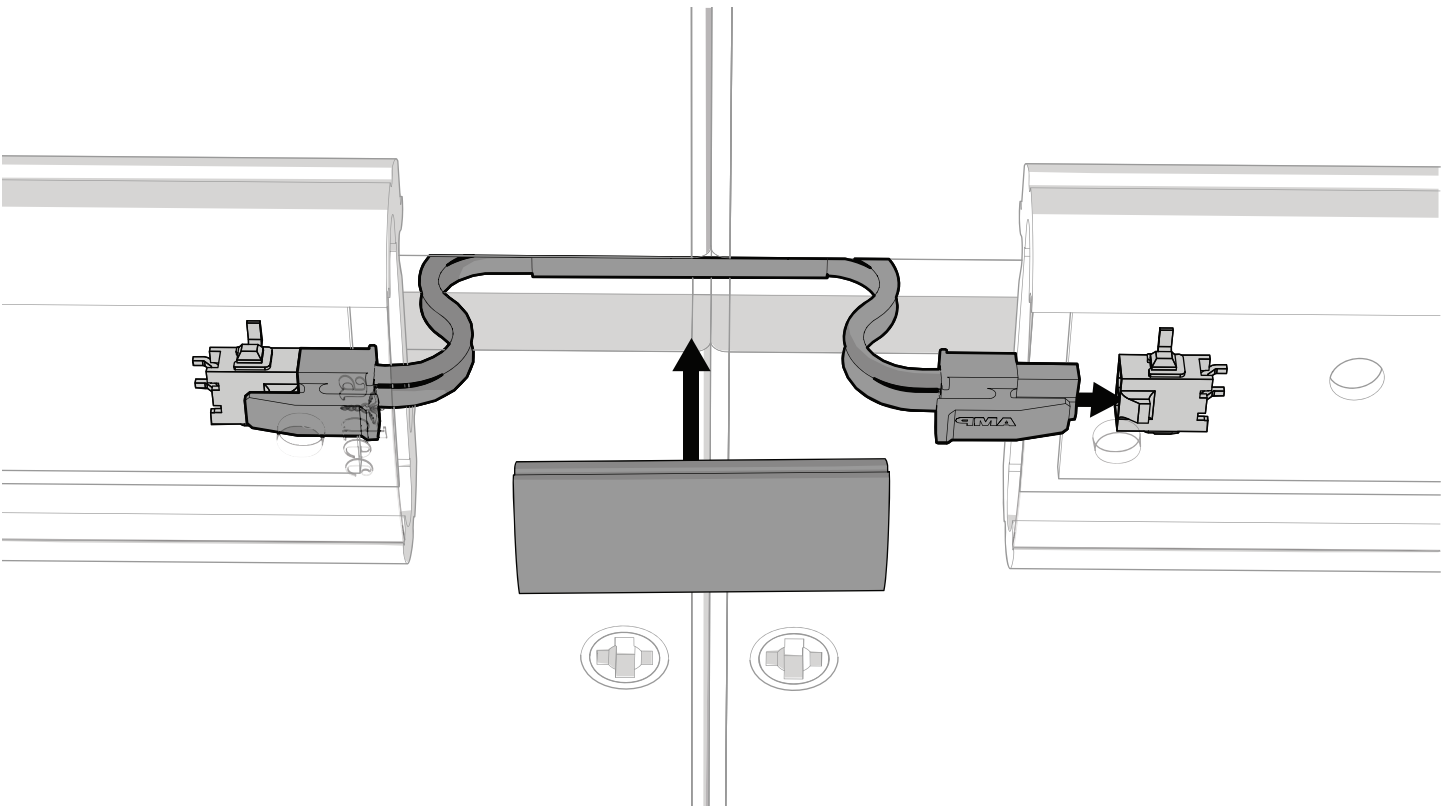
To install the faucets, see the manufacturer's instructions that ship with the product.

N Connect the Wiring and Data Lines

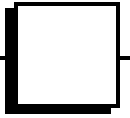
Connect the Adjacent Task Lights (84" cabinets only)



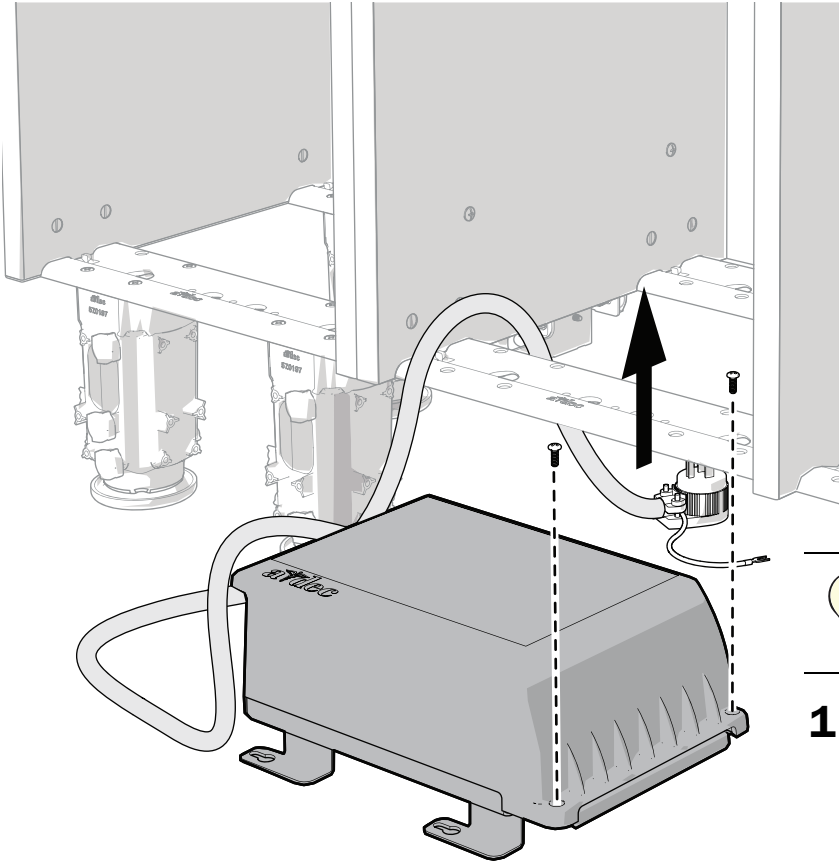
- 1** Between the uppers, pull down on the tab and slide the caps off of the ends of the task lights.



- 2** Plug in the wires to connect the task lights of adjacent uppers.
- 3** Insert the wires into the chase, install the chase cover, and replace the end caps.
- 4** Repeat steps 1 through 3 until all adjacent task lights are connected to each other.

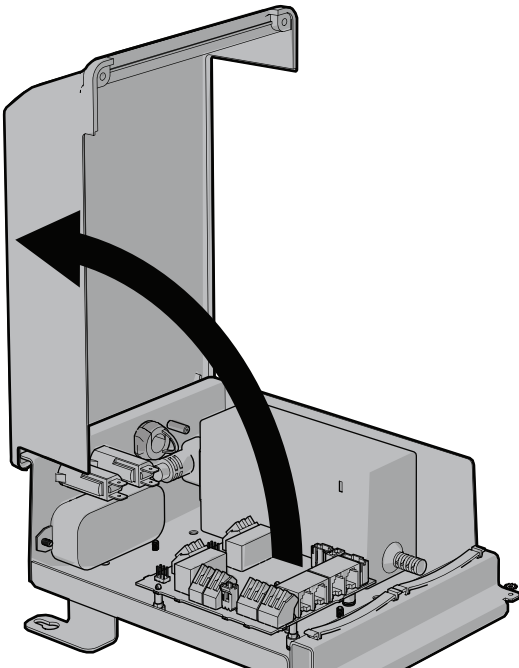


Access the Connections



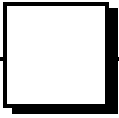
TIP To provide easier access for making connections, position the distribution box outside of the cabinet

- 1** Loosen the two screws securing the lid.

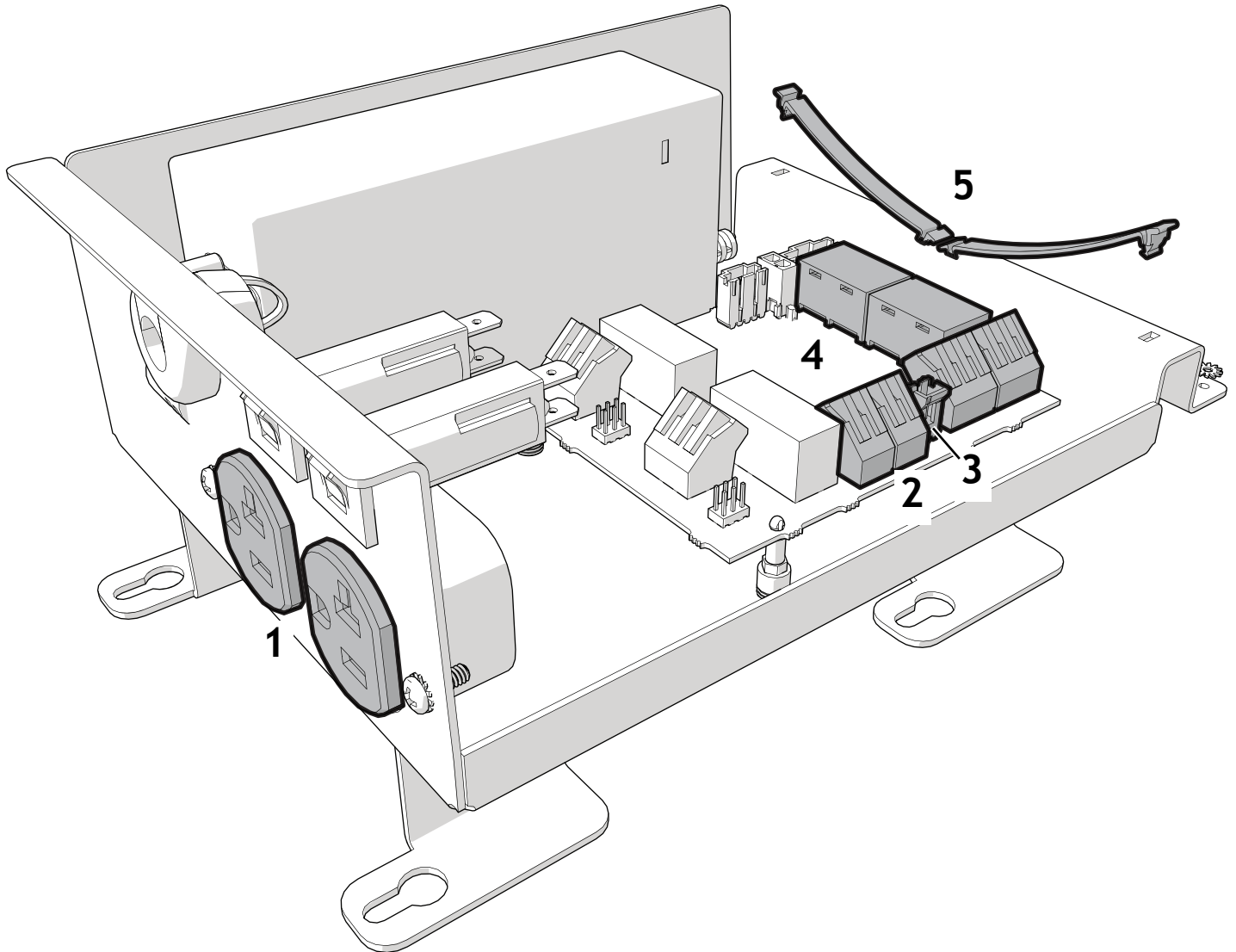


ATTENTION Circuit boards are sensitive to static electricity. Electrostatic Discharge (ESD) precautions are required when touching a circuit board or making connections to or from the circuit board. Circuit boards should be installed only by an electrician or qualified service person.

- 2** Remove the cover.



Connect the Wires and Data Lines



1 (Optional) Plug in the auxiliary devices.



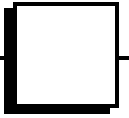
TIP The receptacles include a tamper-proof shutter to prevent unwanted articles from entering the receptacle. Apply equal pressure on each tine to slide open the shutter when inserting the plug. If you experience resistance entering the receptacle, gently rock the plug back and forth to open the shutter.

2 Connect the task light power, black to black, red to red.

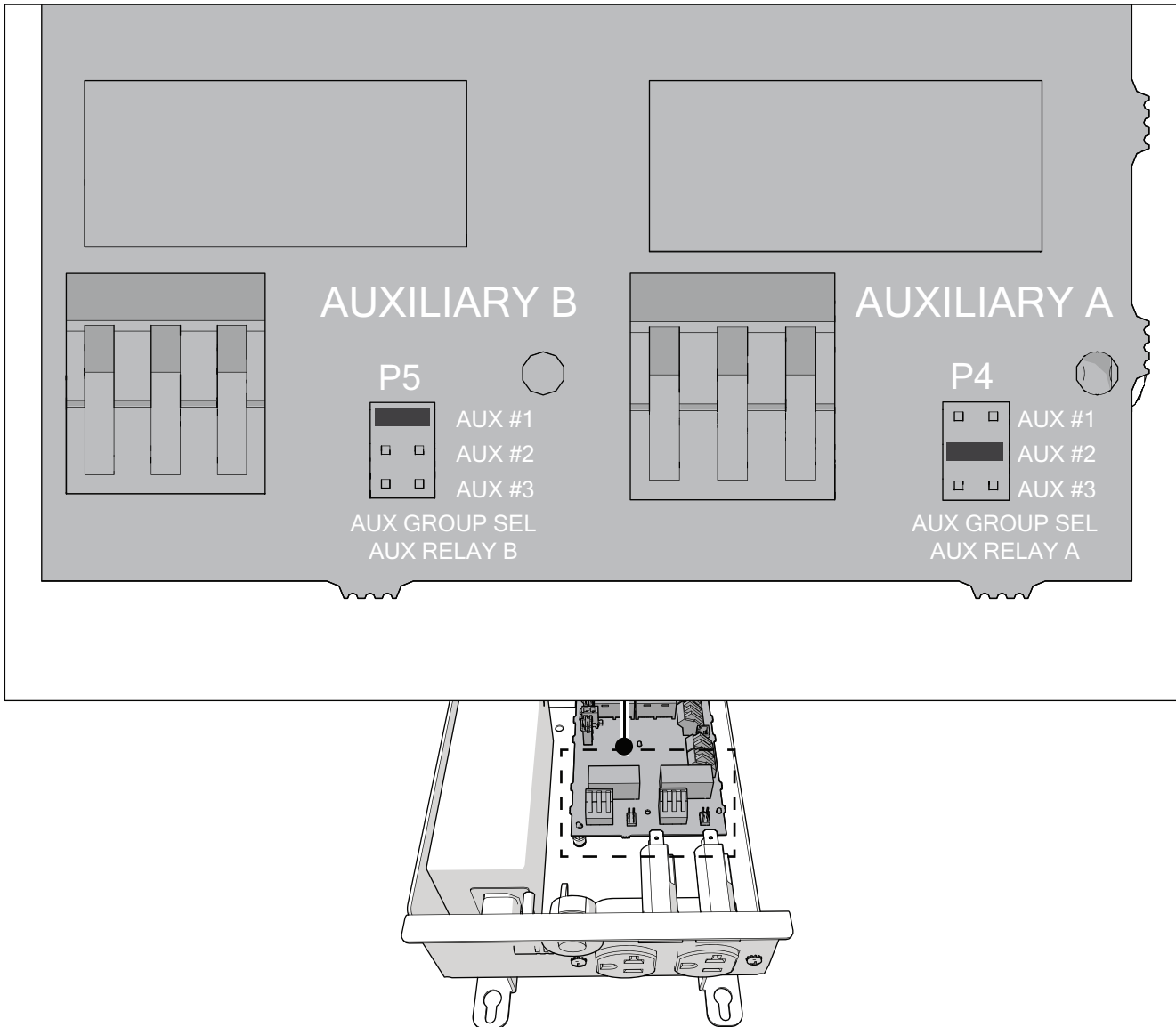
3 Connect the task light switch.

4 Plug in the data lines. It does not matter which data port the lines plug into.

5 Secure the wiring under the strain relief.



Set Up the Auxiliary Relays (optional)



Auxiliary relays are used to turn on/off devices plugged into the distribution box. They are operated from the control center and touchpads.

Jumpers specify which button on the control center and touchpad operates the power for that relay.

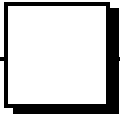
For each relay, position the jumper in one of the three numbered **Aux** positions.

If more than one relay in the same system is set to the same numbered **Aux** position, then they all turn on and off at the same time from the control center or touchpad.

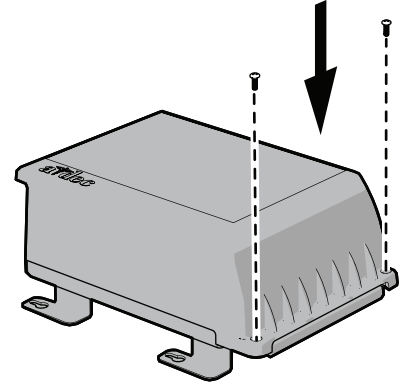
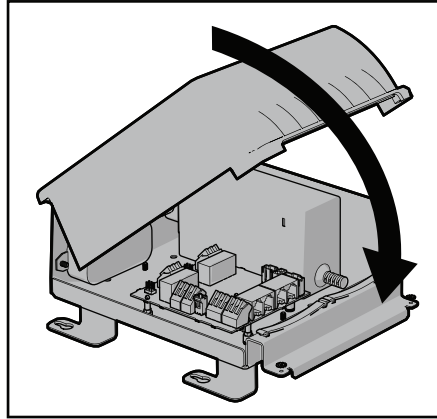
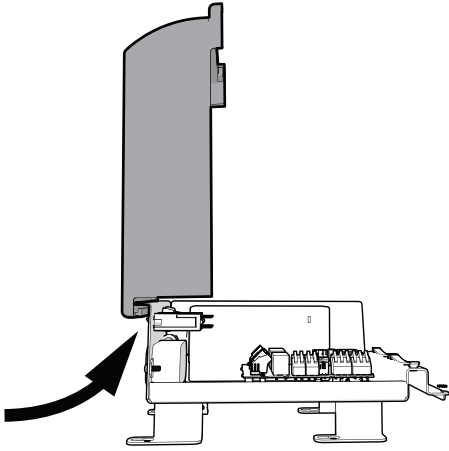


NOTE If the system does not include a control center, do not set the jumper to Aux #3. It cannot be activated without a control center.

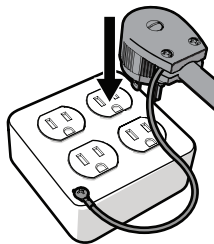
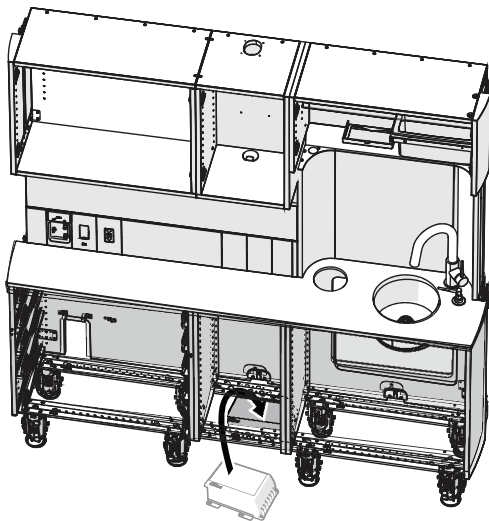
If a system without a cuspidor includes an A-dec 300 Deluxe touchpad or an A-dec 300/500 Standard touchpad, the bowl rinse button controls Aux # 1 and the cupfill button controls Aux #2.



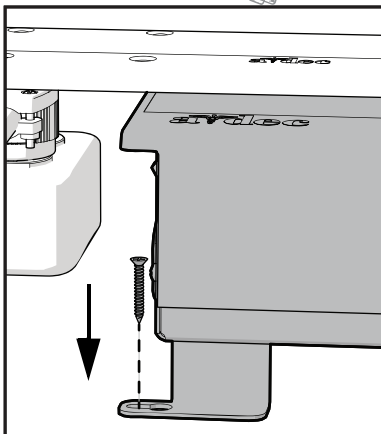
Connect and Secure the Distribution Box



- 1** Position the cover at 90° to the distribution box and hook its end on the distribution box frame.
- 2** Rotate the cover down and use a Phillips head screwdriver to secure it to the distribution box.

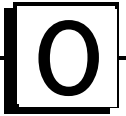


- 3** Place the distribution box inside the cabinet.
- 4** Use a Phillips head screwdriver to secure the green ground wire to the cover of the quad box.
- 5** Plug the distribution box into the quad box.



- 6** Under the cabinet, use one fastener to anchor the distribution box to the floor (the fastener is not included in the kit).
It does not matter which foot you choose to secure.

Adjust the Drawer Faces and Doors

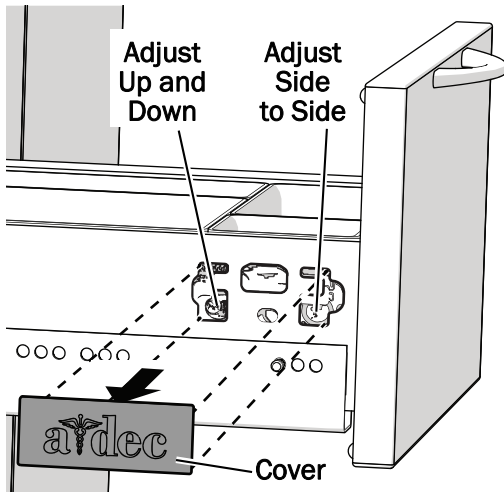


Adjust the Drawer Faces

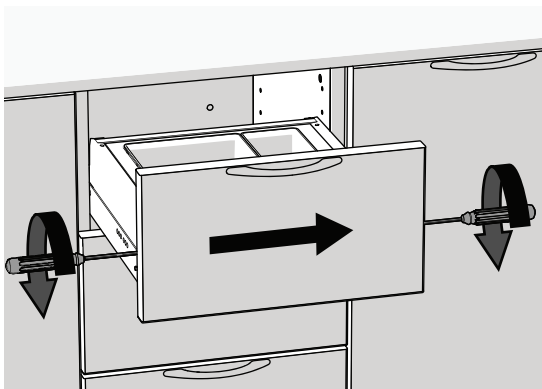
Adjust the face of the drawers to align them properly.



CAUTION To avoid damaging the screws, use a #2 Pozidriv screwdriver to adjust the screws that move the drawer faces.



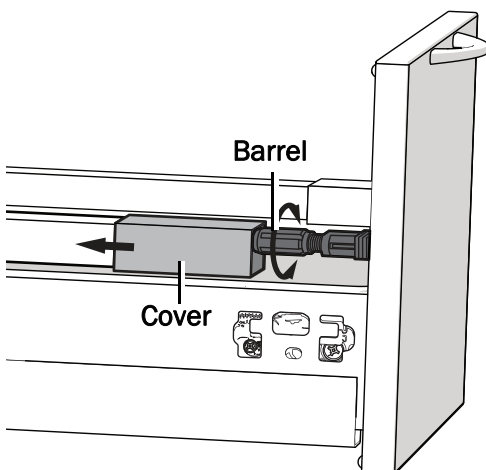
- 1** Remove the covers on both sides of the drawer.
- 2** **Up and Down:** On both sides, adjust the screws closest to the back of the drawer.



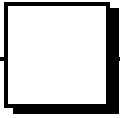
- 3** **Side to Side:** On both sides, adjust the screws closest to the face of the drawer. Make sure to move both screws in equal increments.
The direction shown moves the drawer face to the right.



TIP Use two screwdrivers at the same time to move the face more easily.



- 4** **Front to Back Tilt (Gallery Rails only)** - Slide the covers and rotate the barrels.



Adjust the Doors

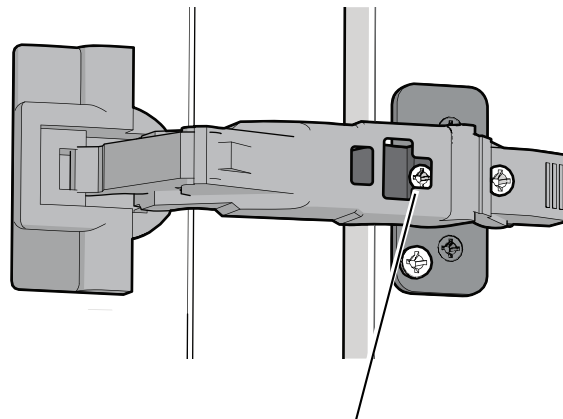
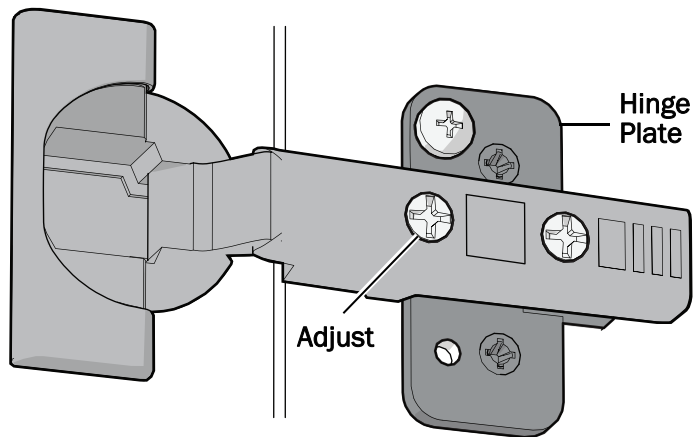
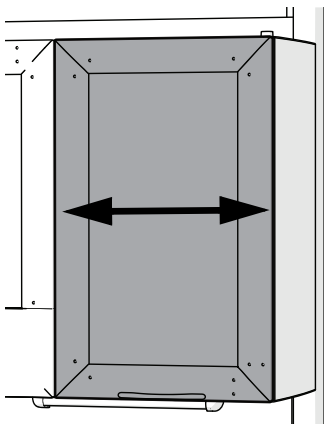
Adjust the door hinges to align the doors properly.

Regular Doors

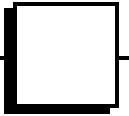


CAUTION To avoid damaging the screws, use a #2 Pozidriv screwdriver to adjust the door hinge screws.

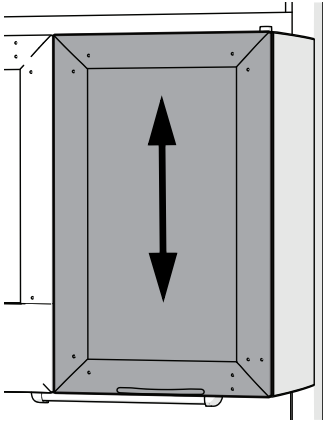
Side to Side



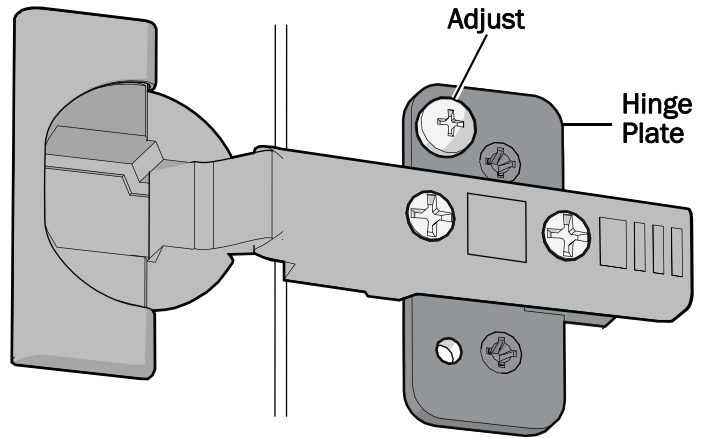
For 155° hinges, close the door slightly for better access to the screw.



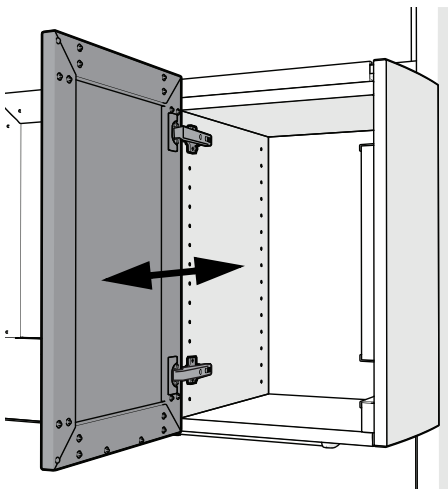
Up and Down



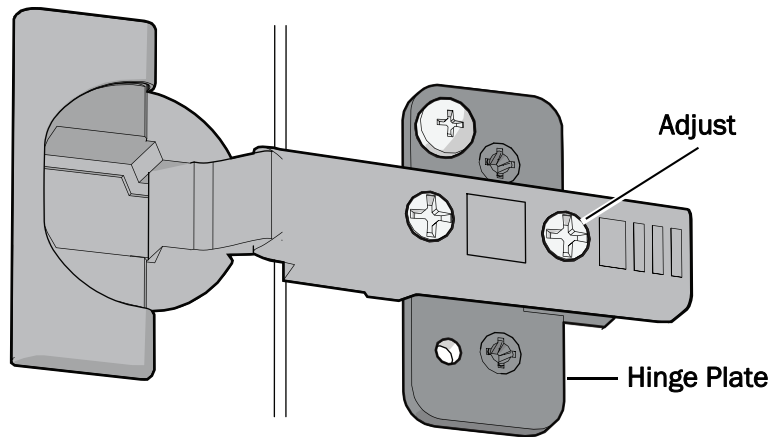
Standard Hinge Plate - Regular Door



Back to Front



NOTE The screw on the hinge plate may be at the top or bottom, depending on the door configuration.



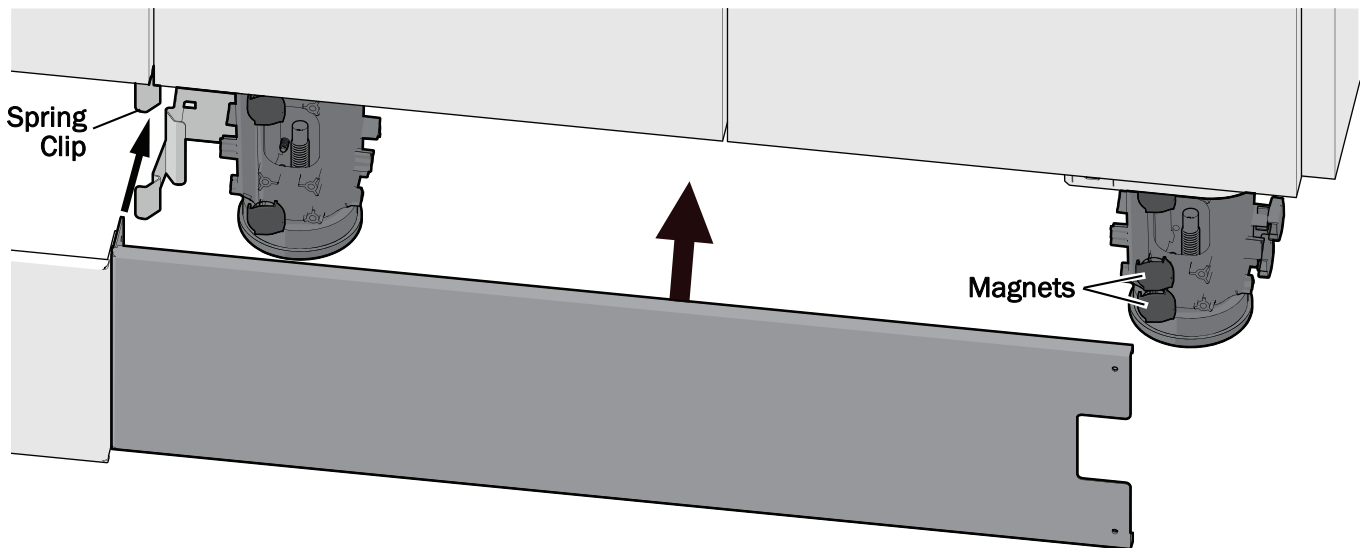
P Install the Foot Pedals and Base Covers

Install the Faucet Foot Pedal (Optional)

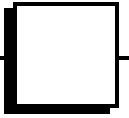
If your system includes a faucet foot pedal, see the *Faucet Foot Pedal on A-dec Inspire Dental Furniture Installation Guide* (86.0936.00) that shipped in the kit.

Install the Base Covers

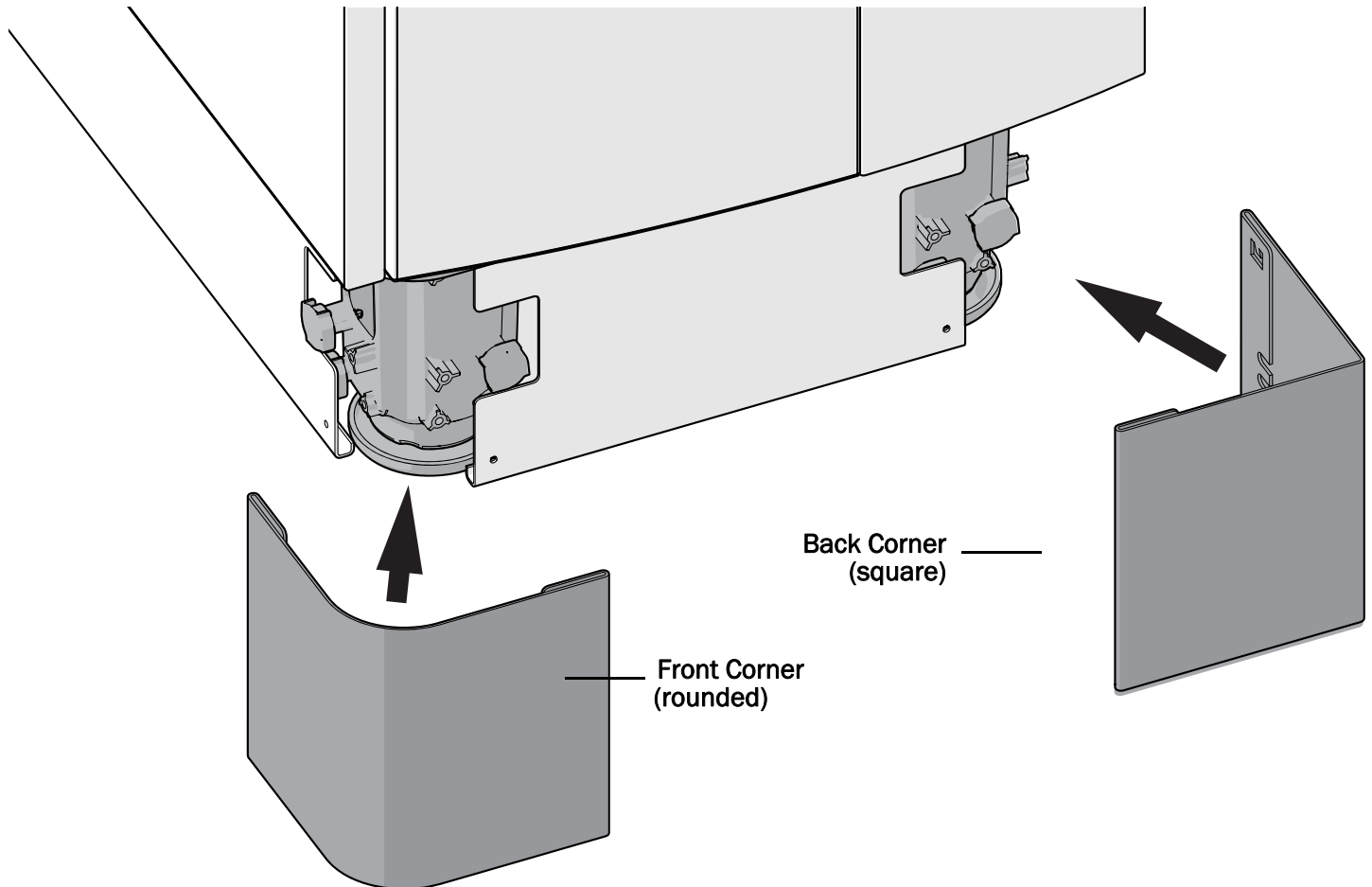
Complete the following instructions for the base covers not secured by a foot pedal.



- 1** Place the base covers into position. Depending on their location, they attach onto magnets or are inserted into spring clips.



Install the Base Covers (continued)



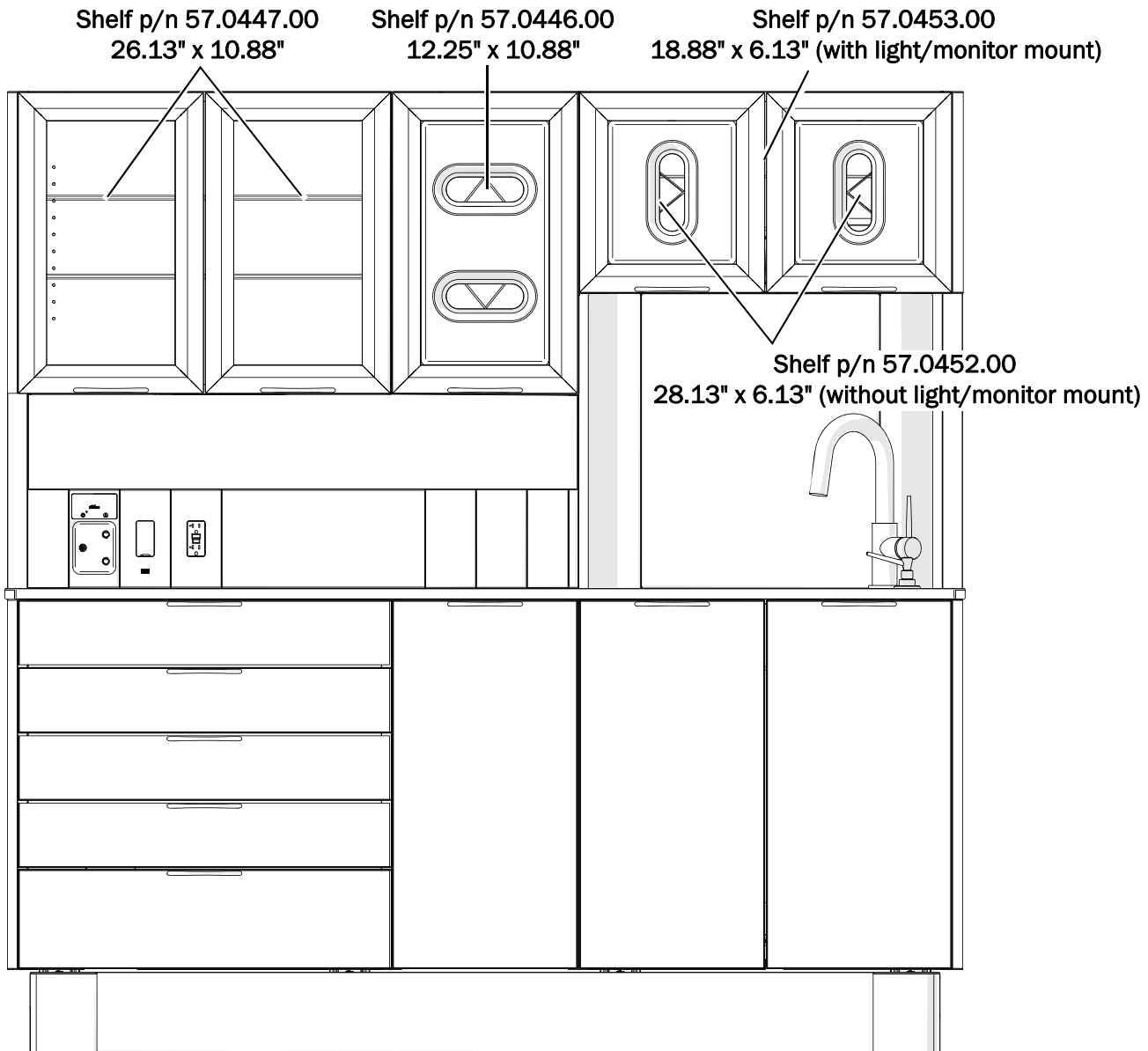
- 2 Place the rounded corner base covers on the front corners of the cabinet and the square covers on the back corners. Install the back corner covers against the wall to cover any gaps.

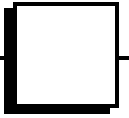
Q Complete the Installation

Finish the Installation

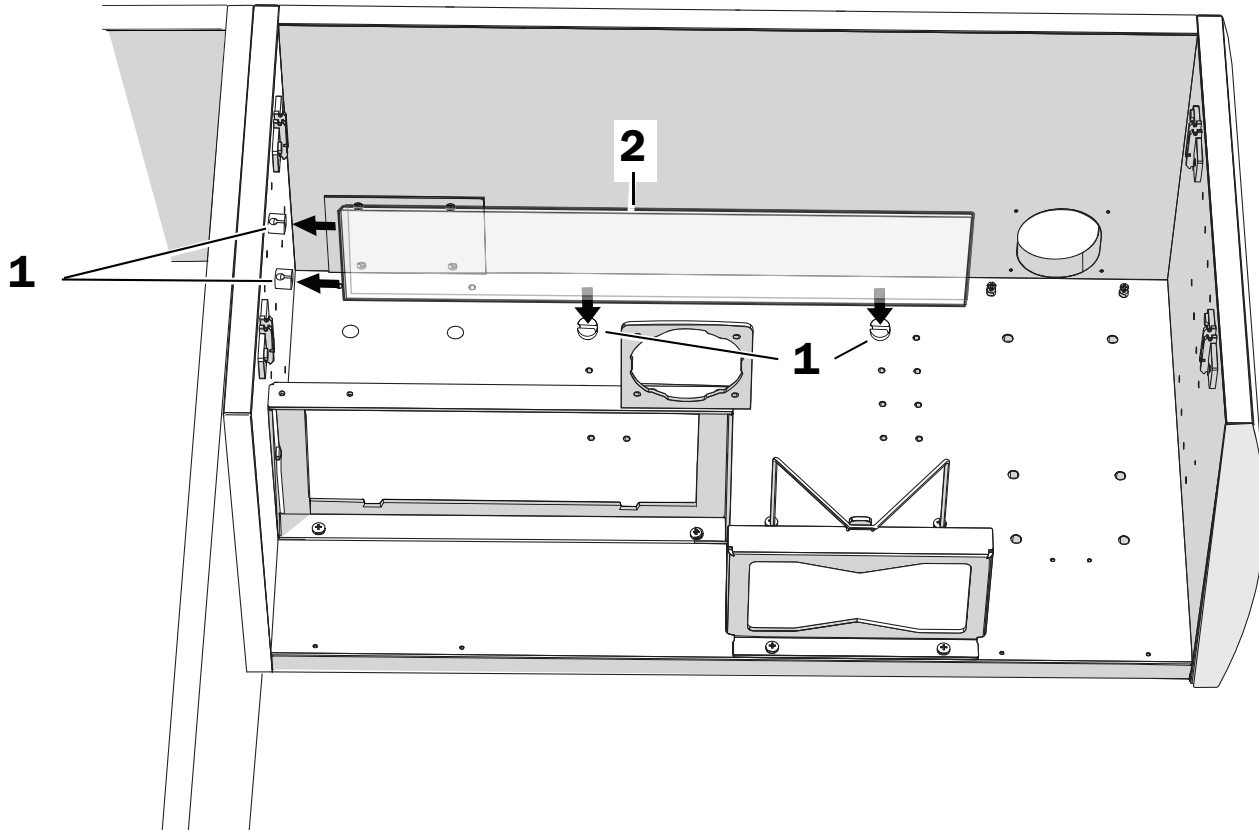
To complete the installation:

- Completely remove the protective film from the column covers.
- Install the hinge covers.
- Reinstall the false bottoms.
- Install the glass shelves according to the following locations. If a dispenser has a light or monitor mount, see “Install the Shelf Clips and Glass Shelf (Dispenser with Light/Monitor Mount Only)” on page 49 for the hole locations used with the shelf clips.

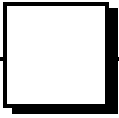




Install the Shelf Clips and Glass Shelf (Dispenser with Light/Monitor Mount Only)

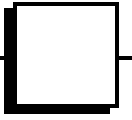


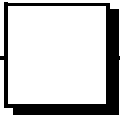
- 1** Install the four shelf clips in the hole locations shown in the image.
- 2** Install the glass shelf.



Test the System

After you have completed the installation of the A-dec Inspire 593 Side Console, use the *A-dec Dental Furniture Installation Checklist* (p/n 86.0624.00) to test the system. The checklist ships with the product.





Regulatory Information and Warranty

For required regulatory information and the A-dec warranty, see the *Regulatory Information, Specifications, and Warranty* document (p/n 86.0221.00) available in the Resource Center at www.a-dec.com.



A-dec Headquarters

2601 Crestview Drive
Newberg, OR 97132 USA
Tel: 1.800.547.1883 Within USA/CAN
Tel: +1.503.538.7478 Outside USA/CAN
www.a-dec.com

A-dec, Inc. makes no warranty of any kind with regard to the content in this document including, but not limited to, the implied warranties of merchantability and fitness for a particular purpose.



86.0519.00 Rev F
Date of Issue 2022-04-21
Copyright 2022 A-dec, Inc.
All rights reserved.
IG_idf7