



A-dec® 382 Monitor Mount

INSTALLATION GUIDE

Contents

Before You Begin	2
Install the Monitor Mount on an A-dec 311/411/511/Decade Chair	3
Route the Cables	7
Install the Monitor Mount on an A-dec Cascade Chair ...	27
Adjust the System	33
Test the System	34
Final Steps	34
Regulatory Information and Warranty	36



A-dec 382 Monitor Mount
on an A-dec 311B Dental Chair

Product Models and Versions Covered in this Document*

Model	Versions	Description
382	A	Monitor Mount
Cascade/Decade	A	Dental Chair
311ft/511ft	n/a	Dental Chair
311	B	Dental Chair
411	A	Dental Chair
511	A/B	Dental Chair

*Some product models, versions, and options in this document may not be available in certain regions.

Before You Begin



READ THIS! The rigid arm for the monitor mount must be installed before you begin these procedures. The procedure for installing a monitor mount rigid arm is the same as the procedures for installing a dental light rigid arm.

For information on installing a rigid arm, see the section with dental light rigid arm installation procedures in one of the following documents (available in the Resource Center at www.a-dec.com).

For an A-dec 382 only:

The A-dec 382 only configuration is not supported on Cascade/Decade dental chairs. For installing on all other chairs, see the section for the system's type of chair in *A-dec 372L/572L Dental Light on A-dec 311/411/511 Dental Chair Installation Guide* (p/n 86.0333.00).

For an A-dec 382 with an A-dec 332/333/336 delivery system:

See one of the following installation guides for the type of chair the A-dec 382 will be installed on.

- **Cascade/Decade dental chairs** - *A-dec 372L/572L Dental Light on Cascade/Decade Dental Chair Installation Guide* (p/n 86.1023.00).
- **A-dec 311/411 dental chairs** - *A-dec 332pro/333pro/336pro Delivery System on an A-dec 311ft/311/411 Dental Chair IG* (p/n 86.1016.00).
- **A-dec 511 dental chairs** - *A-dec 332pro/333pro/336pro Delivery System on A-dec 511ft/511 Dental Chair Installation Guide* (p/n 86.1018.00).



NOTE Information that is critical to a successful and safe installation is shaded like this note throughout the guide.



WARNING Shock hazard. When you remove or replace the covers, take care not to damage any wiring or tubing. Verify that the covers are secure after you replace them.

Recommended Tools

- Hex key set
- Diagonal cutters
- 15/16" socket and ratchets (2)



TIP We recommend having the monitor to be installed available at the time of the monitor mount installation to ensure proper installation.

Install the Monitor Mount on an A-dec 311/411/511/Decade Chair



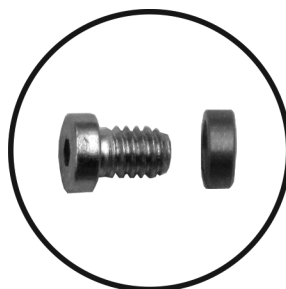
READ THIS! If you are installing the 382 monitor mount on a Cascade (1040) chair, do not use the following procedure. Follow the procedure on page 27 to install the monitor mount on a Cascade chair.

Recommended Tools

- 1/8" hex key
- Diagonal cutters

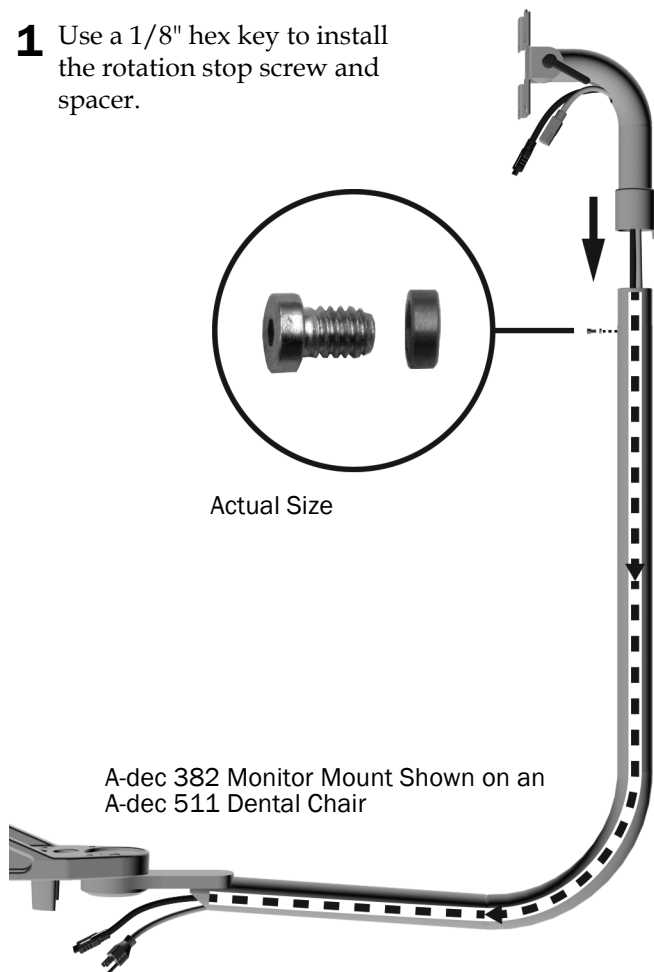
Task 1.

- 1** Use a 1/8" hex key to install the rotation stop screw and spacer.



Actual Size

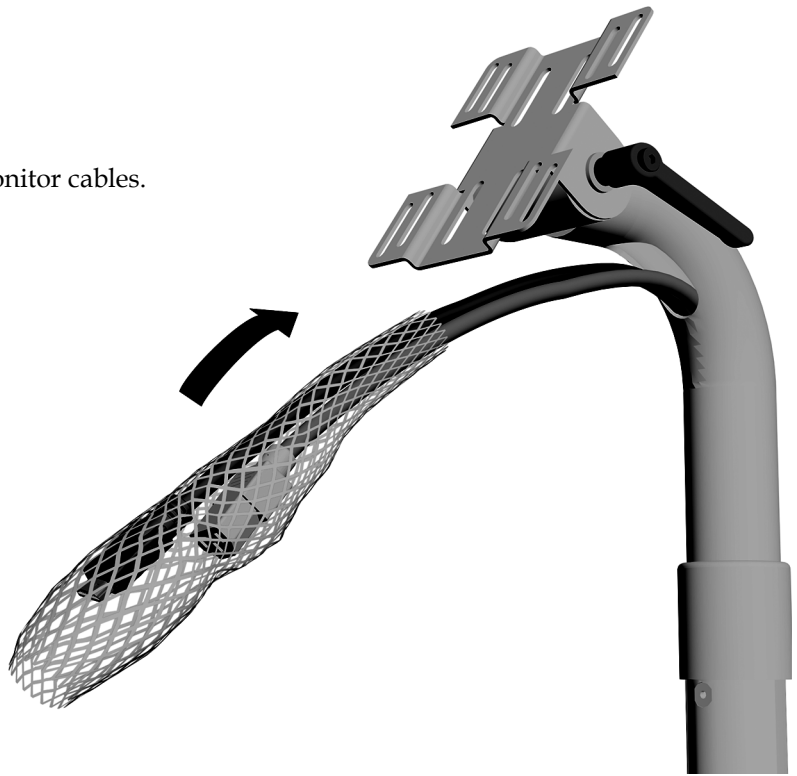
- 2** Route the power and video cables through the mount and down through the rigid arm.
- 3** Slide the monitor mount onto the rigid arm.



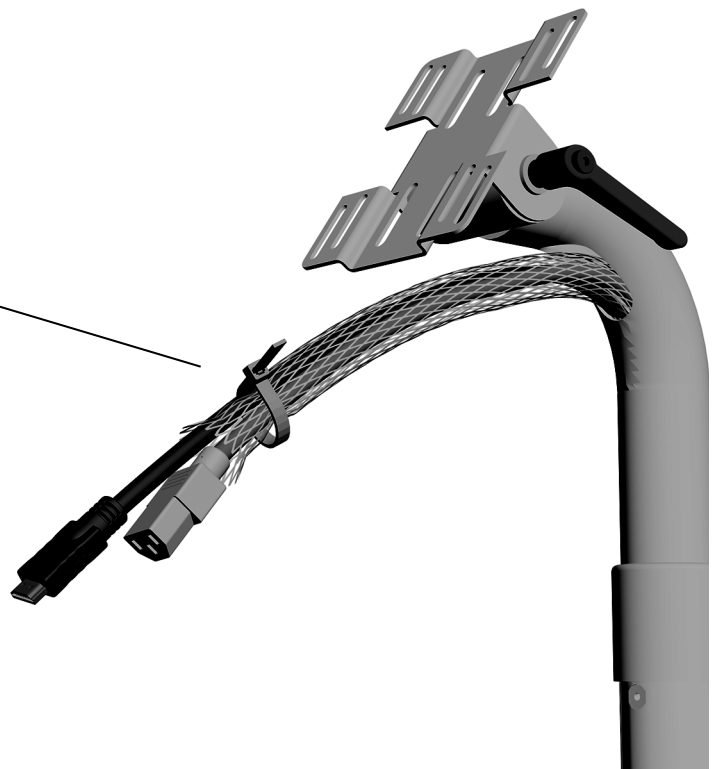
A-dec 382 Monitor Mount Shown on an A-dec 511 Dental Chair

Task 2.

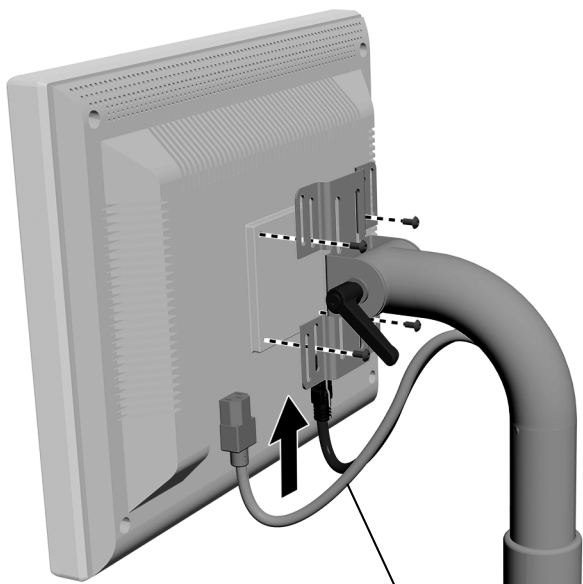
- 1 Install the protective sheath over the monitor cables.



- 2 Secure the sheath with a cable tie. Cut off the excess tie.



Task 3.



- 1 Position the monitor on the bracket.
- 2 Use the screws provided with the monitor to secure the monitor to the mount.



NOTE If the system includes an A-dec monitor mount handle, install it now before completing the rest of these instructions.

- 3 Plug in the cables.



CAUTION Leave a small loop to provide range of motion, but do not bind the cables.

Route the Cables

Task 1. Position the chair so that it is raised halfway up.



WARNING Failure to turn off or disconnect the power before you begin this procedure can lead to product damage and result in serious injury or death.

Task 2. Turn off the power to the system.



ATTENTION Circuit boards are sensitive to static electricity. Electrostatic Discharge (ESD) precautions are required when touching a circuit board or making connections to or from the circuit board. Circuit boards should be installed only by an electrician or qualified service person.

Task 3. Complete the procedure for the system's configuration:



CAUTION Do not pull the cables fully tight or they may be damaged.

Route the Cables on an A-dec 311ft/311B Chair	8
Route the Cables on an A-dec 411 Chair	12
Route the Cables on an A-dec 511ft/511A/511B Chair	20
Route the Cables on an A-dec Decade Chair	24

Route the Cables on an A-dec 311ft/311B Chair

Recommended Tools

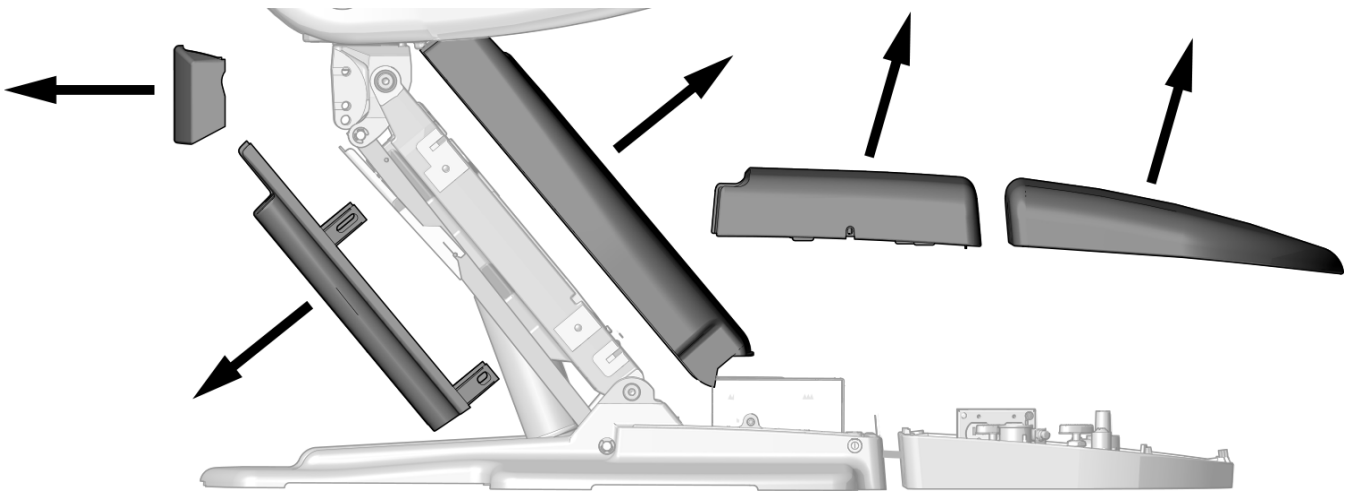
- 3/16" hex key
- Diagonal cutters

Remove the Covers



WARNING Shock hazard. When you remove or replace the covers, take care not to damage any wiring or tubing. Verify that the covers are secure after you replace them.

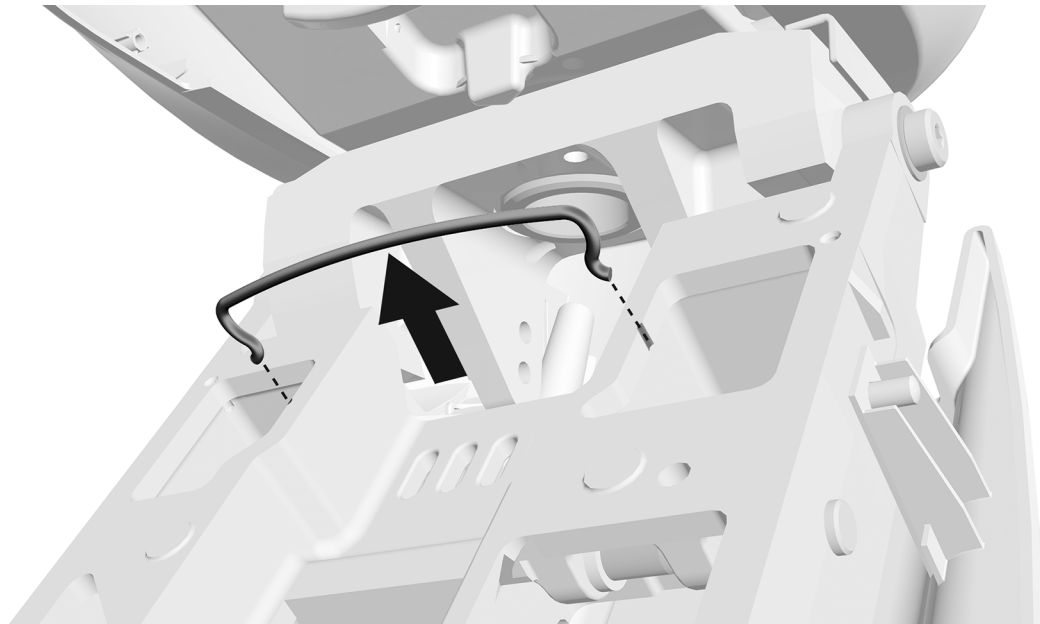
Task 1.



- 1 Remove these covers before installation.

Task 2.

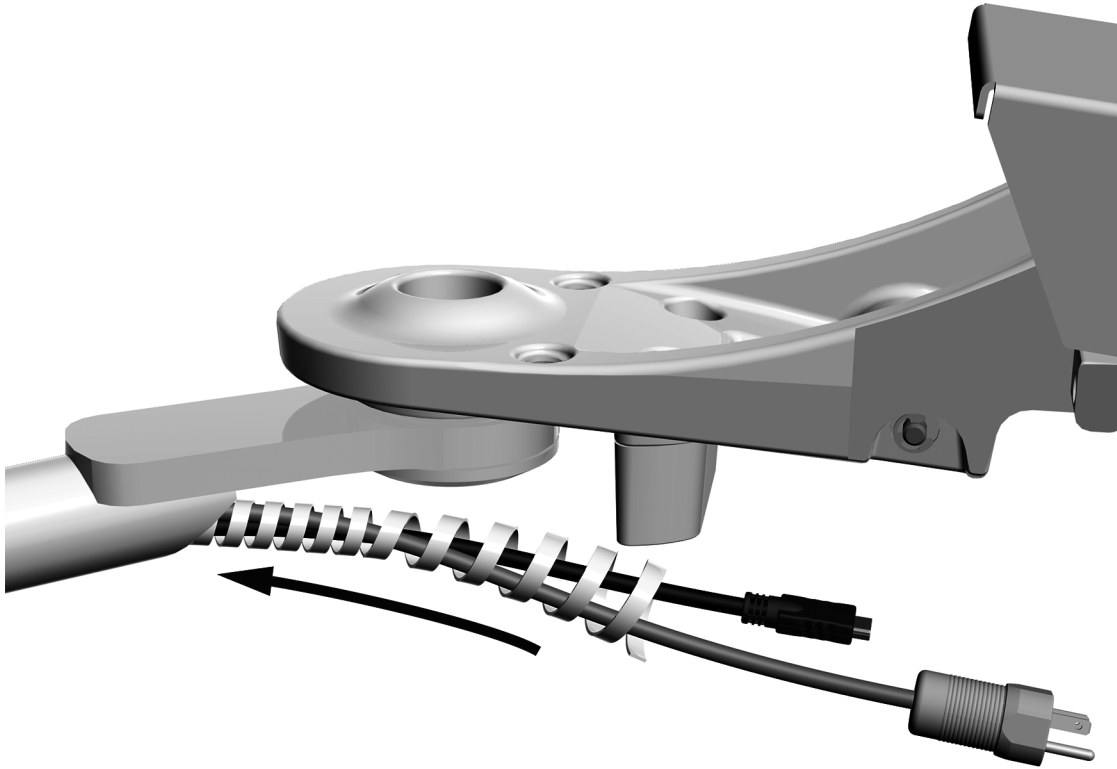
- 1 Remove the bail.



Route the Cables

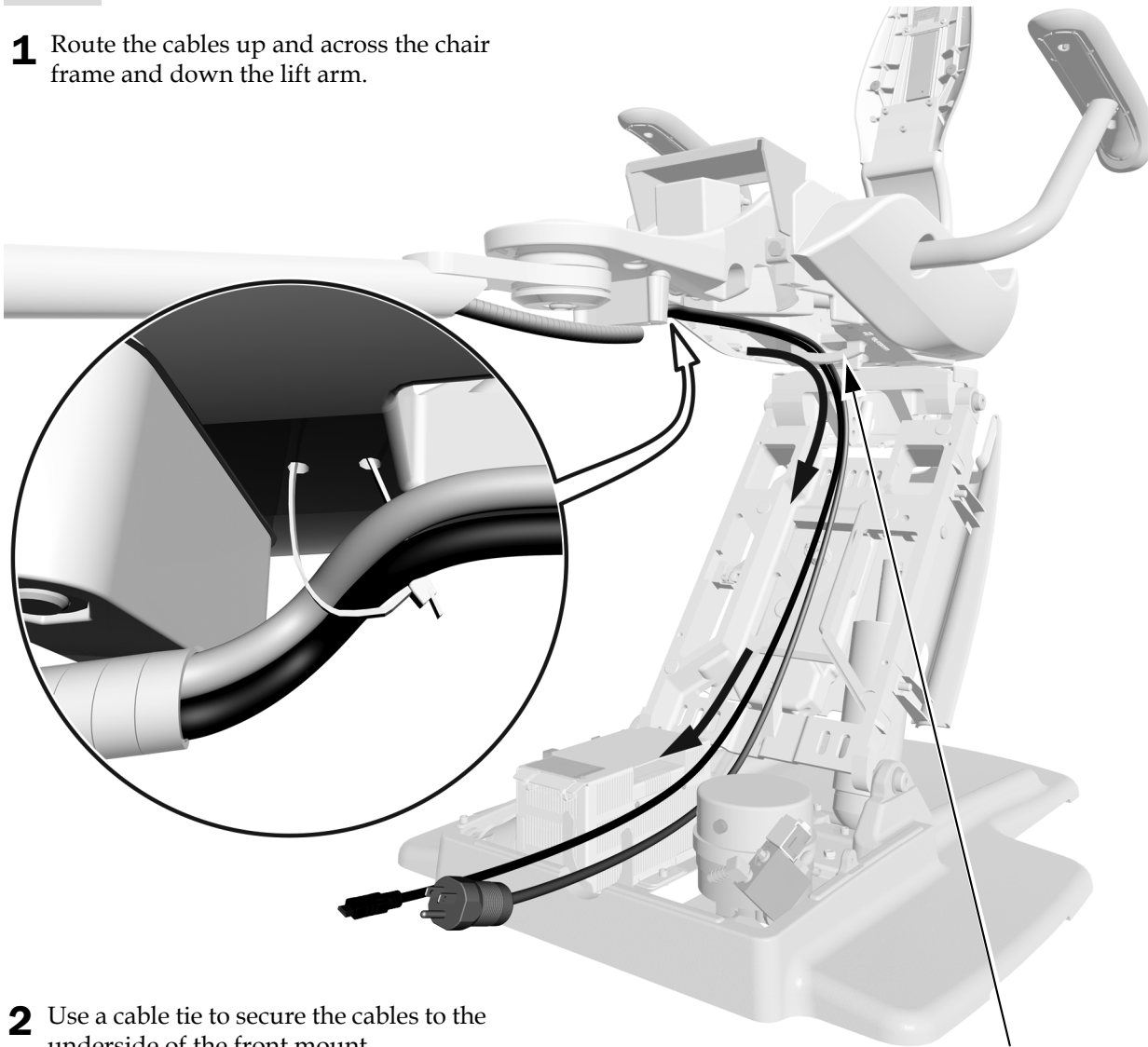
Task 1.

- 1 Install the wrap around the cables.



Task 2.

- 1 Route the cables up and across the chair frame and down the lift arm.



- 2 Use a cable tie to secure the cables to the underside of the front mount.



NOTE Route the cables behind the loop.

Task 3.

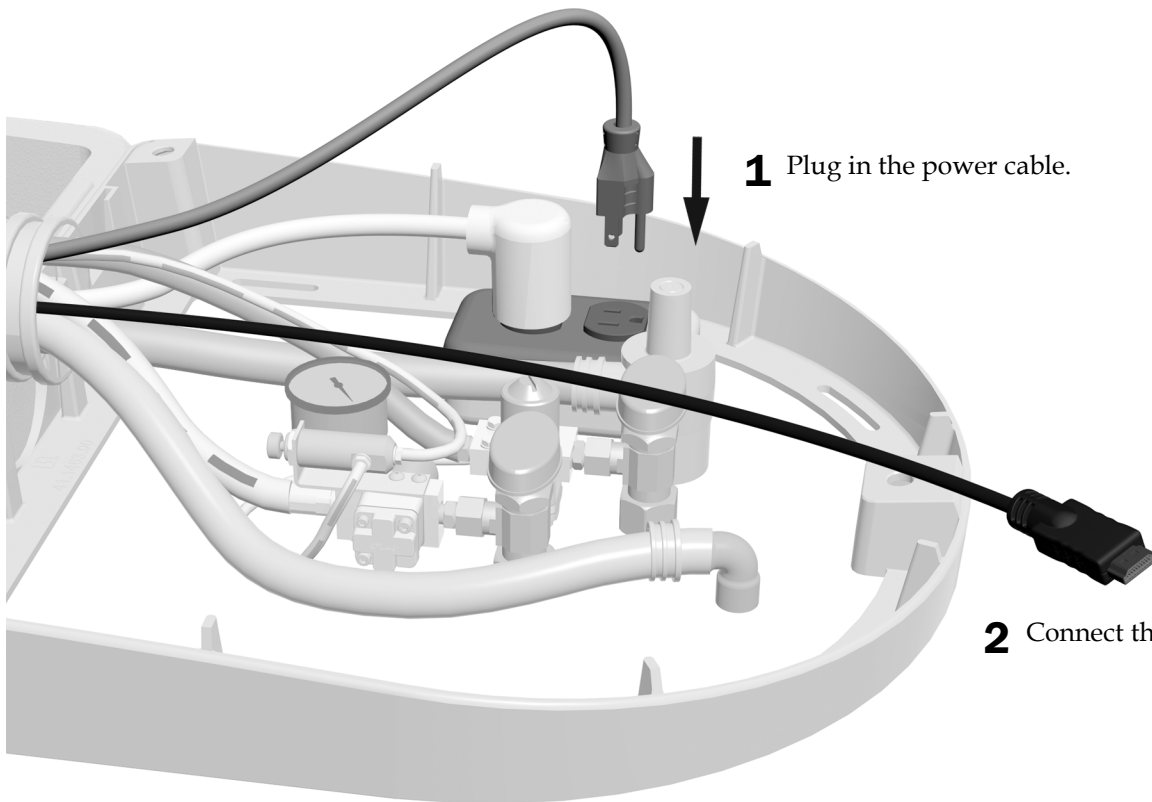
1 Install the bail.



Task 4.

1 Plug in the power cable.

2 Connect the HDMI cable.



Next Step See "Adjust the System" on page 33.

Route the Cables on an A-dec 411 Chair

Recommended Tools

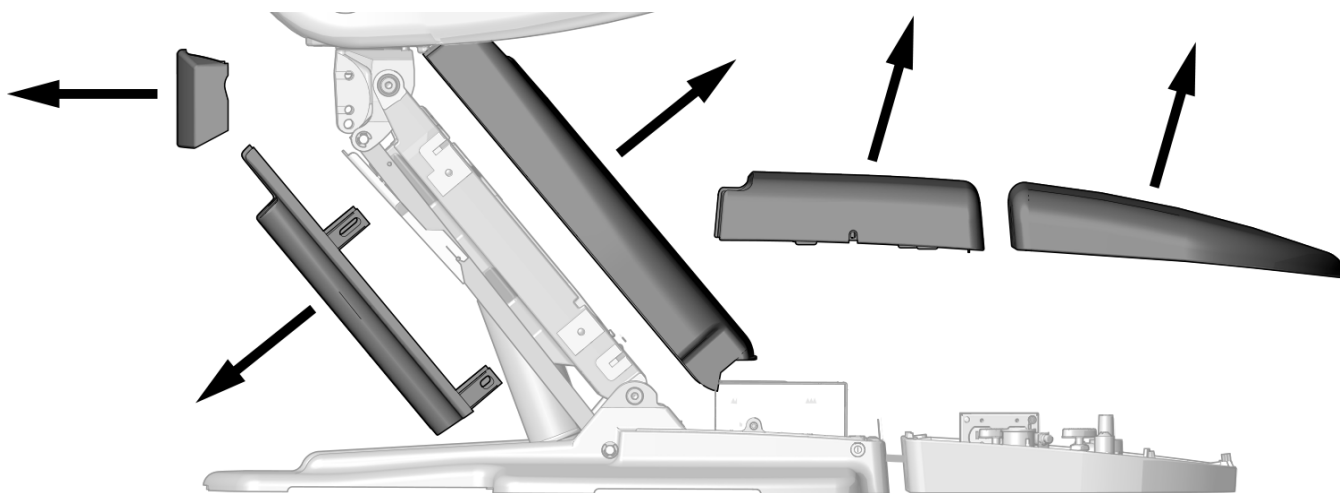
- 3/16" hex key
- Diagonal cutters

Remove the Covers



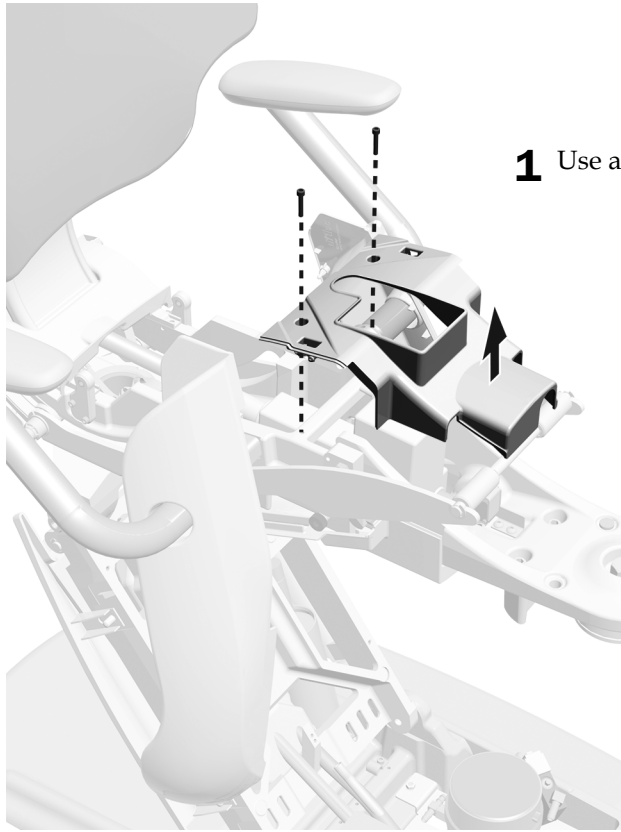
WARNING Shock hazard. When you remove or replace the covers, take care not to damage any wiring or tubing. Verify that the covers are secure after you replace them.

Task 1.



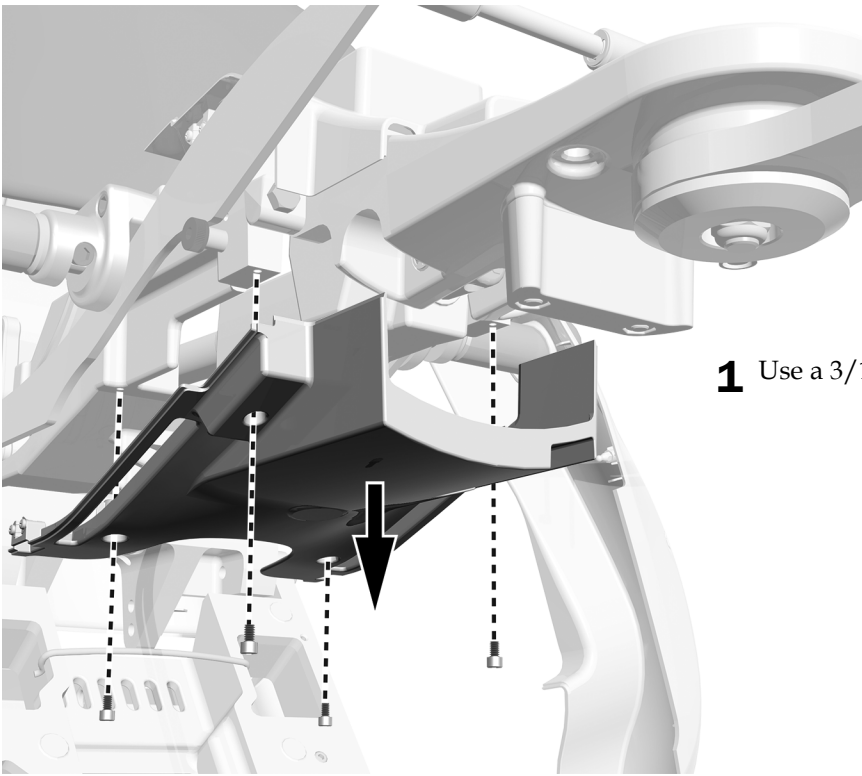
- 1** Remove these covers before installation.

Task 2.



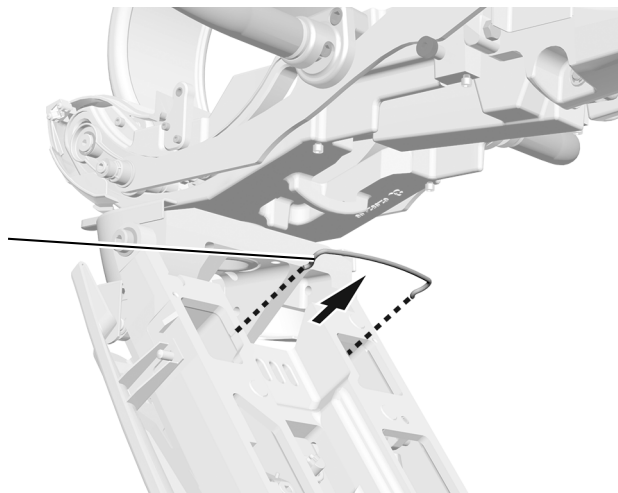
- 1** Use a 3/16" hex key to remove the top cover.

Task 3.



1 Use a 3/16" hex key to remove the lower cover.

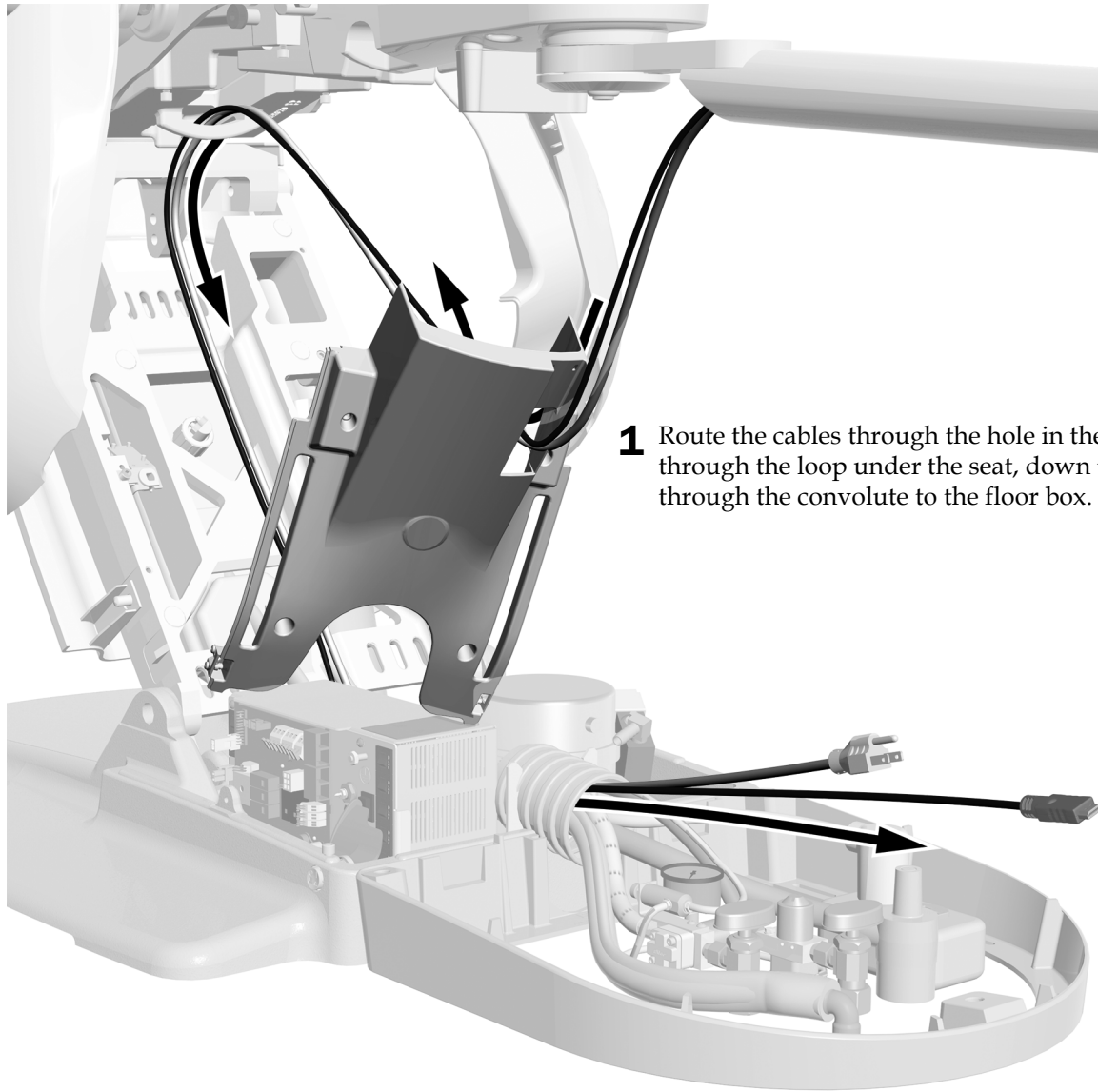
Task 4.



1 Remove the bail.

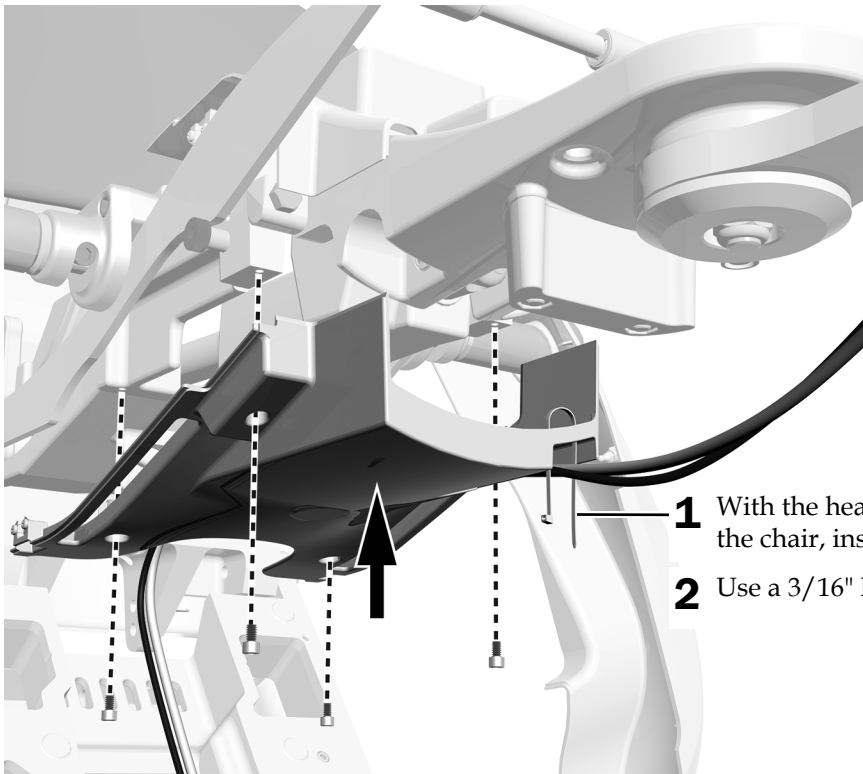
Route the Cables

Task 1.



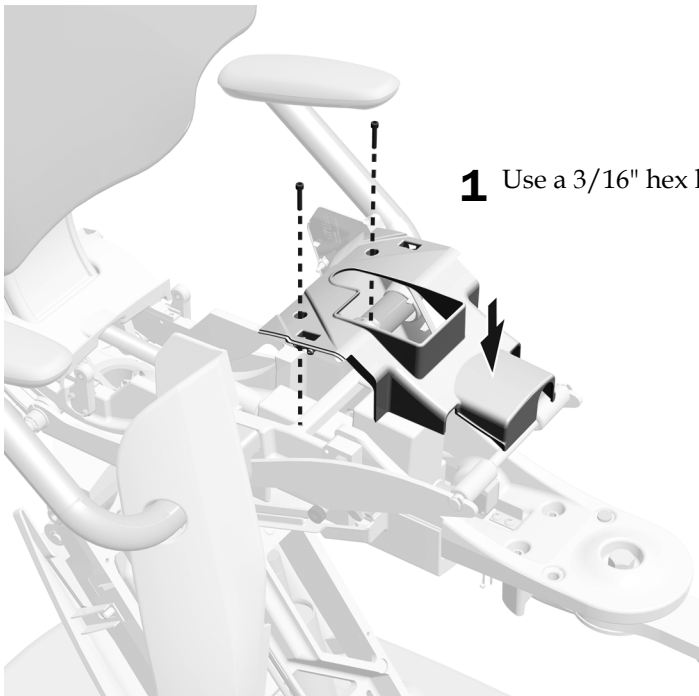
- 1** Route the cables through the hole in the lower cover, through the loop under the seat, down the lift arm and through the convolute to the floor box.

Task 2.



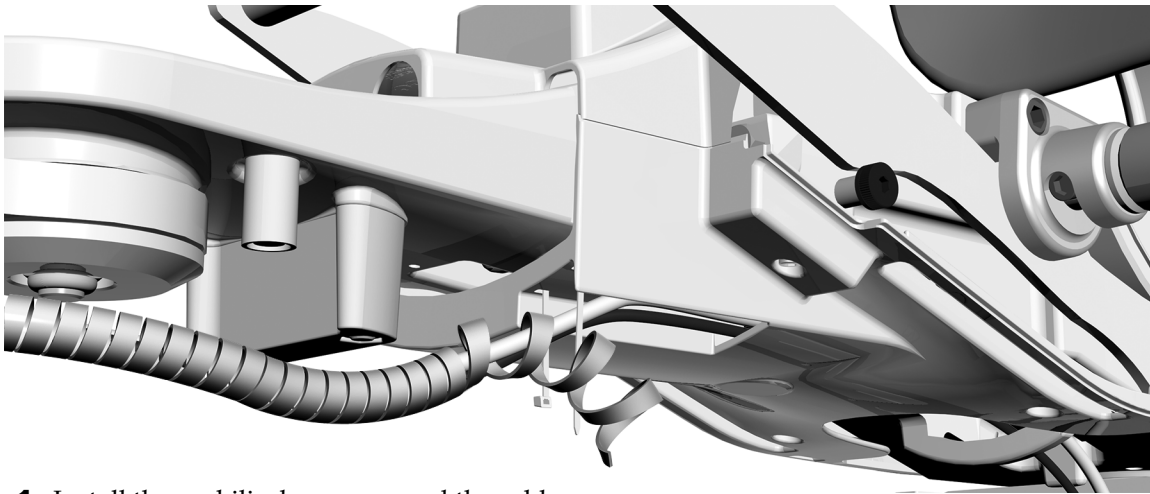
- 1** With the head of the cable tie toward the middle of the chair, insert it through the lower cover.
- 2** Use a 3/16" hex key to install the lower cover.

Task 3.



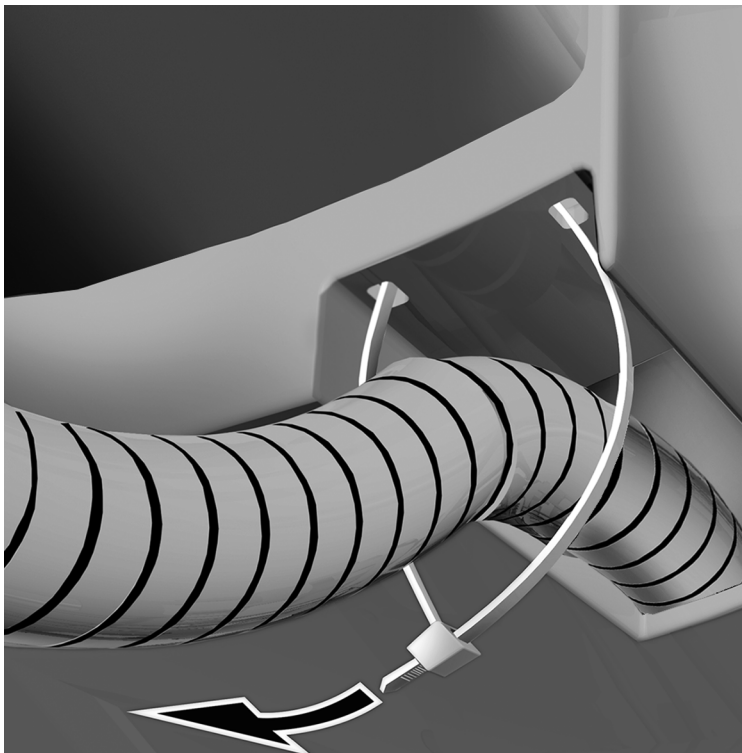
- 1** Use a 3/16" hex key to reinstall the upper cover.

Task 4.



- 1** Install the umbilical wrap around the cables.

Task 5.



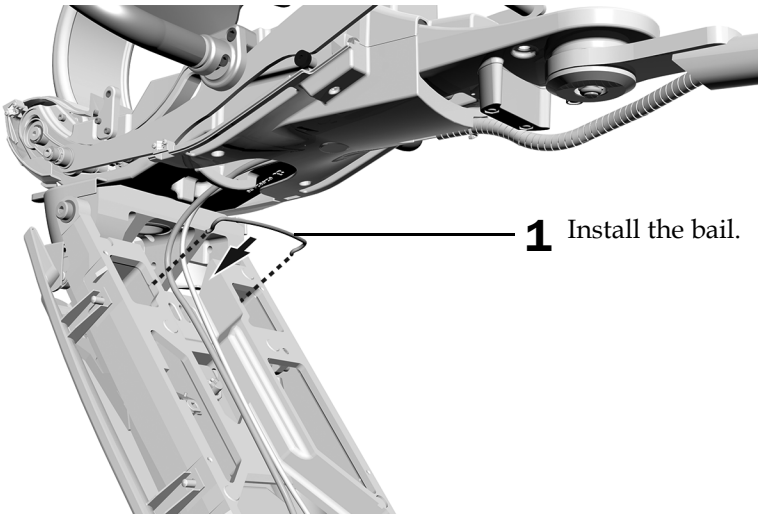
- 1** Position the wrap so it is 1" (2.5 cm) past the hole in the plastic cover.
- 2** Secure the wrap with the cable tie.

Task 6.



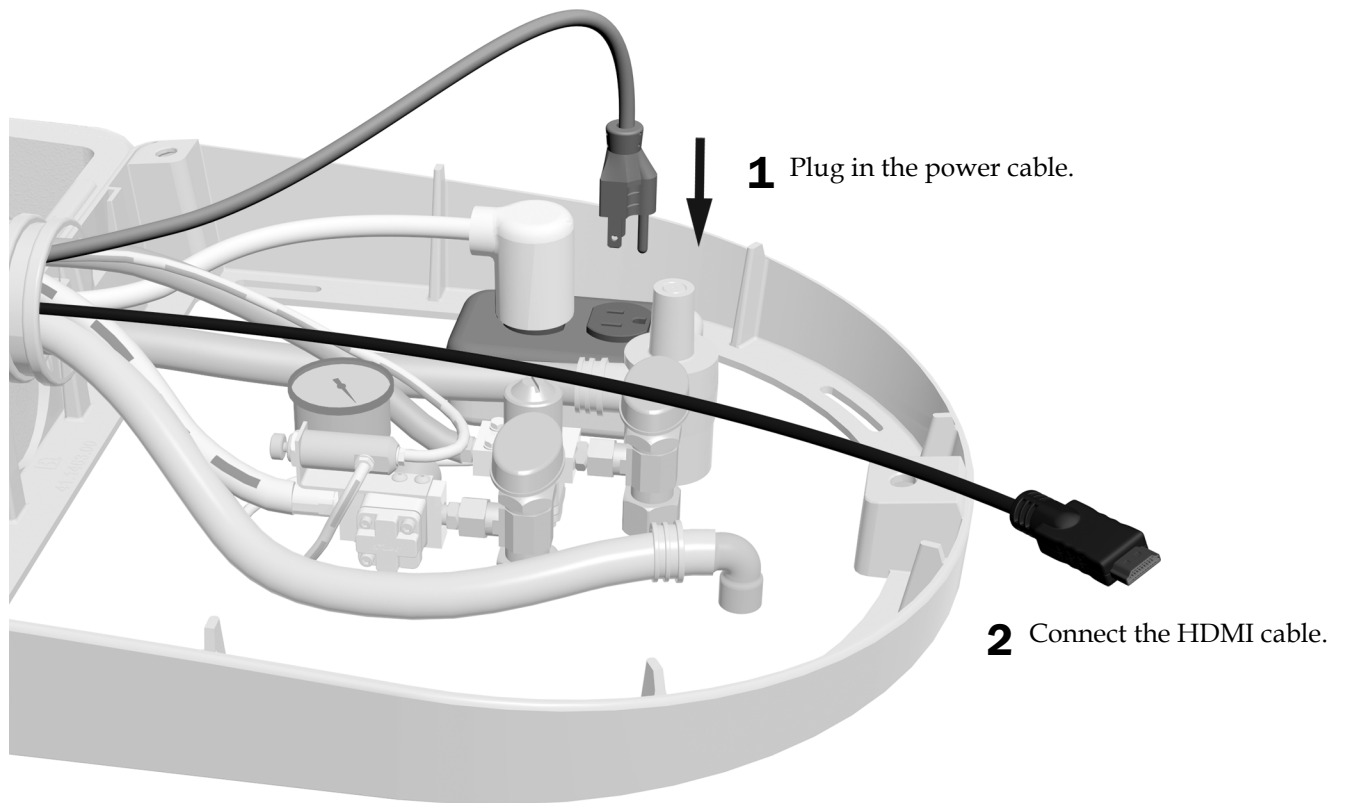
- 1** Rotate the cable tie connector toward the middle of the chair.
- 2** Trim the excess cable tie.

Task 7.



- 1** Install the bail.

Task 8.



Next Step See "Adjust the System" on page 33.

Route the Cables on an A-dec 511ft/511A/511B Chair

Remove the Covers

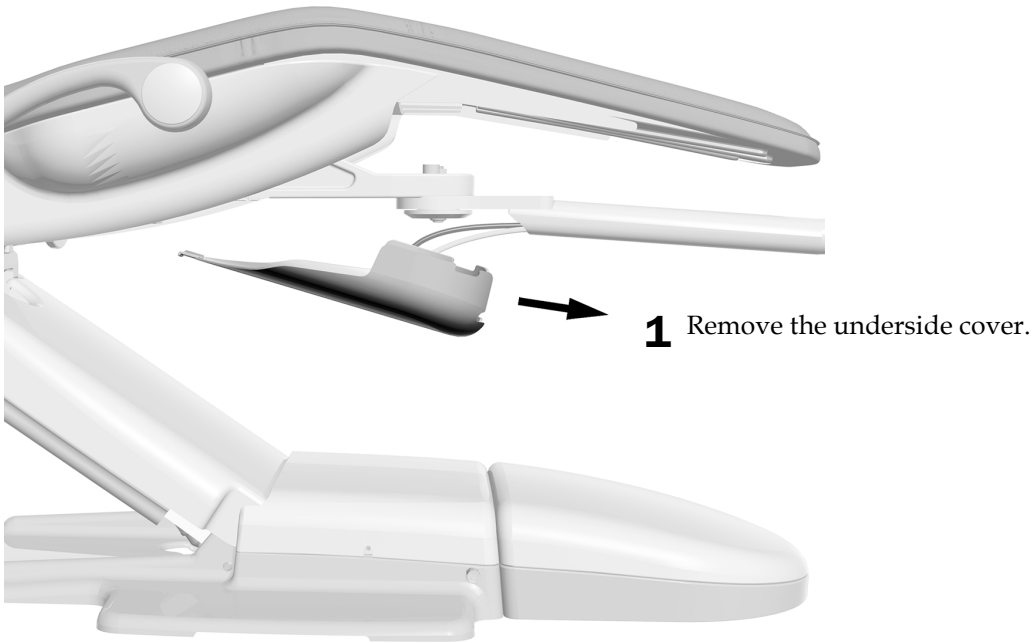


WARNING Shock hazard. When you remove or replace the covers, take care not to damage any wiring or tubing. Verify that the covers are secure after you replace them.

Recommended Tool

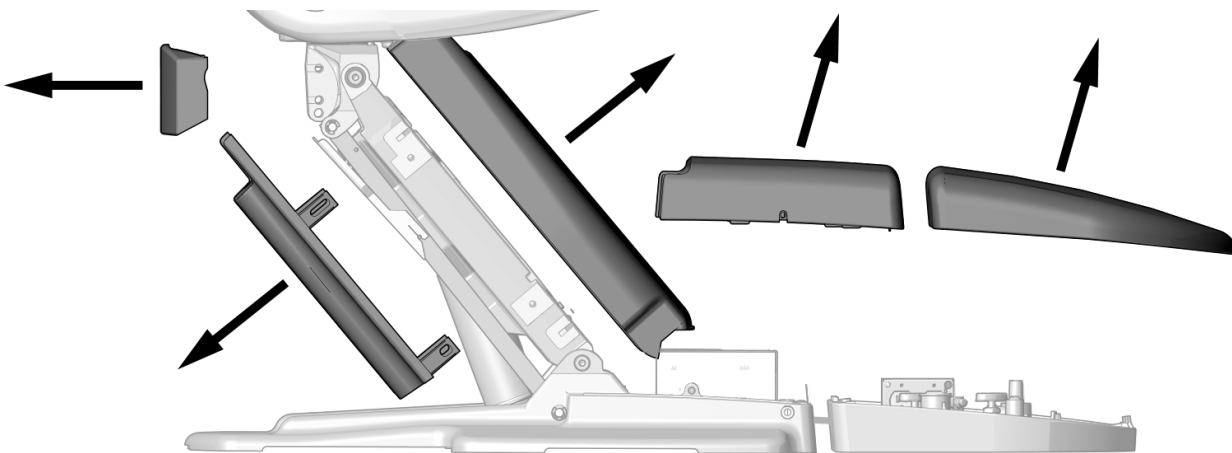
- 3/16" hex key

Task 1.



A-dec 511A Shown

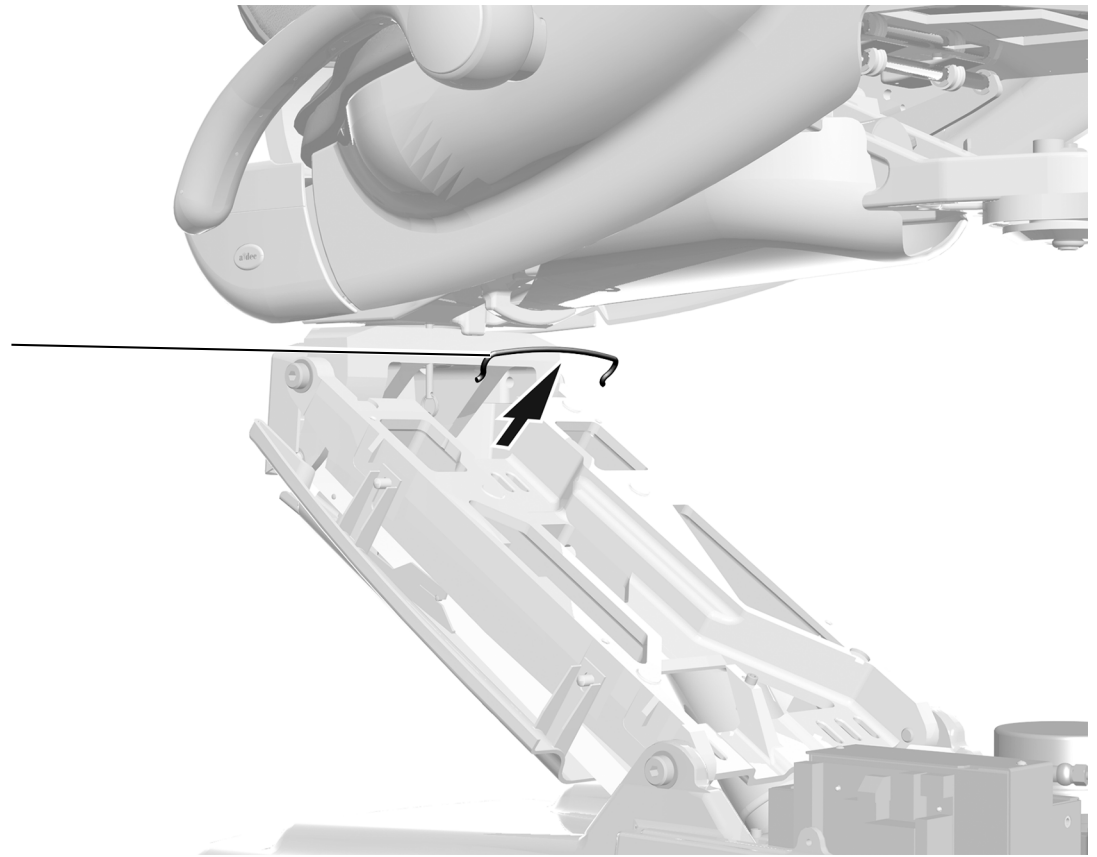
Task 2.



1 Remove these covers before installation.

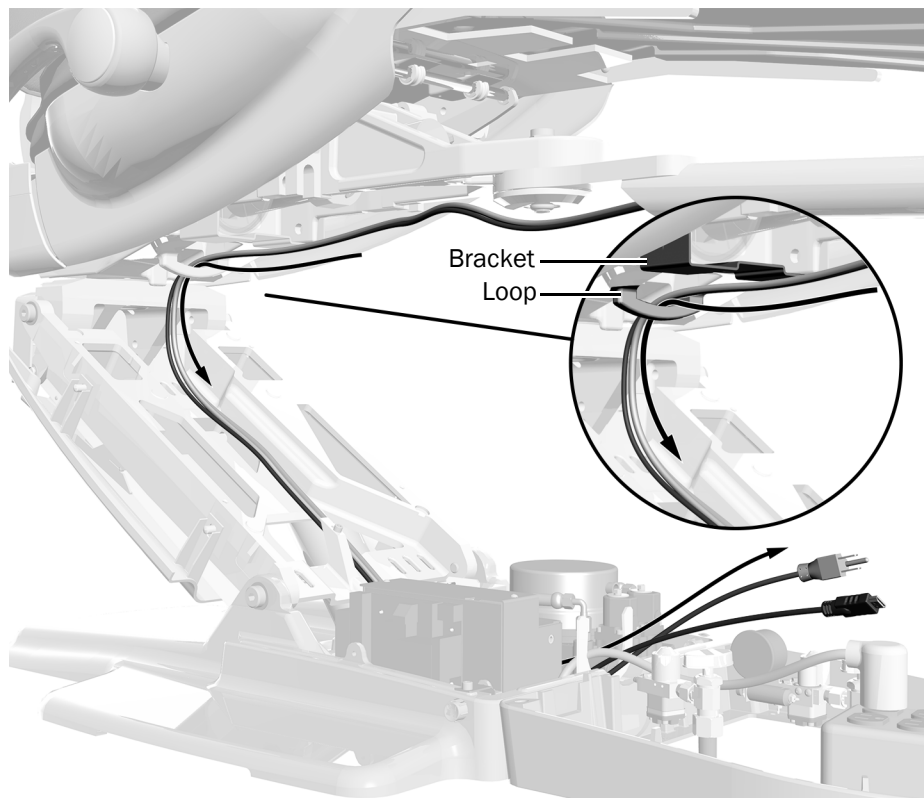
Task 3.

1 Remove the bail.



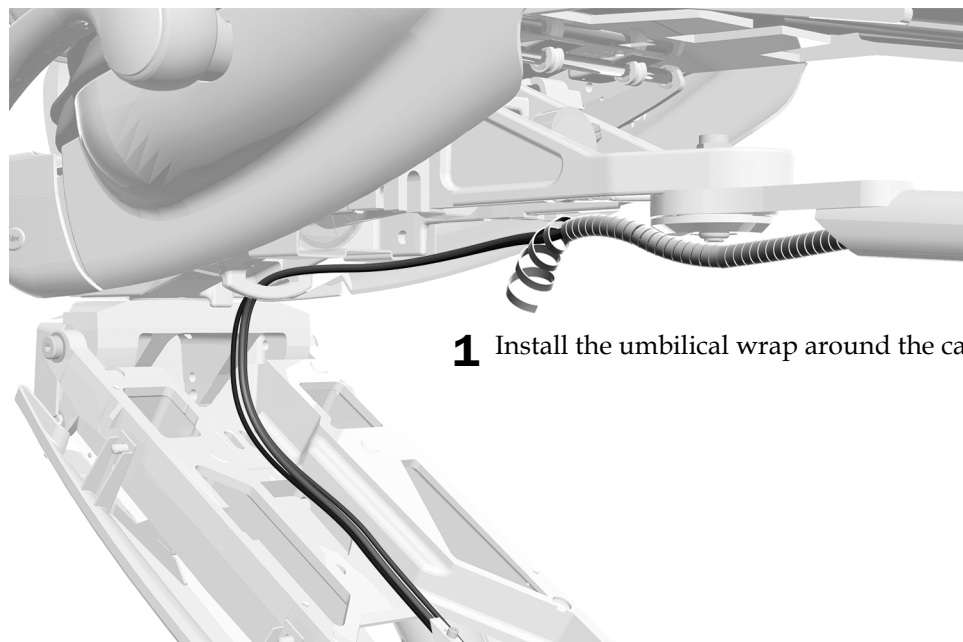
Route the Cables

Task 1.



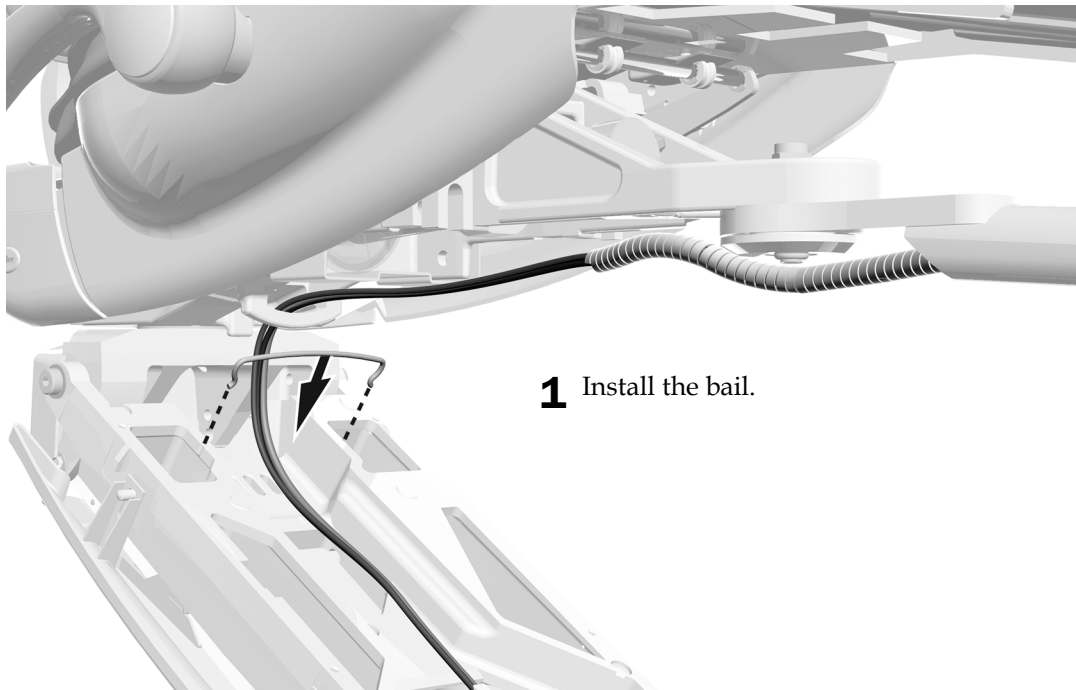
- 1** Route the cables under the bracket, behind the loop, and down the lift arm to the floor box.

Task 2.

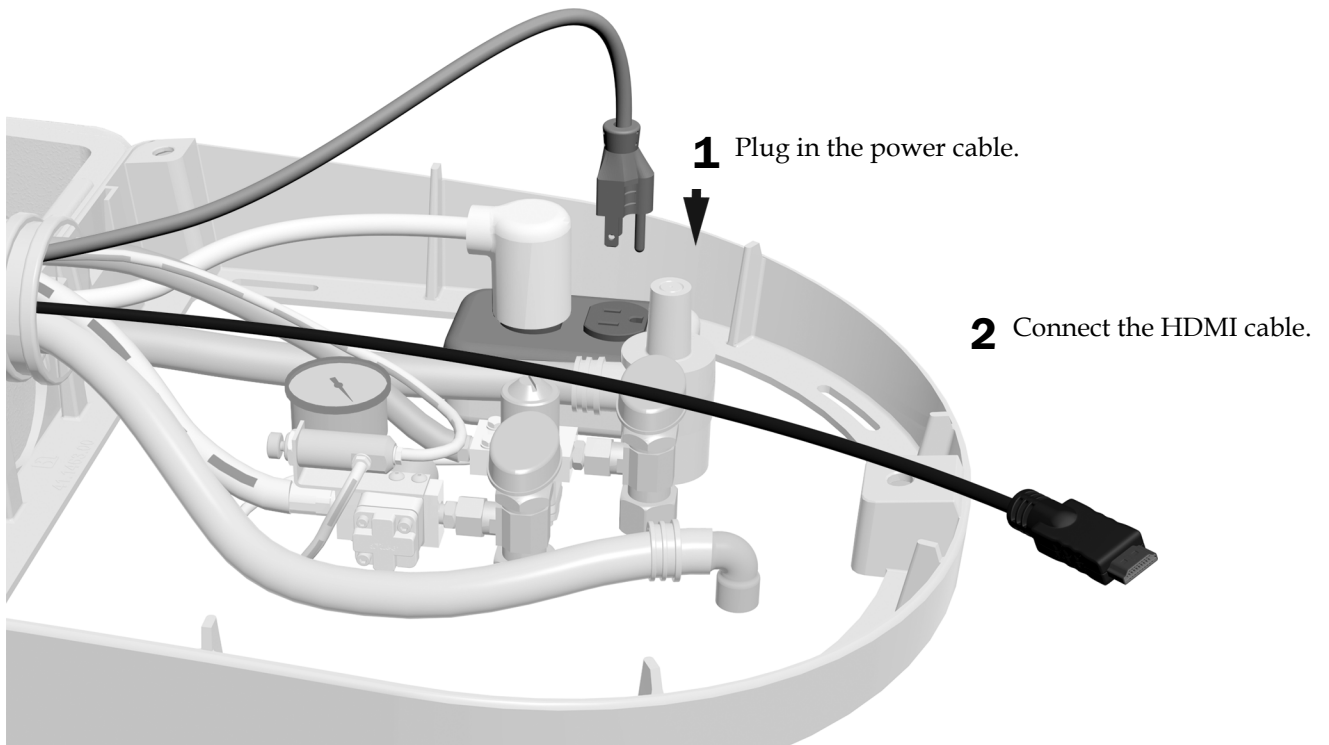


- 1** Install the umbilical wrap around the cables.

Task 3.



Task 4.



Next Step See "Adjust the System" on page 33.

Route the Cables on an A-dec Decade Chair

Task 1.

- 1 Pull the power and HDMI cables out of the rigid arm until you are sure there is no excess cable in the rigid arm. Be careful to leave a small loop in the cables at the top of the monitor mount.



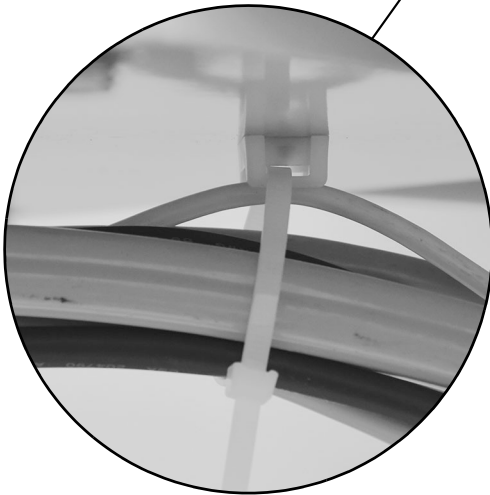
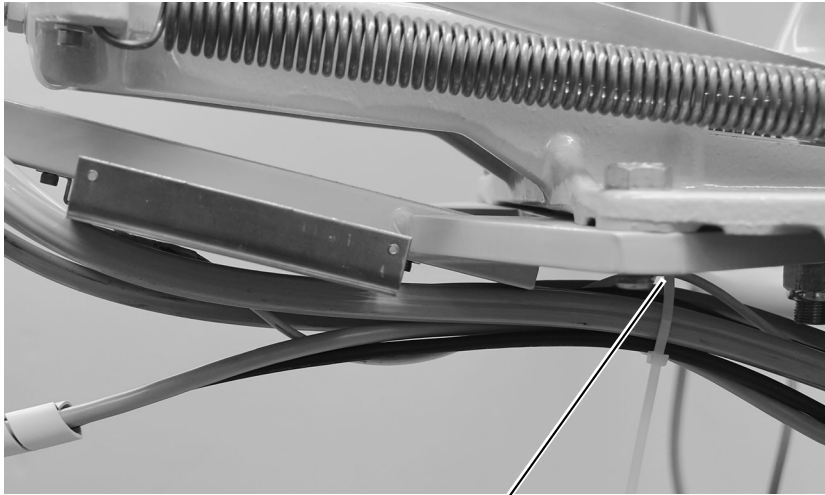
Task 2.

- 1 Wrap the spiral wrap around the power and HDMI cables. Be sure to place the wrap so the end of the wrap starts just inside the rigid arm.



Task 3.

- 1 Route the power and HDMI cables under the upper structure. Secure the cables to the loop with a cable tie.



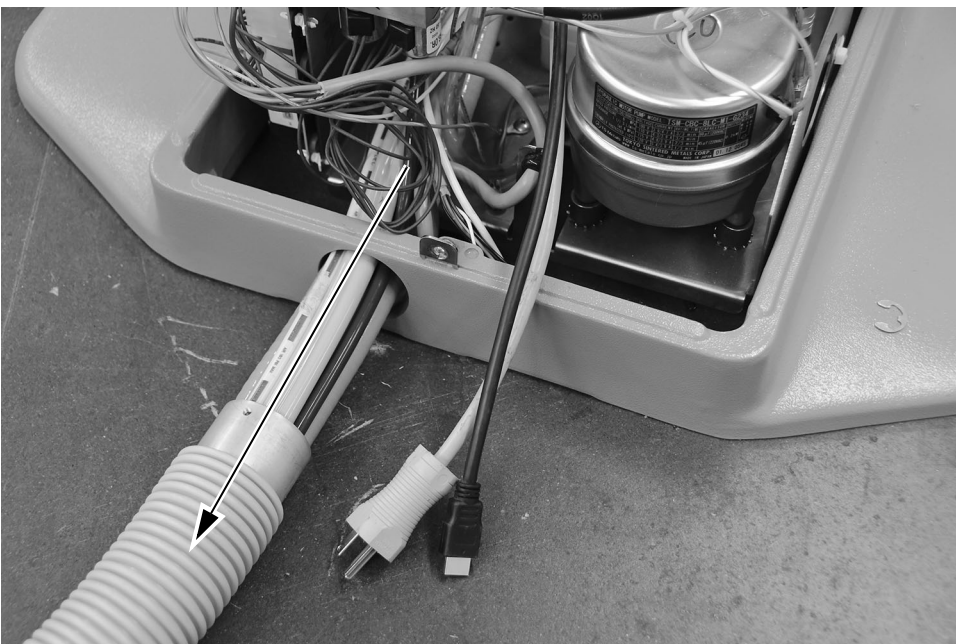
Task 4.

- 1 Route the power and HDMI cables to the back of the lift arm, then down to the bottom and into the pump area.



Task 5.

- 1 Route the power and HDMI cables through the conduit to the floorbox.



Next Step See "Adjust the System" on page 33.

Install the Monitor Mount on an A-dec Cascade Chair

Recommend Tool

- 1/8" hex key

The procedure for installing the 382 monitor on an A-dec Cascade chair is performed in reverse compared to other A-dec chair installations. The procedure starts with routing the power and HDMI cables through the base of the chair and finishes with installing the monitor mount on the rigid arm.

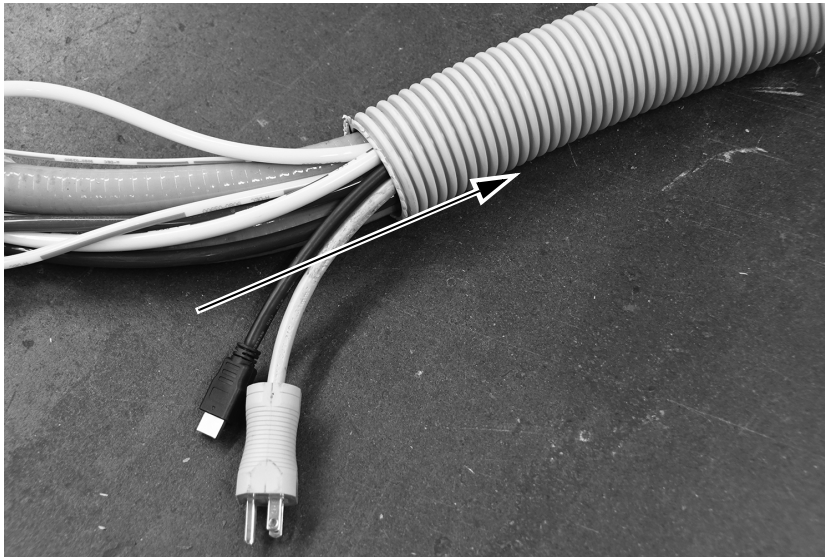


NOTE The 382 monitor mount cannot be installed by itself on an A-dec Cascade chair. It must be installed in tandem with an A-dec 300 delivery system. This procedure assumes that the monitor mount is being installed at the same time as an A-dec 300 delivery system.

Route the Power and HDMI Cables

Task 1.

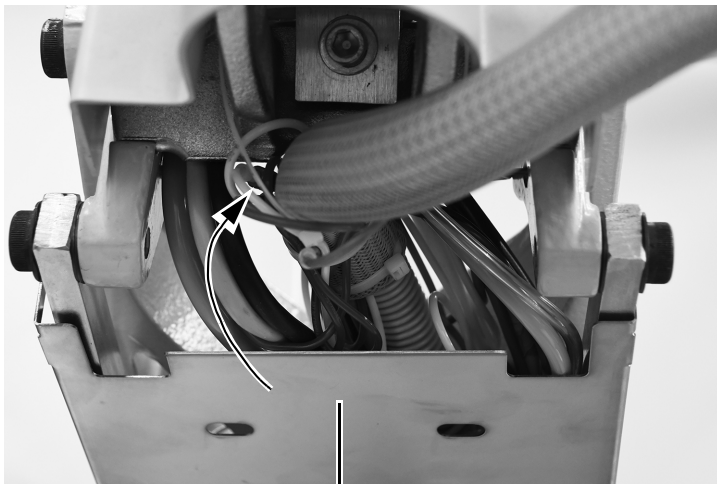
- 1** Starting at the end of the convolute away from the chair, route the power cable and HDMI cable into the convolute and out into the pump area below the chair.



- 2** Route the cables from the pump area to the back of the chair, behind the lift arm.

Task 2.

- 1 Route the cables up the back of the lift arm. Be careful to route the cables between the lift arm and the shield.

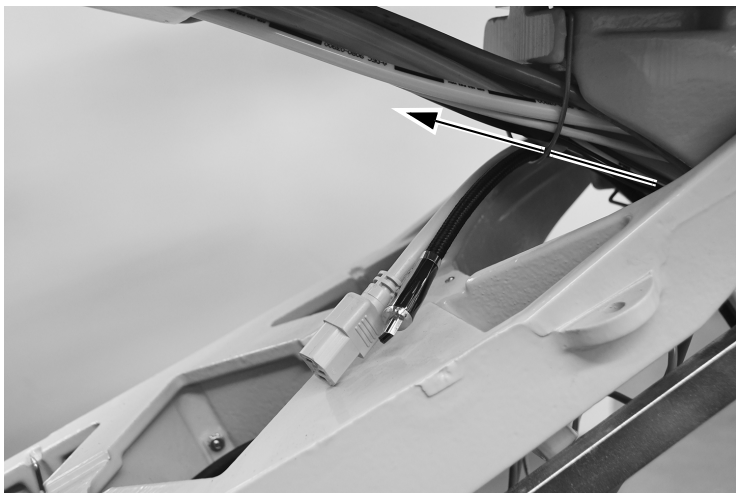


Shield

- 2 At the top of the lift arm, route the cables to the front of the lift arm.

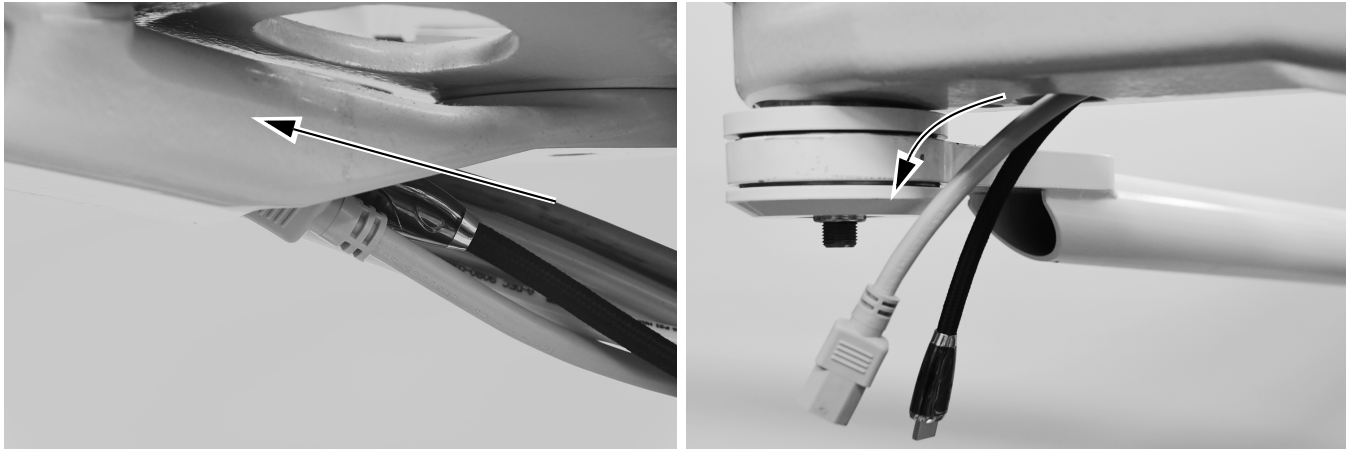
Task 3.

- 1 Route the cables from the back of the lift arm through the bail in front of the lift arm.



Task 4.

- 1 Route the cables into the front mount toward the front of the chair.



Task 5.

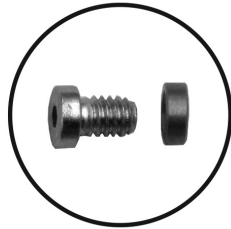
- 1 Route the cables into the monitor mount rigid arm.



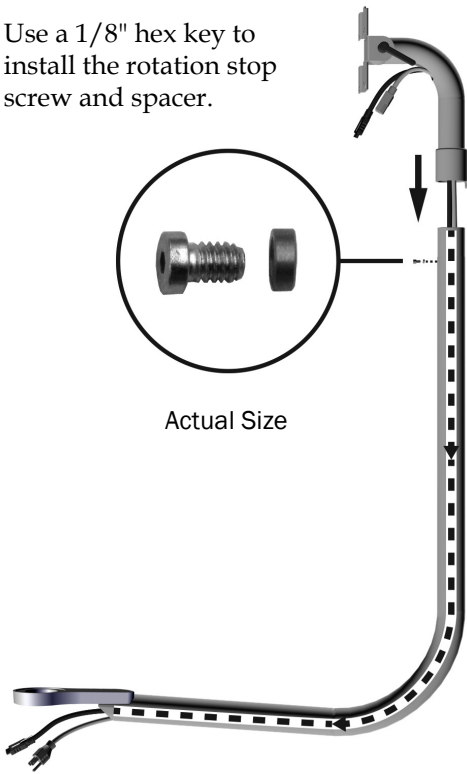
- 2 Continue feeding the cables into the rigid arm until the cables come out of the top for the rigid arm.

Task 6.

- 1** Use a 1/8" hex key to install the rotation stop screw and spacer.



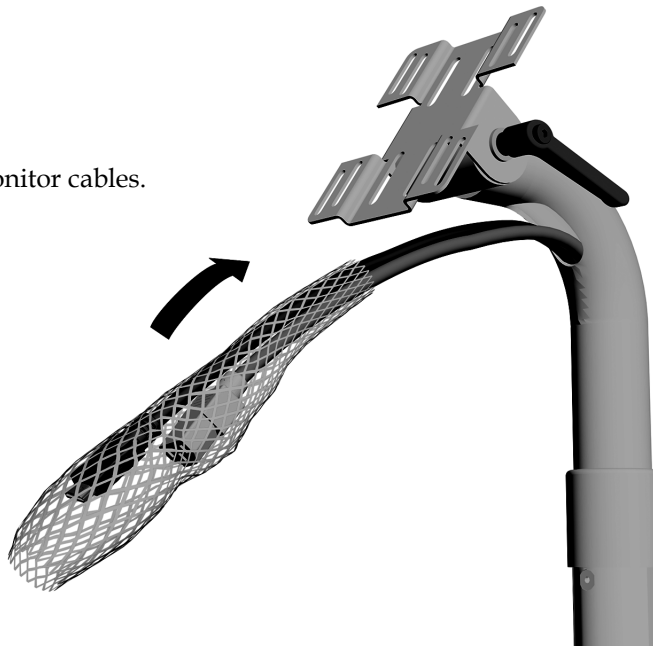
Actual Size



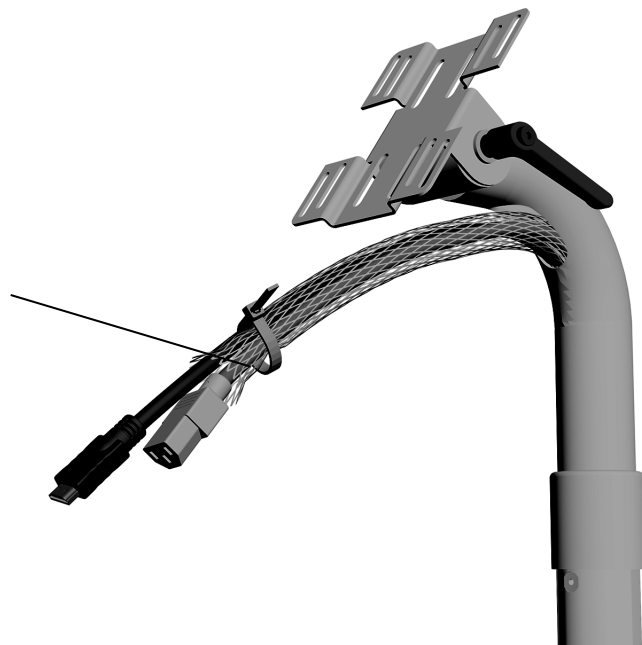
- 2** Route the power and video cables up through the monitor mount.
- 3** Slide the monitor mount onto the rigid arm.

Task 7.

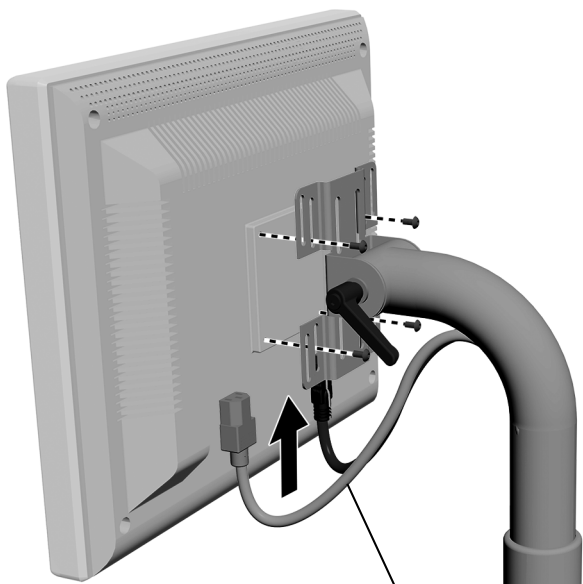
- 1 Install the protective sheath over the monitor cables.



- 2 Secure the sheath with a cable tie. Cut off the excess tie.



Task 8.



- 1 Position the monitor on the bracket.
- 2 Use the screws provided with the monitor to secure the monitor to the mount.



NOTE If the system includes an A-dec monitor mount handle, install it now before completing the rest of these instructions.

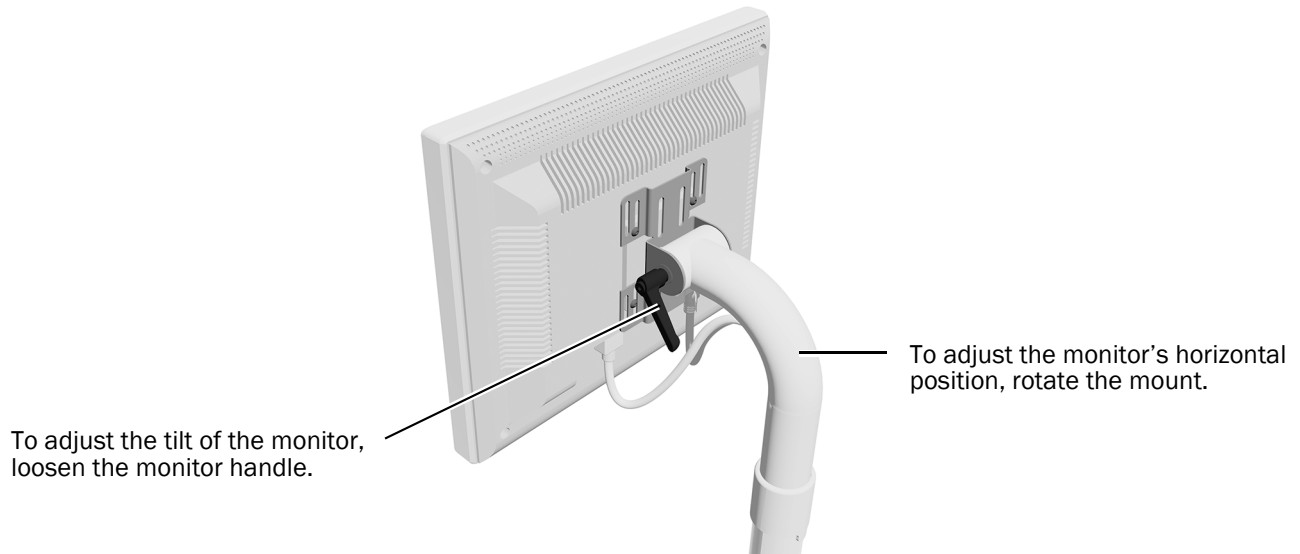
- 3 Plug in the cables.



CAUTION Leave a small loop to provide range of motion, but do not bind the cables.

Adjust the System

Adjust the Monitor Position



Adjust the Rigid Arm Tension

Recommended Tools

- 15/16" socket and ratchets (2)

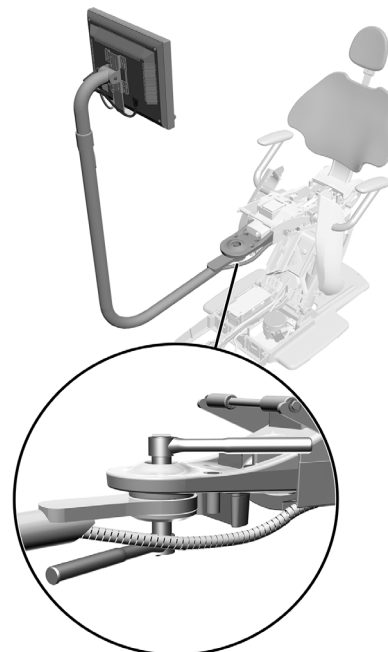


NOTE The following procedure does not apply to Cascade/Decade chair installations.



NOTE Complete this procedure to minimize the amount of unintentional rigid arm movement when adjusting the position of the monitor.

- 1** Place the monitor in a working position.
- 2** Tighten the lower nut.



A-dec 411 Dental Chair Shown

Test the System

Once the monitor is connected to a computer system, test the following:

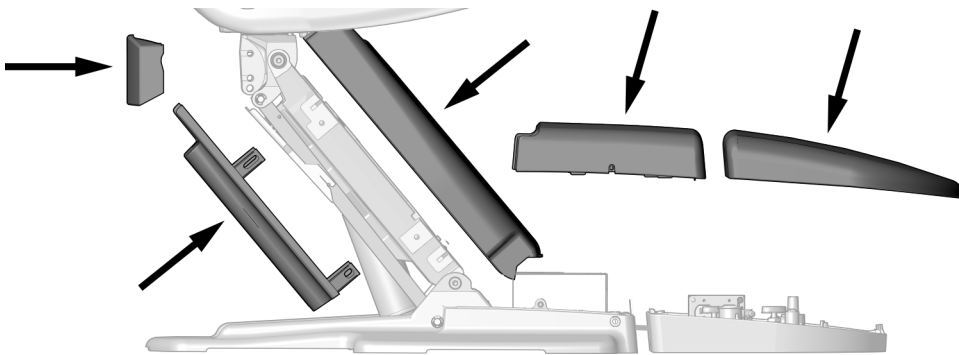
- When you reposition the monitor, it moves smoothly.
- After the monitor is in position, it doesn't drift.
- When you turn on the power to the monitor, it functions correctly.

Final Steps



WARNING Shock hazard. When you remove or replace the covers, take care not to damage any wiring or tubing. Verify that the covers are secure after you replace them.

1. Reinstall the remaining covers.



- **Cascade and Decade only:** If you have completed the installation of the delivery system, reinstall the seat upholstery, the floor box, pump, and lift arm covers.
- **A-dec 511A installation only:** Reinstall the underside cover.


Regulatory Information and Warranty

For required regulatory information and the A-dec Warranty, see the *Regulatory Information, Specifications, and Warranty* document (p/n 86.0221.00) available in the Resource Center at www.a-dec.com.



For quick access to this document online, scan, tap, or click this QR code, which points to a-dec.com/regulatory-guide.

All trademarks cited herein are registered trademarks or trademarks of A-dec, Inc. in the United States and may also be trademarks or registered trademarks in other countries.

 **A-dec Headquarters**
2601 Crestview Drive
Newberg, OR 97132 USA
Tel: 1.800.547.1883 Within USA/CAN
Tel: +1.503.538.7478 Outside USA/CAN
www.a-dec.com

A-dec, Inc. makes no warranty of any kind with regard to the content in this document including, but not limited to, the implied warranties of merchantability and fitness for a particular purpose.

**a dec**[®]
reliablecreativesolutions[®]



86.0413.00 Rev G
Date of Issue 2023-11-06
Copyright 2023 A-dec, Inc.
All rights reserved.
IGrphpor23