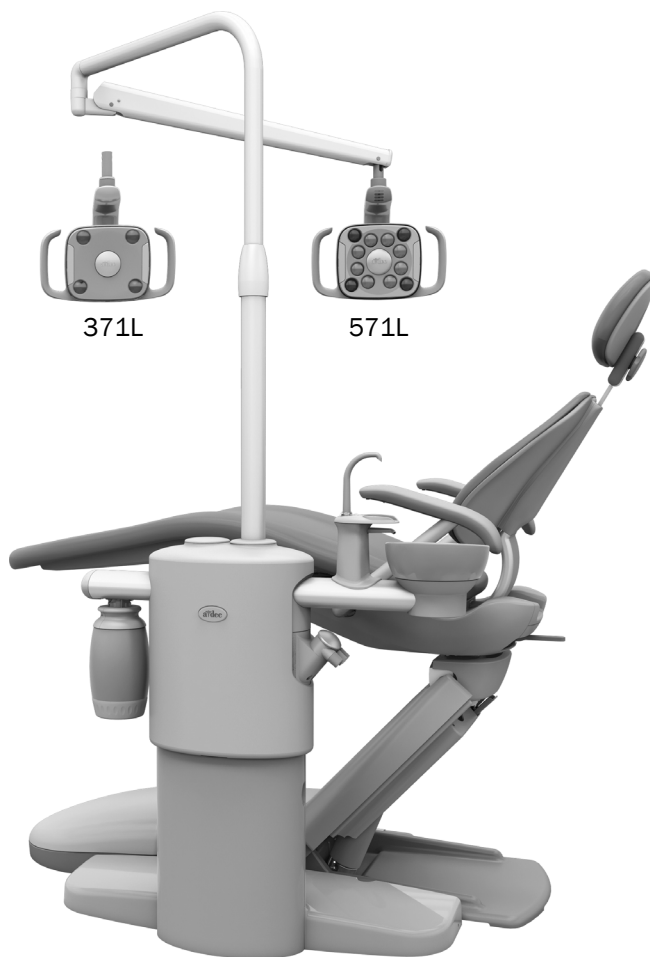




A-dec® 371L/571L Dental Light on A-dec 361/362/363 Support Center

INSTALLATION GUIDE



Product Models and Versions Covered in this Document

| Models | Versions | Description |
|-------------|----------|----------------|
| 371L | A | Dental Light |
| 571L | A | Dental Light |
| 361/362/363 | A | Support Center |

Before You Begin



WARNING Failure to turn off or disconnect the power before you begin this procedure can lead to product damage and result in serious injury or death.



ATTENTION Circuit boards are sensitive to static electricity. Electrostatic Discharge (ESD) precautions are required when touching a circuit board or making connections to or from the circuit board. Circuit boards should be installed only by an electrician or qualified service person.

1. Turn off the power to the system before you begin the installation.

Install the Light

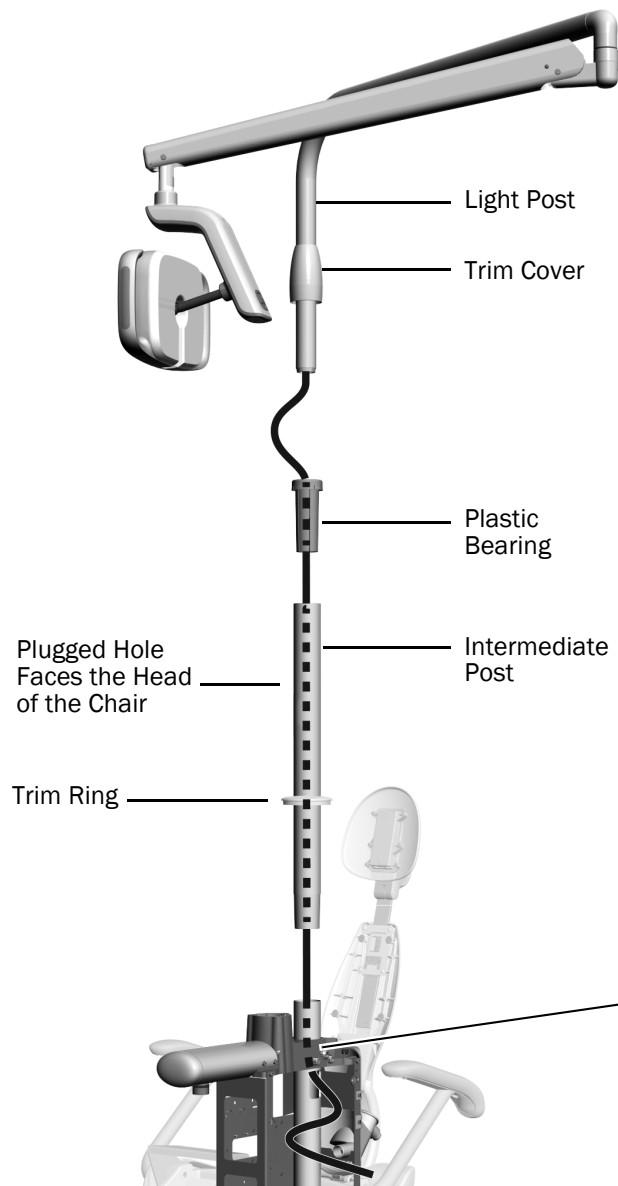


NOTE The instructions in this installation guide apply equally to both the 371L and 571L dental lights, except where noted.

Recommended Tool

- Rubber mallet

Install the Dental Light Components



- 1** Slide the trim ring onto the top of the support center post, and then insert the intermediate post into the support center post.
- 2** Orient the plugged hole in the intermediate post so that it faces the head of the chair.
- 3** Lightly tap the top of the intermediate post with a rubber mallet. Do not hit it too hard or it will be difficult to remove.



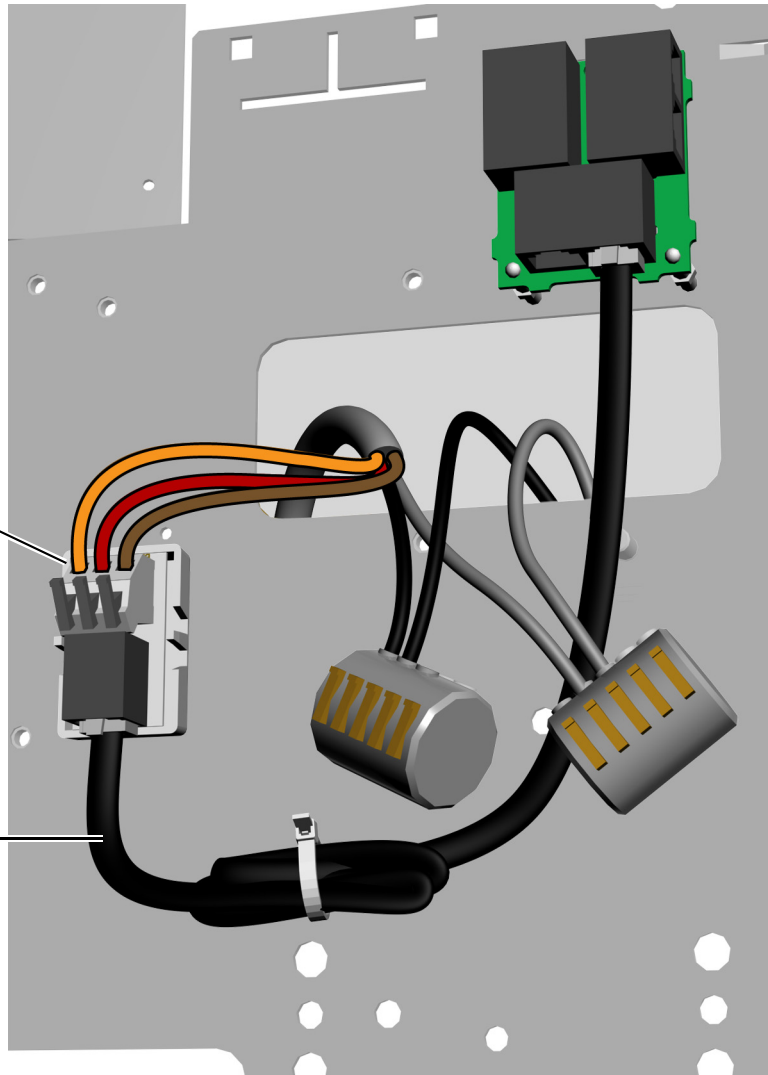
NOTE When the post is fully seated, there is still a gap between the white painted sections. The gap will be behind the support center covers.

- 4** Insert the plastic bearing into the intermediate post.
- 5** Place the trim cover on the light post.
- 6** Route the light cable into the intermediate post and out of the rectangular hole in the support center post.
- 7** Insert the light post into the intermediate post until fully seated and slip the trim cover down over the bearing and intermediate post.

Connect the Wires and Data Line

Make the following connections in the support center:

- 1** Peel off the protective paper from the adaptor board. Attach the adaptor board to the support center frame.
- 2** Connect the black and gray wires to their corresponding wire connectors.
- 3** Connect the wires to the positions on the adaptor board as labeled; brown to BRN, red to RED, and orange to ORN.
- 4** Connect the data line from the adaptor board to a data port.
- 5** Coil and secure the excess cable.



Prepare and Adjust the Light

Adjust the Dental Light Flexarm Counterbalance

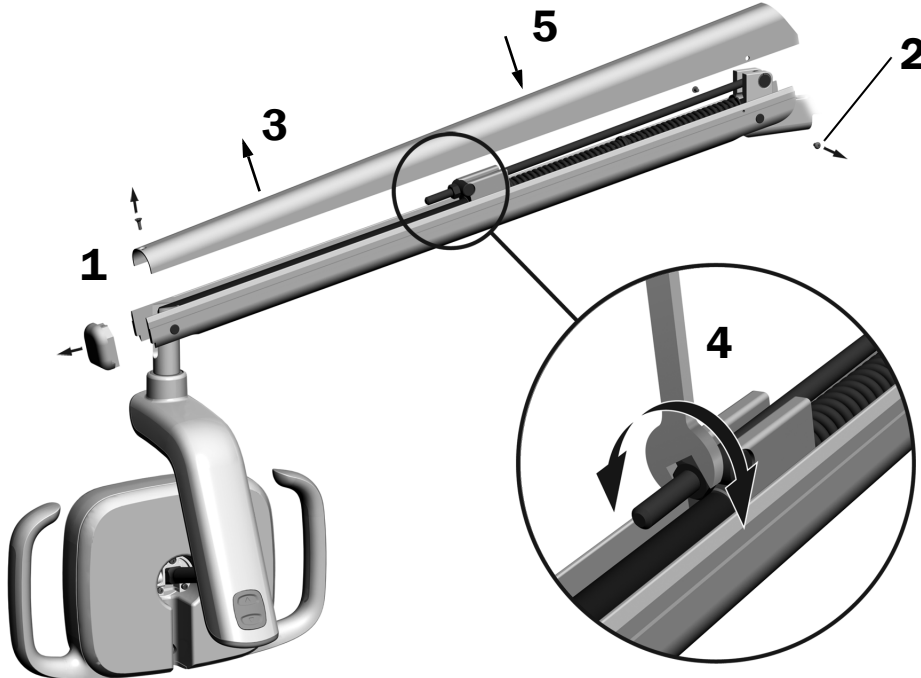
Recommended Tools

- Phillips head screwdriver
- 5/64" hex key
- 1/2" combination wrench



NOTE Complete this procedure to minimize the amount of unintentional dental light flexarm movement when adjusting the position of the light.

1. Remove the end cap of the flexarm.
2. Remove the two screws that secure the cover.
3. Remove the cover.
4. Adjust the nut on the end of the spring.
If the dental light drifts up, turn the nut counterclockwise.
If the dental light drifts down, turn the nut clockwise.
5. Set the cover back onto the flexarm (but do not reattach it yet). Check for drift.
6. Repeat steps 4 and 5 until drift is eliminated.
7. Reinstall the screws that secure the cover and reinstall the end cap.



NOTE An optional travel stop limit kit (p/n 90.1044.00) can be installed to limit the upward and downward motion of the flexarm.

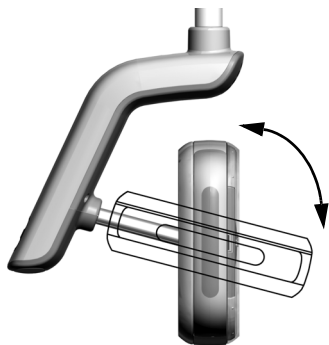
Adjust the Rotation Tension Settings

Test the rotation tension of the light head. If it needs to be adjusted, follow the directions for the type of tension that you will adjust.

Recommended Tool

- 7/64" hex key

Adjust the Vertical Tension



- 1** To adjust the tension, turn the screw. Clockwise increases the tension.



Adjust the Horizontal and Diagonal Tension

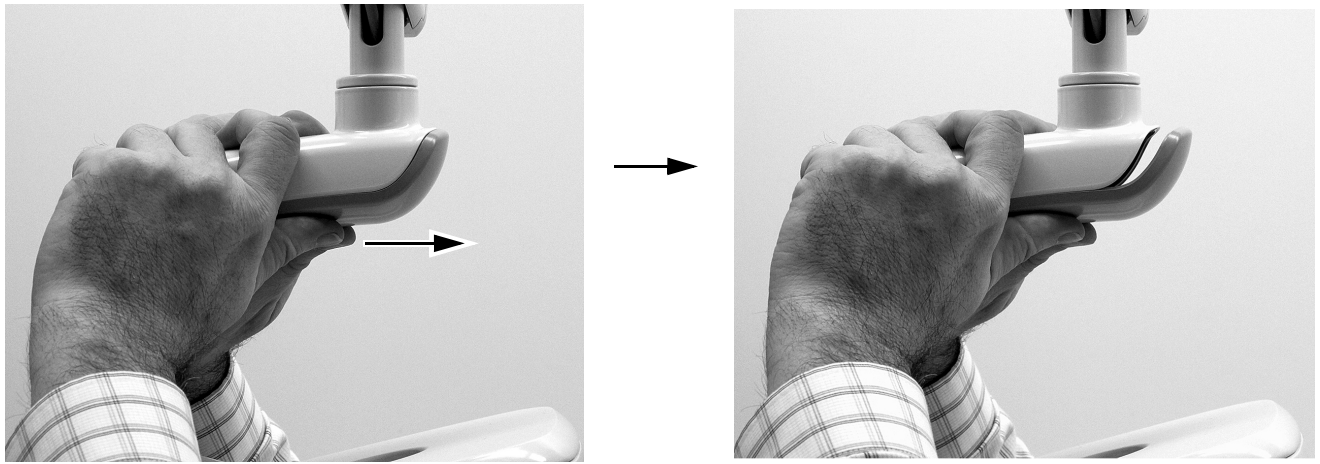
Task 1.

- 1** Remove the two screws securing the driver housing cover.



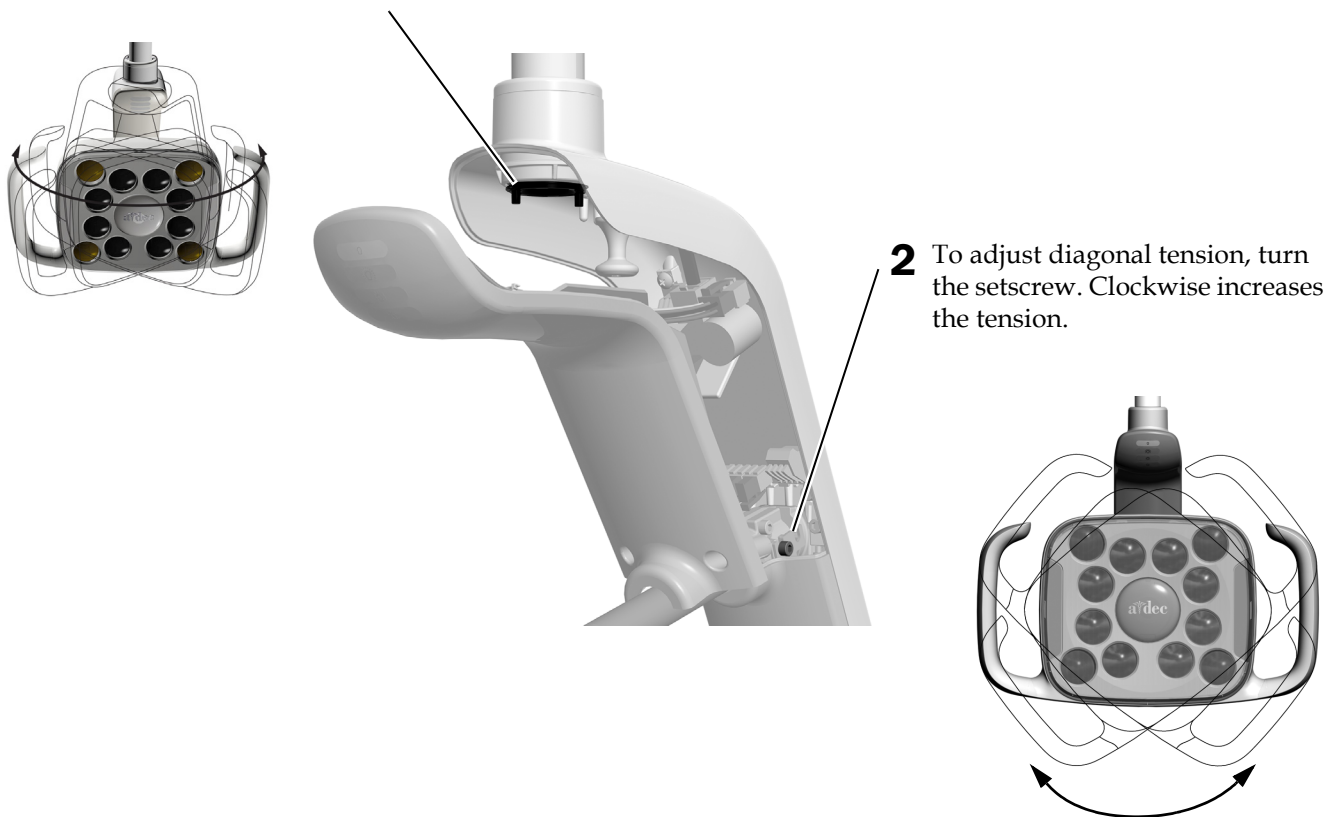
Task 2.

- 1 Grasp the driver housing and use your thumbs to push the driver housing cover away from the driver housing.



Task 3.

- 1 To adjust horizontal tension, rotate the friction adjustment.
Clockwise increases the tension.



Test the Light

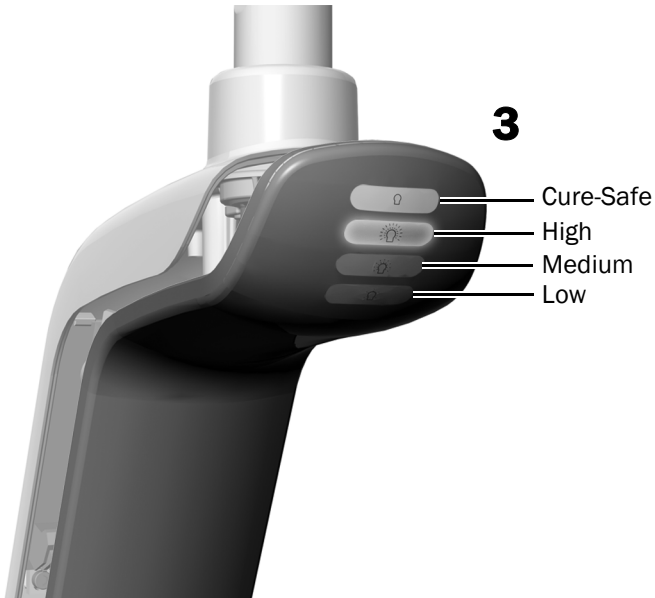
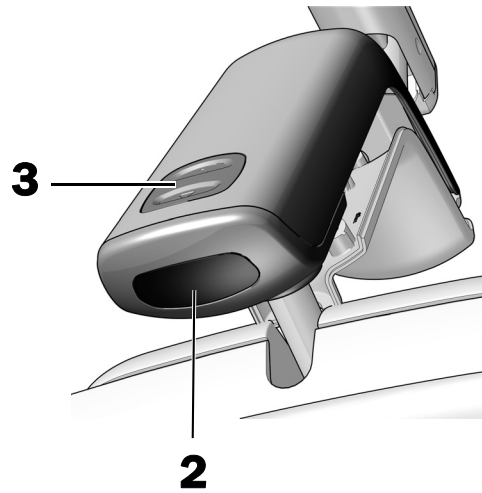
Perform the test procedure appropriate to your light:

- Test the Light From the A-dec 571L Light Head 8**
- Test the Light From the A-dec 371L Light Head 9**
- Test the Light From the Control Pad 10**

Test the Light From the A-dec 571L Light Head

Task 1.

1. Turn on the power to the system.
2. Move your hand within 3" (76 mm) of the touchless on/off sensor several times to verify the light switches between off and on.
3. Press the mode button to test the light in each mode and verify that the correct light on the driver housing cover is illuminated.
4. If it doesn't work properly, check the wire connections.

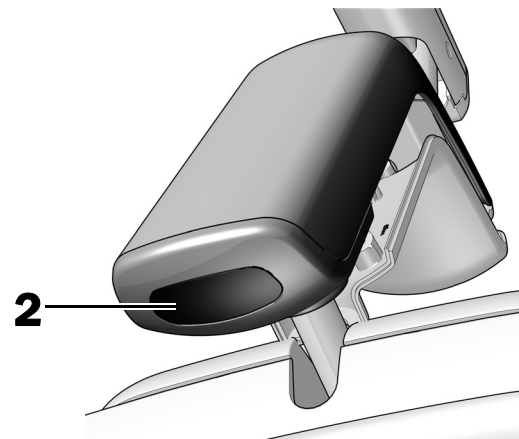


Next Step See "Test the Light From the Control Pad" on page 10.

Test the Light From the A-dec 371L Light Head

Task 1.

1. Turn on the power to the system.
2. Test the light:
 - **Lights with touch control functionality** – Move your hand within 3" (76 mm) of the touchless on/off sensor several times to verify the light switches between off and on.
 - **Lights without touch control functionality** – Move your hand within 3" (76 mm) of the touchless on/off sensor and verify that the light cycles through high-low-off.
3. If it doesn't work properly, check the wiring connections.



Test the Light From the Control Pad

See the section for the type of control interface on your system.



NOTE Touch control symbols and icons are proprietary to A-dec, Inc.

CP5i/CP5 Control Pads




For touchscreen and control pad use, see the *A-dec Touchscreens and Control Pads Instructions for Use* (p/n 86.0857.00) at a-dec.com/touchscreen-manual.



For configuring connectivity features, see the *A-dec+™ Instructions for Use* (p/n 86.1030.00) at a-dec.com/connectivity-manual.





A-dec 300 Deluxe and Standard Touchpads

- 1** Turn on the power to the system.
- 2** To verify the light turns on and toggles between intensity modes (371L: high and composite/low; 571L: high, medium, and low, plus cure-safe mode), repeatedly press and release . To turn off the light, press and hold the button.



NOTE When the 371L is in composite mode or the 571L is in cure-safe mode, the light indicator on the touchpad flashes.

- 3** To disable the auto on/off feature, press and hold  and  at the same time for three seconds. One beep indicates that the auto on/off function is off. To re-enable, repeat this step. Three beeps indicate that the auto on/off feature is activated.



Standard Touchpad



A-dec 300 Deluxe Touchpad

Reinstall the Driver Housing Cover

Recommended Tool

- 7/64" hex key



WARNING Shock hazard. When you remove or replace the covers, take care not to damage any wiring or tubing. Verify that the covers are secure after you replace them.

- 1** Position the driver housing cover so the keyhole fits around the post; then push the driver housing cover into position with your palm.



- 2** Use two screws to secure the cover.



Level the Light

Recommended Tools

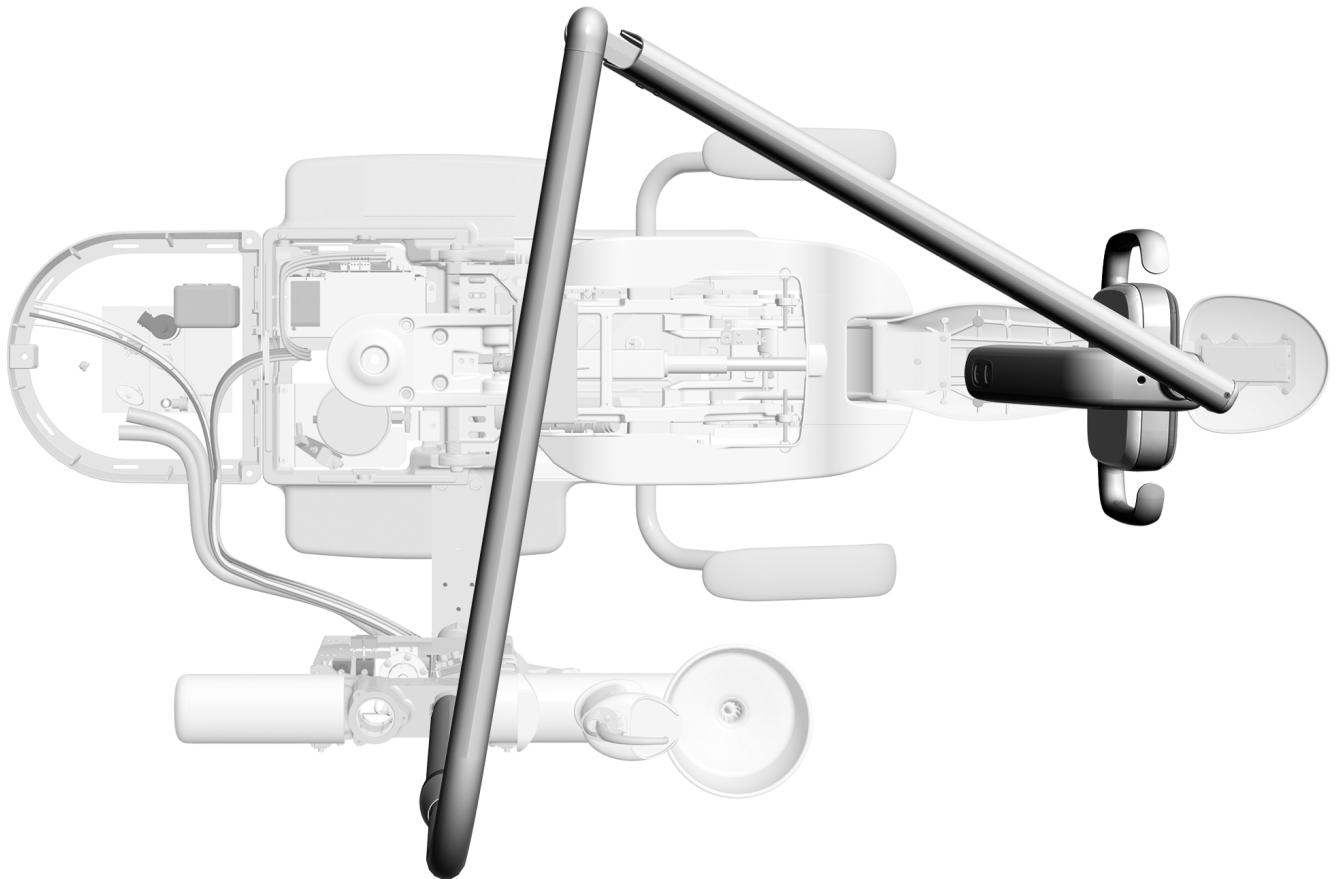
- Magnetic level
- 3/16" hex key



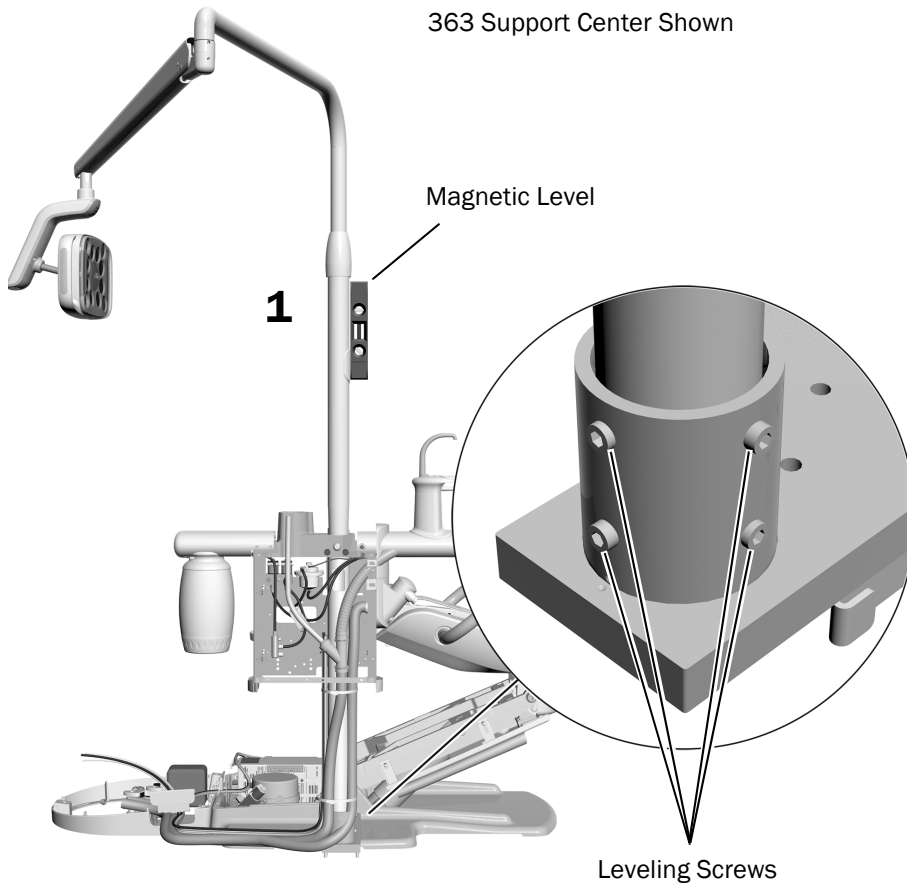
NOTE If the light is installed on a chair that includes a delivery system, do not use these leveling instructions. Refer to the installation guide that ships with the support center for leveling instructions.

Task 1.

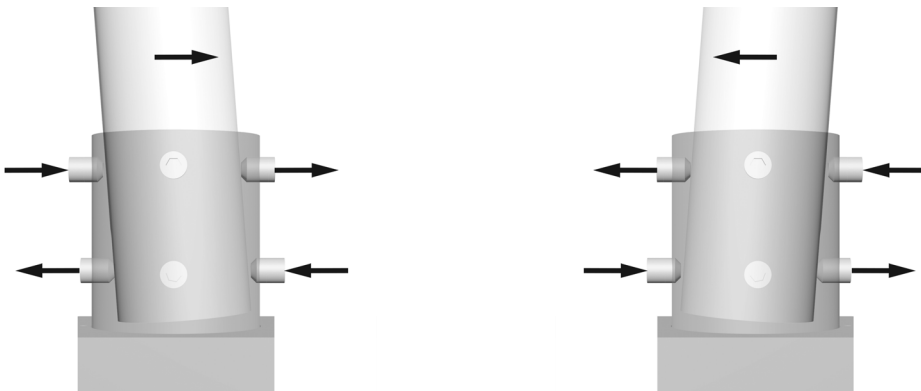
- 1** Move the chair and dental light into the normal working position for the doctor.



Task 2.



1. Place a magnetic level vertically on the light post. Align the level with the leveling screws to be adjusted.
2. Align the light post by adjusting the leveling screws in the mount at the base of the post.
3. To change the tilt of the post, adjust the leveling screws on the top and bottom of the mount in opposite directions. Which screws you tighten or loosen depends on the direction of the tilt you are trying to correct. Tighten and loosen leveling screws in pairs.



4. Adjust all eight leveling screws around the mount until the light post is plumb.


Regulatory Information and Warranty

For required regulatory information and the A-dec warranty, see the *Regulatory Information, Specifications, and Warranty* document (p/n 86.0221.00) available in the Resource Center at www.a-dec.com.



For quick access to this document online, scan, tap, or click this QR code, which points to a-dec.com/regulatory-guide.

All trademarks cited herein are the property of their respective owners.

 **A-dec Headquarters**
2601 Crestview Drive
Newberg, OR 97132 USA
Tel: 1.800.547.1883 Within USA/CAN
Tel: +1.503.538.7478 Outside USA/CAN
www.a-dec.com

A-dec, Inc. makes no warranty of any kind with regard to the content in this document including, but not limited to, the implied warranties of merchantability and fitness for a particular purpose.



86.0341.00 Rev H
Date of Issue 2022-11-30
Copyright 2022 A-dec, Inc.
All rights reserved.
IGrphpor22