



A-dec® 377L/577L Dental Light on Track Mount

INSTALLATION GUIDE



Product Models and Versions Covered in this Document

Models	Versions	Description
377L/577L	A	Dental Light

Before You Begin



CAUTION Two people are required to install the track light to prevent injury.

Do not remove the track from the ceiling pallet.

Prepare the Ceiling



WARNING Mounting structures must be designed to support a minimum static load of 200 lb (91 kg). Consult a licensed professional, i.e. structural or architectural engineer as needed. Ensure that all installations conform to local code requirements.

Recommended Tools

- Drill and 3/16" drill bit

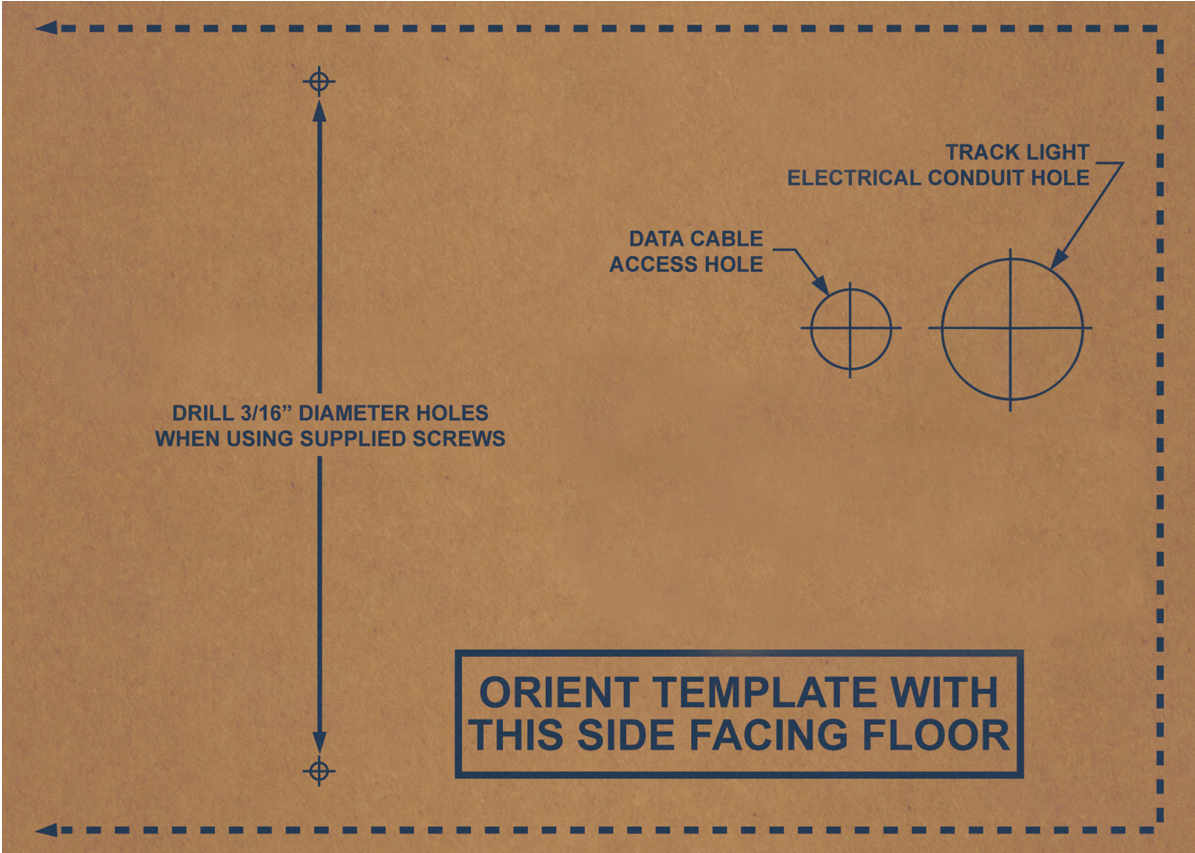
Consult your operatory floor plan to determine the installation location.

Task 1. Determine the location of the ceiling joists.



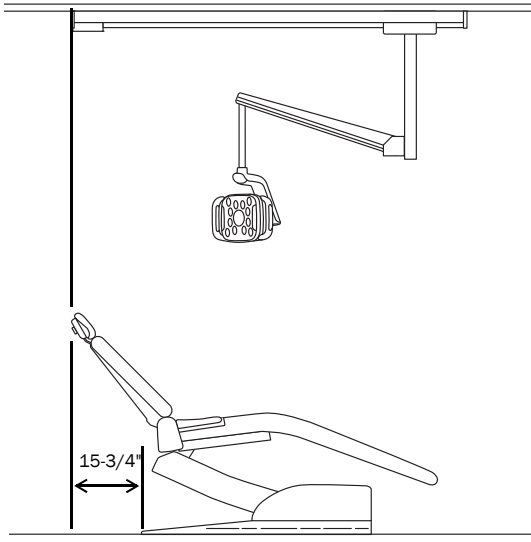
NOTE Read completely through the next task before taking action.

Task 2. Use the template printed on the shipping box to mark where to drill the holes for the mounting bolts, power stub, and data line. If the shipping box is not available, contact A-dec Customer Service to order the *A-dec Dental Light Track-Mount Template* (p/n 86.0736.00).

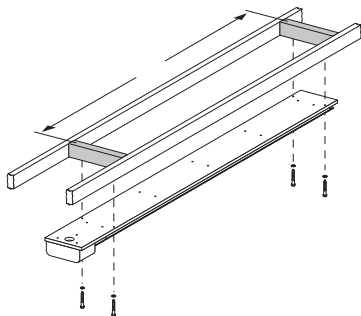


Template on the Shipping Box

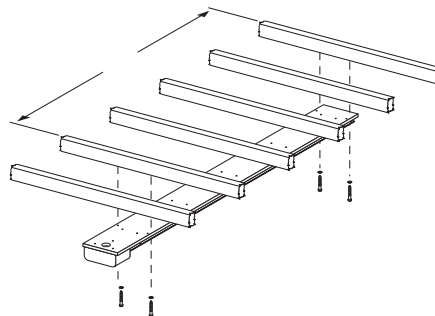
Position the template with the power supply housing 15-3/4" (400 mm) from the edge of the chair baseplate.



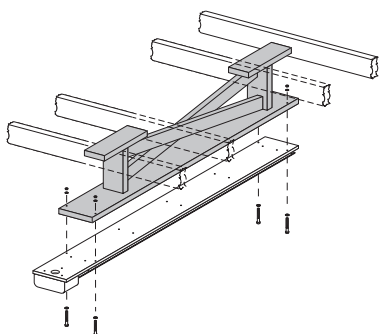
The screws must mount into a minimum of 2-1/2" (63.5 mm) of solid wood. If the installation requires different mounting hole locations, modify the ceiling sub-structure to accommodate the installation.



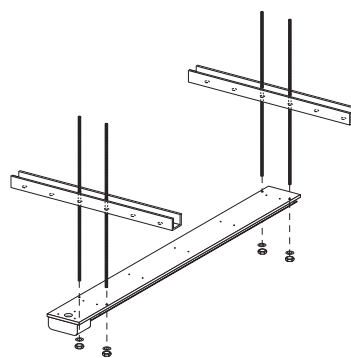
New Construction



Existing Construction



Suspended Ceiling, Wood Structure



Suspended Ceiling, Metal Structure

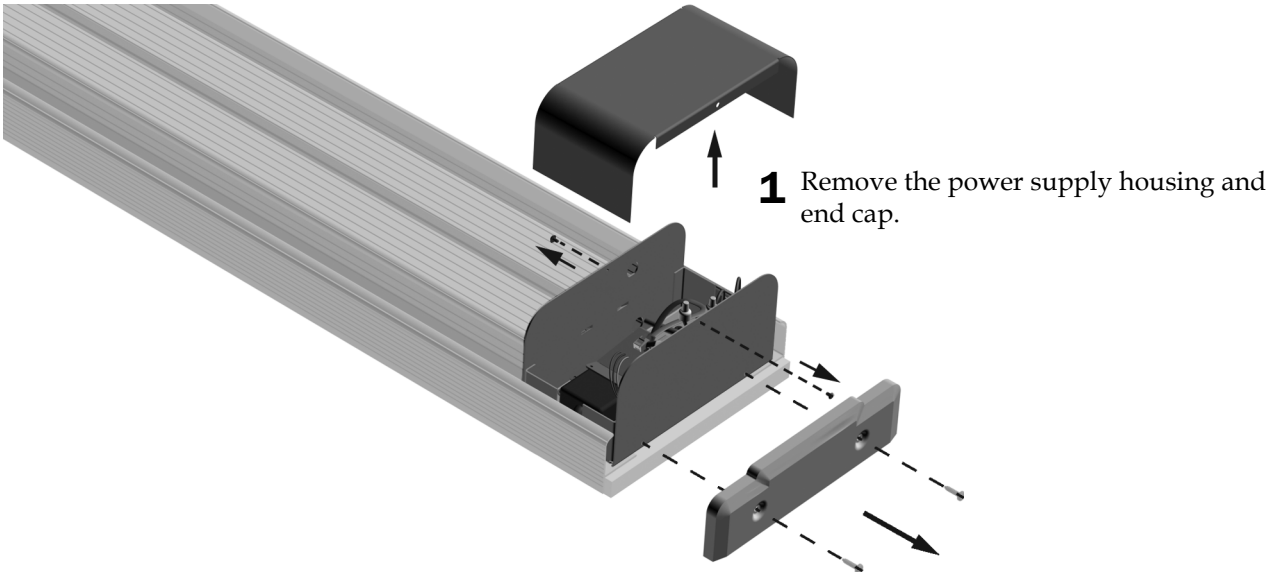
Task 3. Use a 3/16" bit to drill the pilot mounting holes. Drill the holes for the power stub and data line.

Install the Track

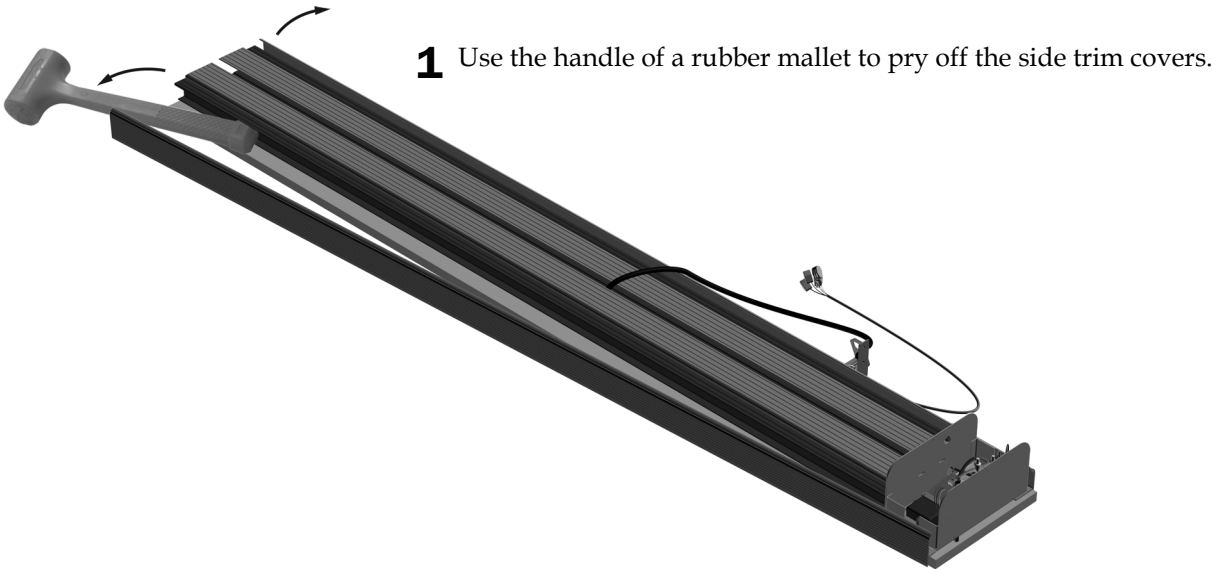
Recommended Tools

- Rubber mallet
- 5/64" hex key
- Phillips head screwdriver
- 7/16" socket and ratchet
- Level

Task 1.



Task 2.

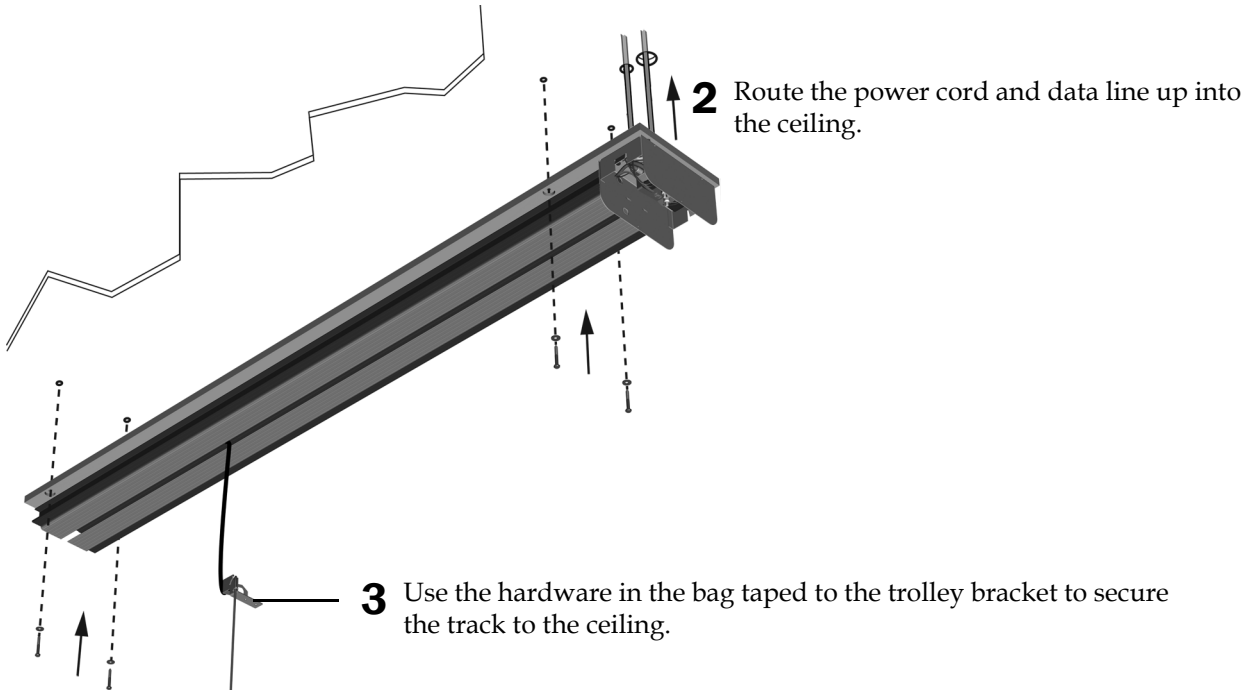


Task 3.

- 1 Position the track where you drilled the pilot holes.

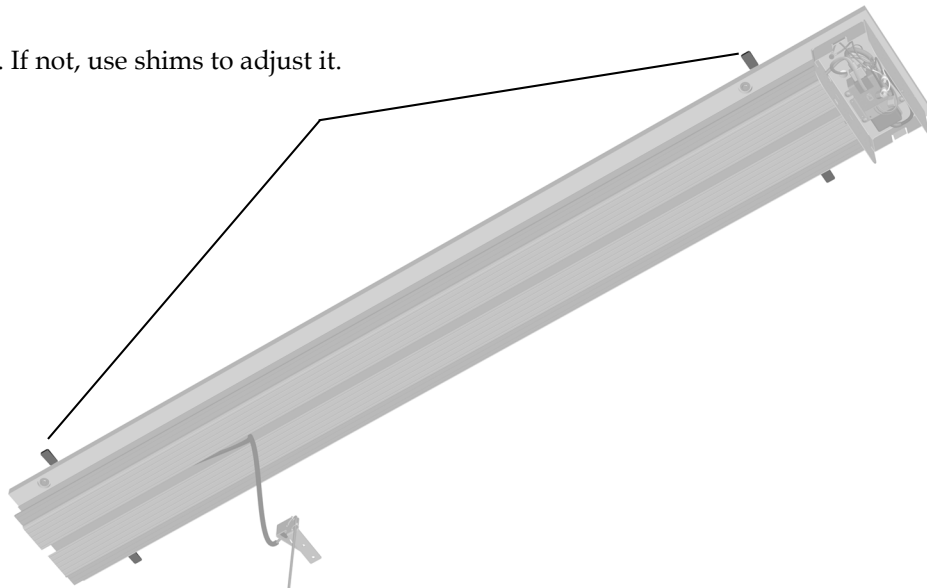


NOTE If the end of the track without the power supply is closer than 9-1/2" (241 mm) to a wall, the trolley and post assembly must be installed in the track before installing the track. Those instructions begin on the following page.



Task 4.

- 1 Check that the track is level. If not, use shims to adjust it.



Install the Trolley

Attach the Post

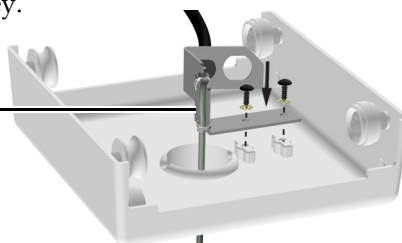
Recommended Tools

- Phillips head screwdriver
- 3/32" hex key

Task 1.

1 Route the light cable through the trolley.

2 Use two screws to attach the bracket to the trolley.

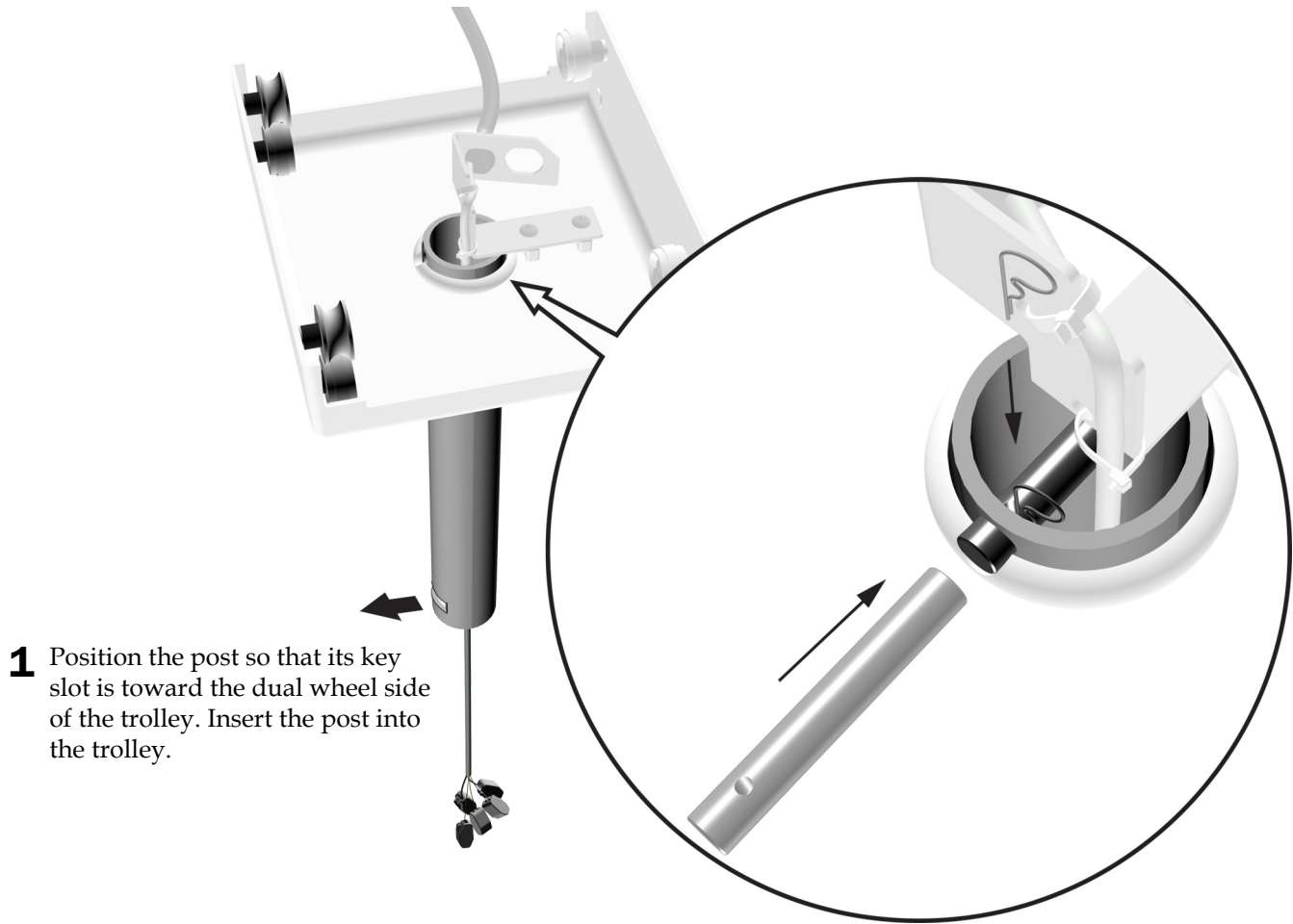


3 Position the post so its end with the key slot is toward the floor. Route the light cable through the post.



TIP Tie a piece of tubing to the cable so you can easily pull it through the post.

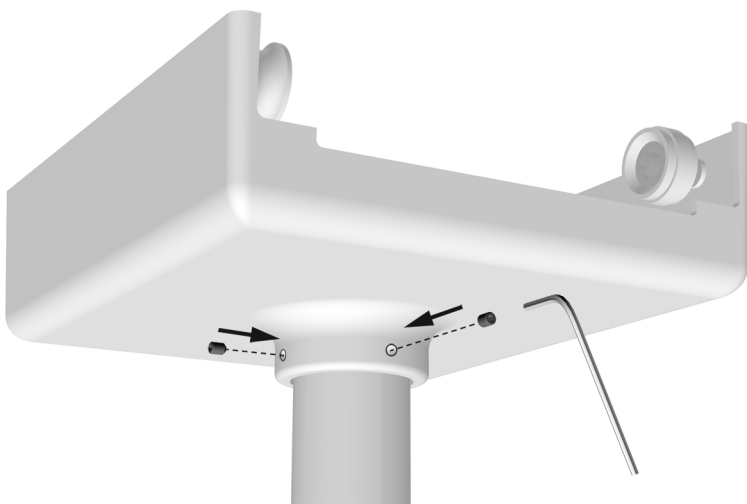
Task 2.



1 Position the post so that its key slot is toward the dual wheel side of the trolley. Insert the post into the trolley.

2 Insert the cross pin so that its end with a hole is positioned away from the bracket. Insert the cross pin retainer.

Task 3.



1 Securely install the setscrews.

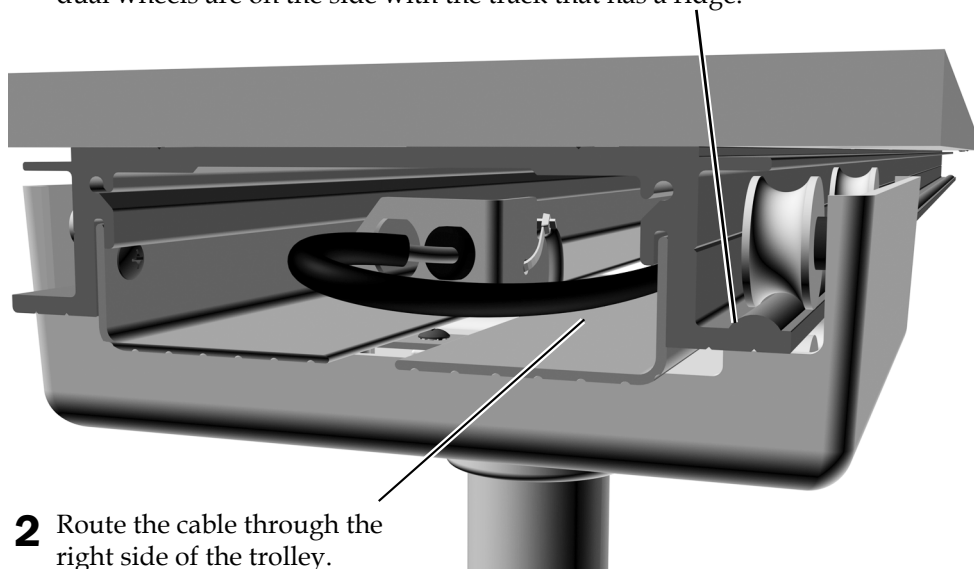
Attach the Trolley Assembly

Recommended Tool

- 5/32" hex key

Task 1.

- 1** On the end of the track that is away from the power supply, partially insert the trolley assembly so that the dual wheels are on the side with the track that has a ridge.



- 2** Route the cable through the right side of the trolley.

- 3** Slide the trolley completely onto the track.

Task 2.



- 1** Install the stops.

- 2** Install the rubber bumpers.

Connect the Data Line



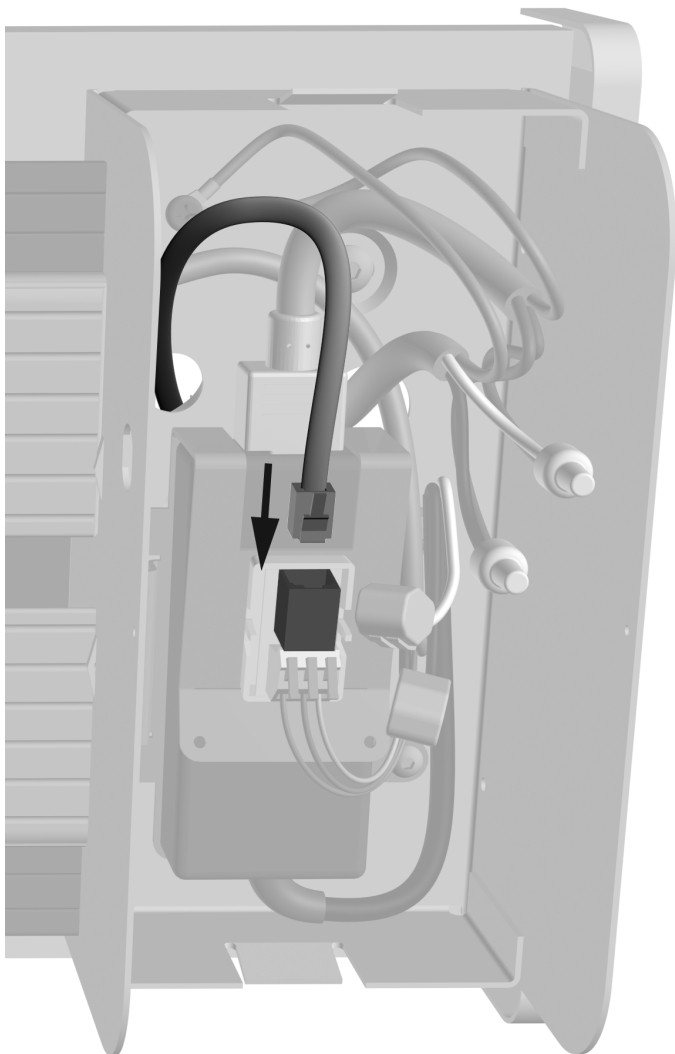
WARNING Failure to turn off or disconnect the power before you begin this procedure can lead to product damage and result in serious injury or death.



ATTENTION Circuit boards are sensitive to static electricity. Electrostatic Discharge (ESD) precautions are required when touching a circuit board or making connections to or from the circuit board. Circuit boards should be installed only by an electrician or qualified service person.

1. Turn off the power to the system before you begin the installation.

Task 1.



- 1** Plug in the data line.

Connect the Mains Power



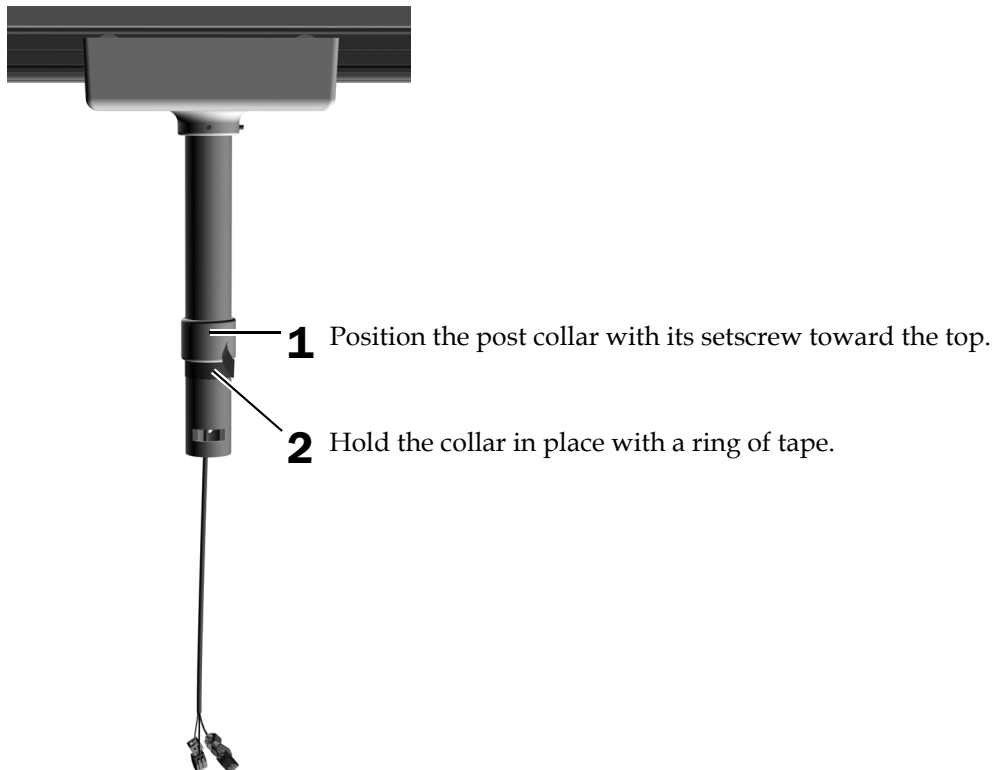
CAUTION Electrical mains wiring (100 – 240 VAC) must be installed by a licensed electrician or other qualified personnel according to local codes and regulations.

Install the Flexarm and Light Head Assembly

Recommended Tools

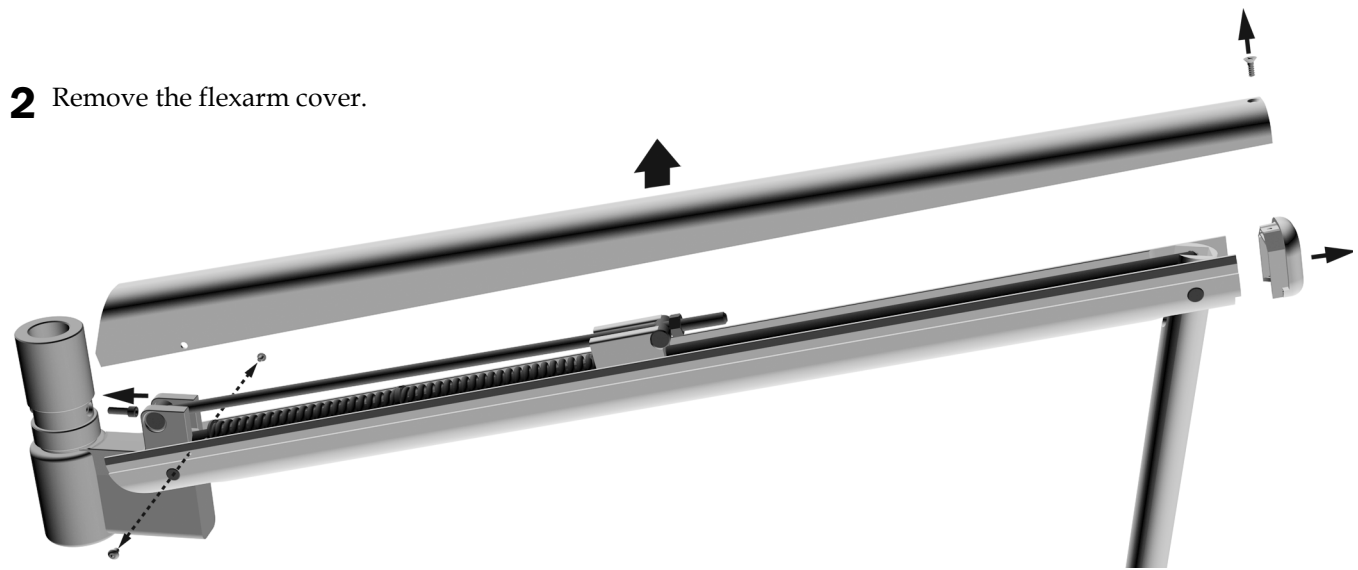
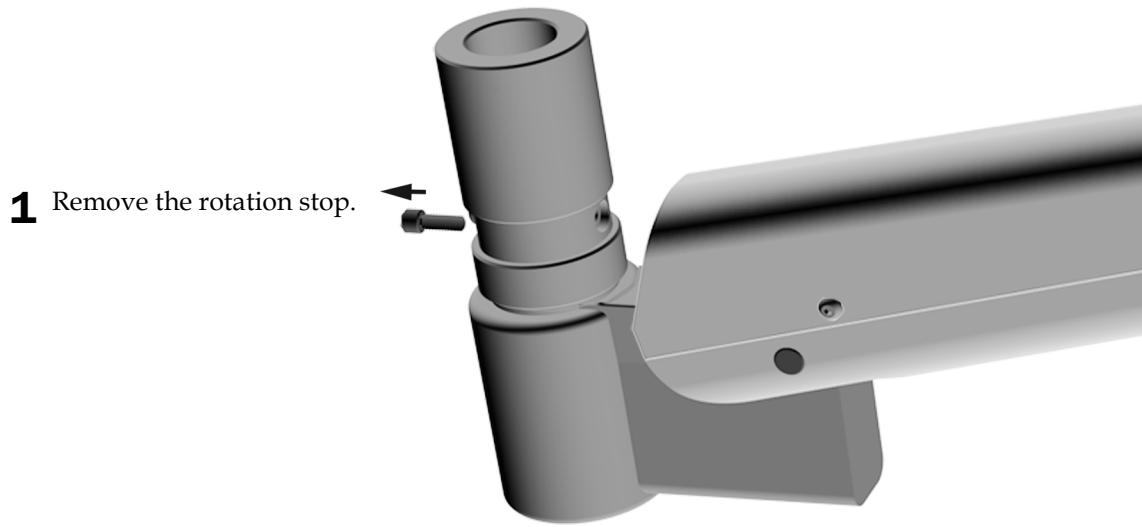
- 1/16", 5/32", and 5/16" hex keys
- Masking tape
- Phillips head screwdriver

Task 1.



Task 2.

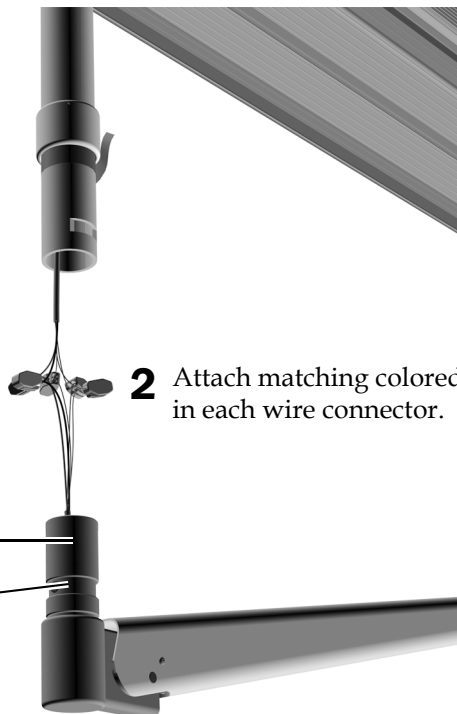
Optional - for Left-Handed Doctors Only



3 Install the rotation stop in the hole over the flexarm.

Task 3.

- 1** Lightly lubricate the hub of the flexarm assembly.
Do not lubricate the groove where the key will sit.



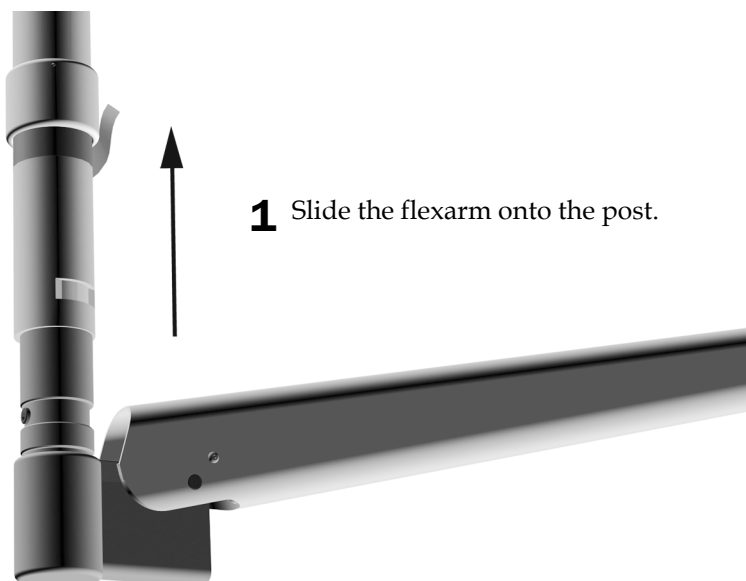
Task 4.



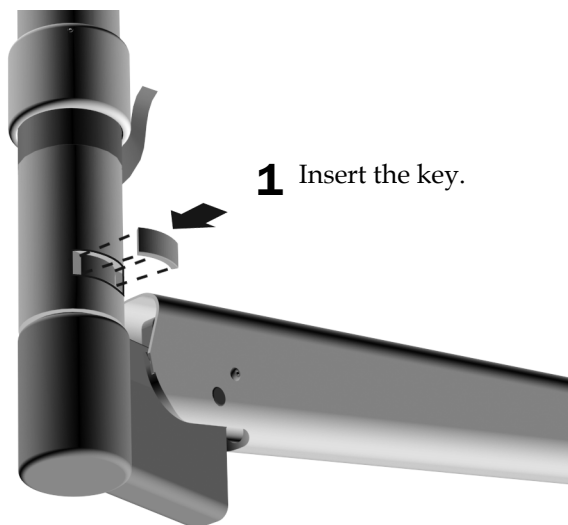
CAUTION Be careful when sliding the flexarm onto the post that the wires and wire connectors do not get caught in the key slot.



NOTE If the flexarm does not slide easily onto the post, check that the rotation stop is flush against the post.

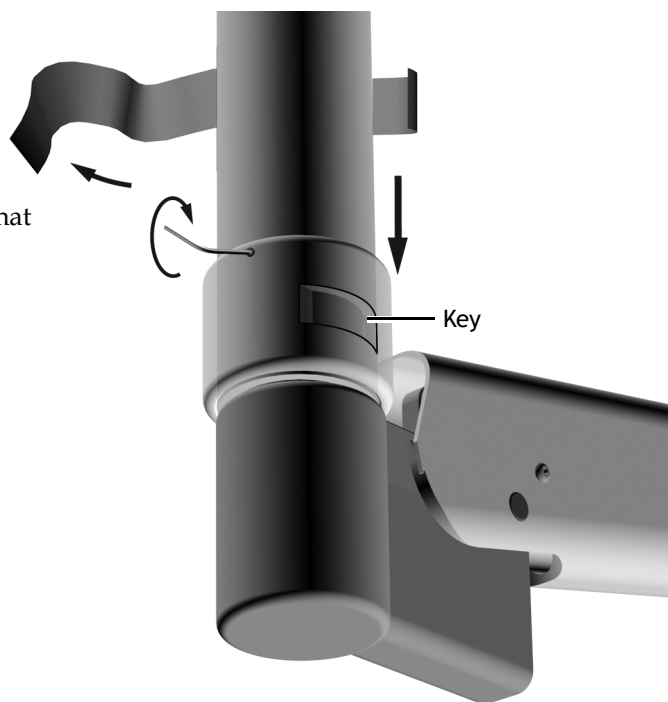


Task 5.



Task 6.

- 1 Remove the tape. Lower the collar over the slot so that the setscrew is not over the key.
- 2 Firmly tighten the setscrew.



7. Move the light along the track to make sure it rolls smoothly. If necessary, clean the track and wheels to remove debris.

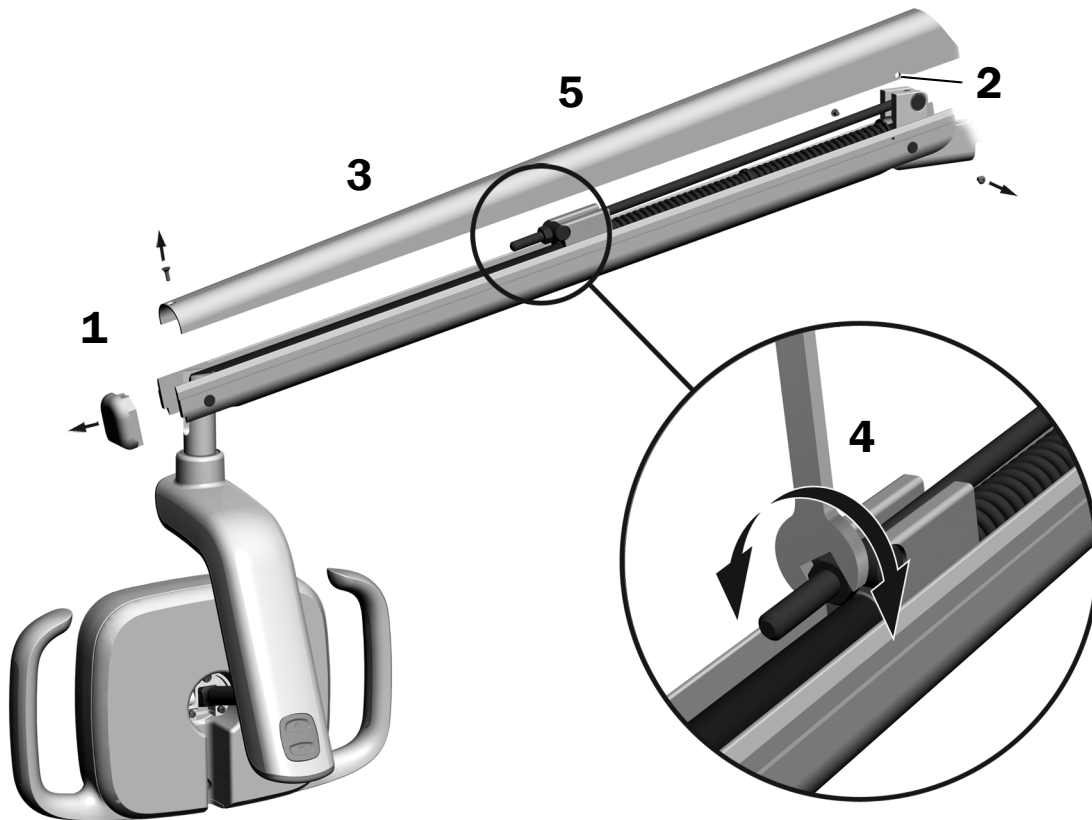
Prepare and Adjust the Light

Adjust the Dental Light Flexarm Counterbalance

Recommended Tools

- Phillips head screwdriver
- 5/64" hex key
- 1/2" combination wrench

1. Remove the end cap.
2. Remove the two screws that secure the cover.
3. Remove the cover.
4. Adjust the nut on the end of the spring.
If the dental light drifts up, turn the nut counterclockwise.
If the dental light drifts down, turn the nut clockwise.
5. Set the cover back onto the flexarm (but do not reattach it yet). Check for drift.
6. Repeat steps 4 and 5 until drift is eliminated.



NOTE An optional travel stop limit kit (p/n 90.1044.00) can be installed to limit the upward and downward motion of the flexarm.

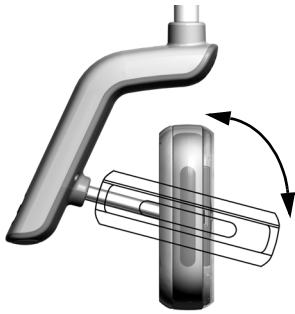
Adjust the Rotation Tension

Test the rotation tension of the light head. If it needs to be adjusted, follow the directions for the type of tension that you will adjust.

Recommended Tool

- 7/64" hex key

Adjust the Vertical Tension



- 1 To adjust the tension, turn the screw. Clockwise increases the tension.



Adjust the Horizontal and Diagonal Tension

Task 1.



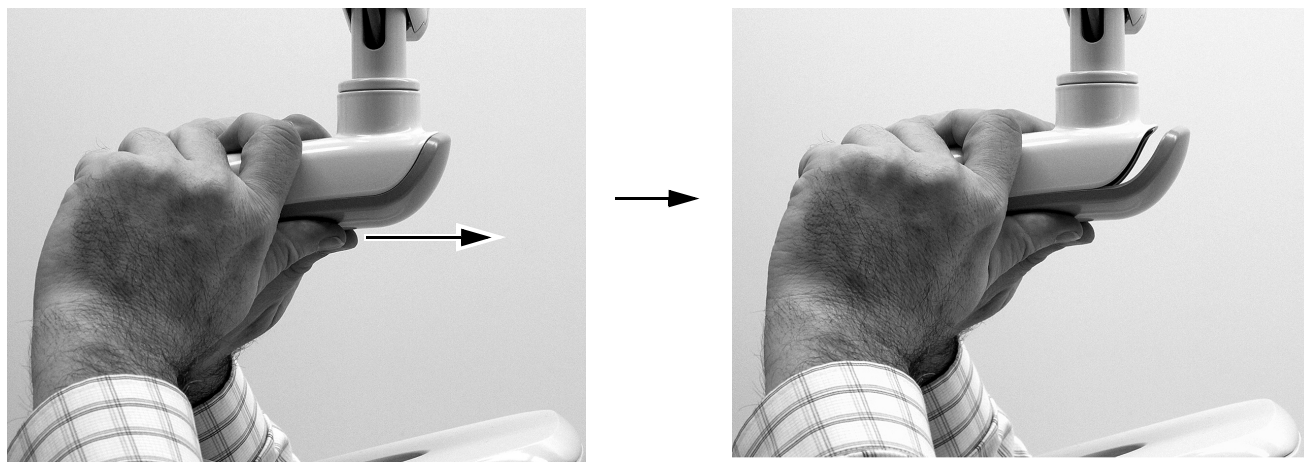
WARNING Shock hazard. When you remove or replace the covers, take care not to damage any wiring or tubing. Verify that the covers are secure after you replace them.

- 1 Remove the two screws securing the driver housing cover.



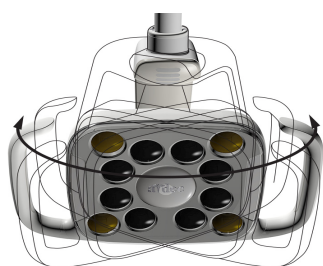
Task 2.

- 1 Grasp the driver housing and use your thumbs to push the driver housing cover away from the driver housing.

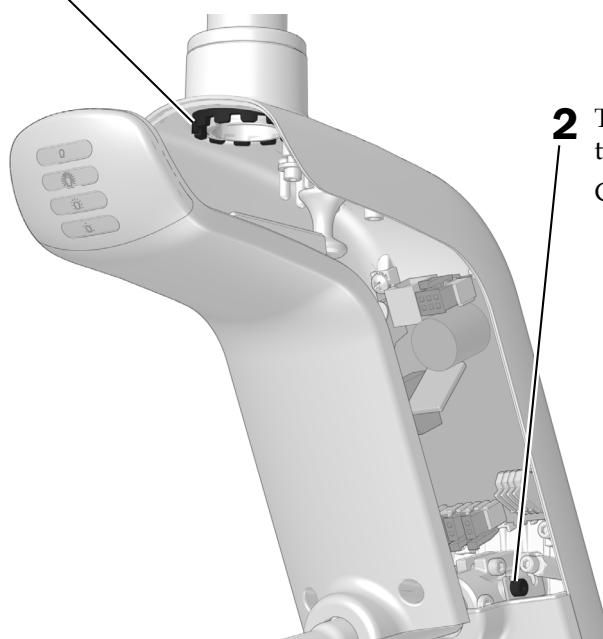


Task 3.

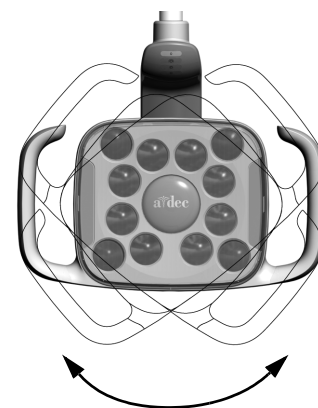
- 1 To adjust horizontal tension, rotate the friction adjustment. Clockwise increases the tension.



577L Shown



- 2 To adjust diagonal tension, turn the setscrew. Clockwise increases the tension.



Test the Light

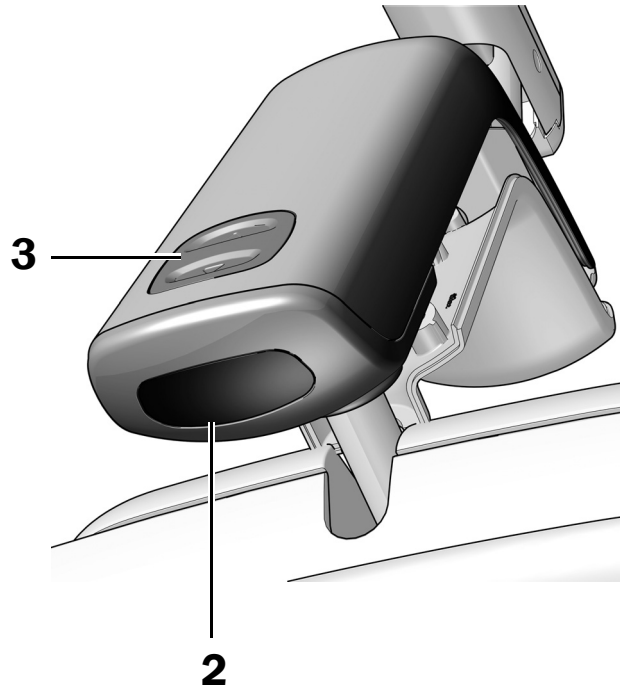
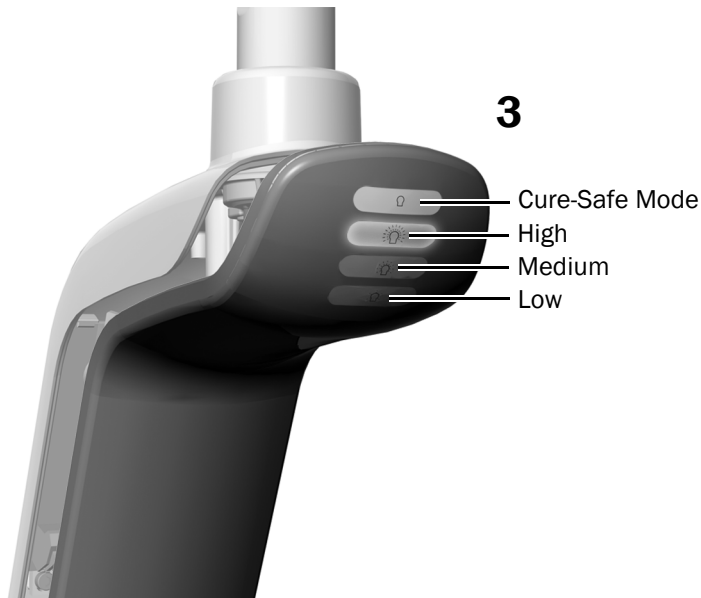
Perform the procedures appropriate to your light:

Test the Light From the A-dec 577L Light Head	18
Test the Light from the A-dec 377L Light Head	19
Test the Light From the Touch Control	19

Test the Light From the A-dec 577L Light Head

Task 1.

1. Turn on the power to the system.
2. Move your hand within 3" (76 mm) of the touchless on/off sensor several times to verify the light switches between off and on.
3. Press the mode button to test the light in each mode and verify that the correct light on the driver housing cover is illuminated.
4. If it doesn't work properly, check the wire connections.

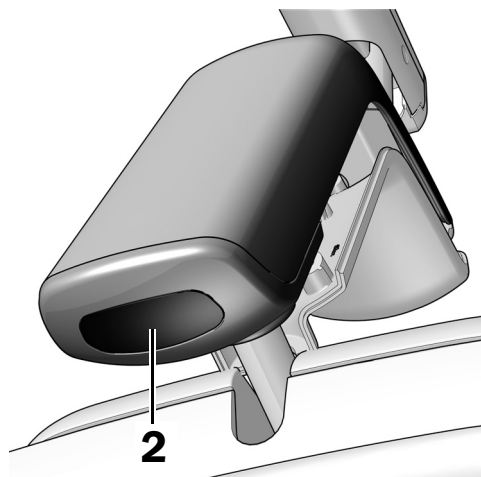


Next Step See "Test the Light From the Touch Control" on page 19.

Test the Light from the A-dec 377L Light Head

Task 1.

1. Turn on the power to the system.
2. Test the light:
 - **Lights with touch control functionality** – Move your hand within 3" (76 mm) of the touchless on/off sensor several times to verify the light switches between off and on.
 - **Lights without touch control functionality** – Move your hand within 3" (76 mm) of the touchless on/off sensor and verify that the light cycles through high-low-off.
3. If it doesn't work properly, check the wiring connections.



Test the Light From the Touch Control

See the section for the type of control interface on your system.



NOTE Touch control symbols and icons are proprietary to A-dec, Inc.

DS7/CP5i/CP5 Touch Controls



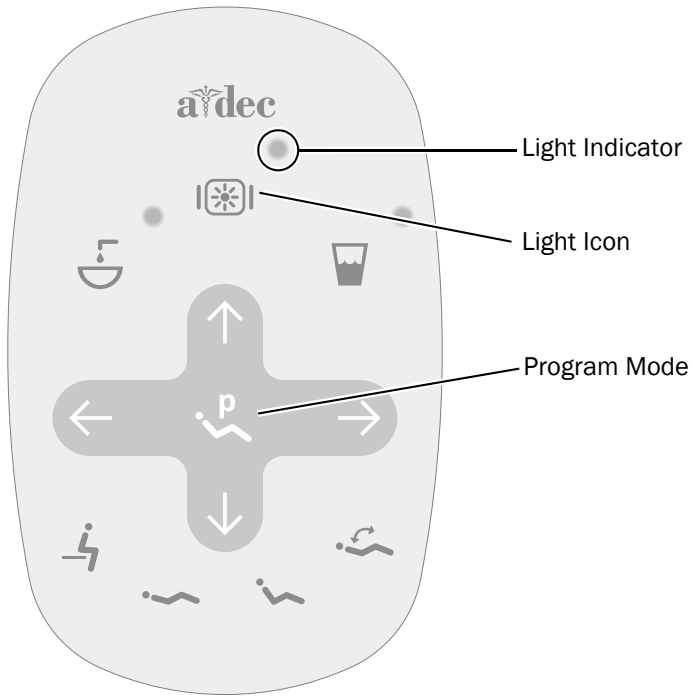
For touchscreen and control pad use, see the *A-dec Touchscreens and Control Pads Instructions for Use* (p/n 86.0857.00) at a-dec.com/touchscreen-manual.




For configuring connectivity features, see the *A-dec+™ Instructions for Use* (p/n 86.1030.00) at A-dec.com/connectivity-manual.






Standard Touchpad



- 1 Turn on the power to the system.
- 2 Repeatedly press and release  to verify the light turns on and toggles between the intensity modes: high, medium, low, and cure-safe mode (577L) or high and composite/low mode (377L).



NOTE When the 377L is in the composite/low mode or the 577L is in cure-safe mode, the light indicator on the touchpad flashes.

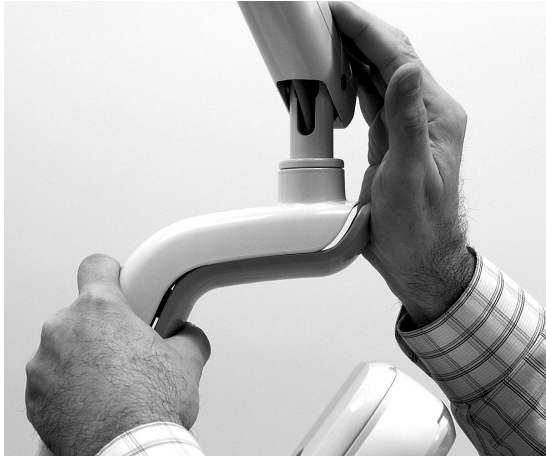
- 3 Press and hold  to turn off the light.
- 4 Press and hold  and  at the same time until the system beeps to disable or enable the auto on/off function.
 - **One beep** indicates this function is off.
 - **Three beeps** indicate this function is on.

Reinstall the Driver Housing Cover



WARNING Shock hazard. When you remove or replace the covers, take care not to damage any wiring or tubing. Verify that the covers are secure after you replace them.

Task 1.



- 1** Position the driver housing cover so the keyhole fits around the post; then push the driver housing cover into position with your palm.



- 2** Use two screws to secure the cover.

Install the Covers

Recommended Tools

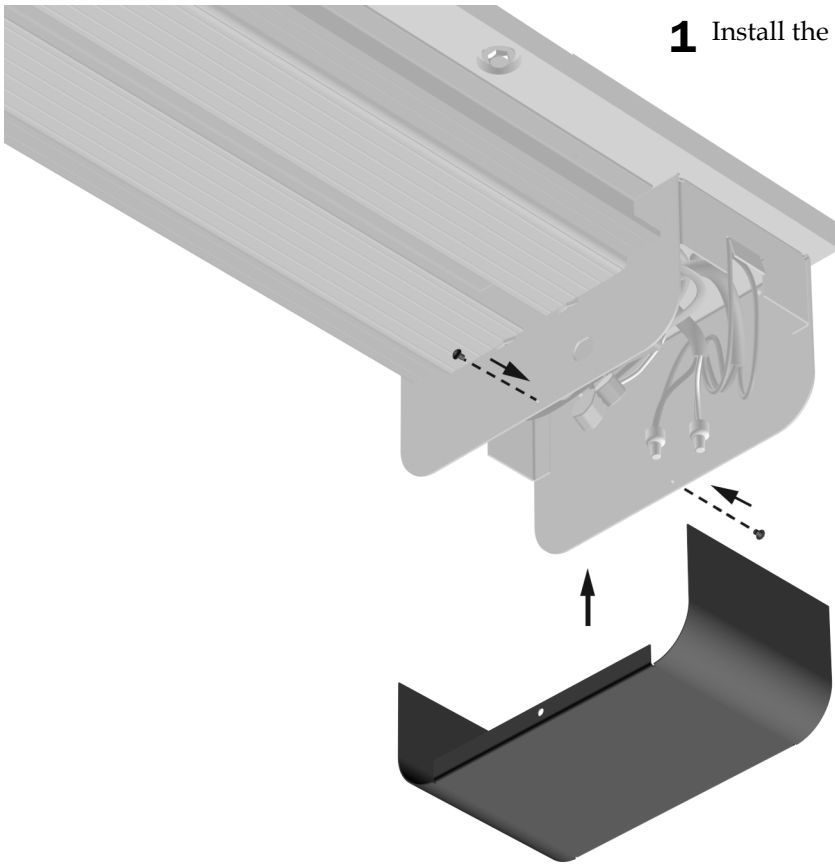
- 5/64" hex key
- Phillips head screwdriver
- Rubber mallet



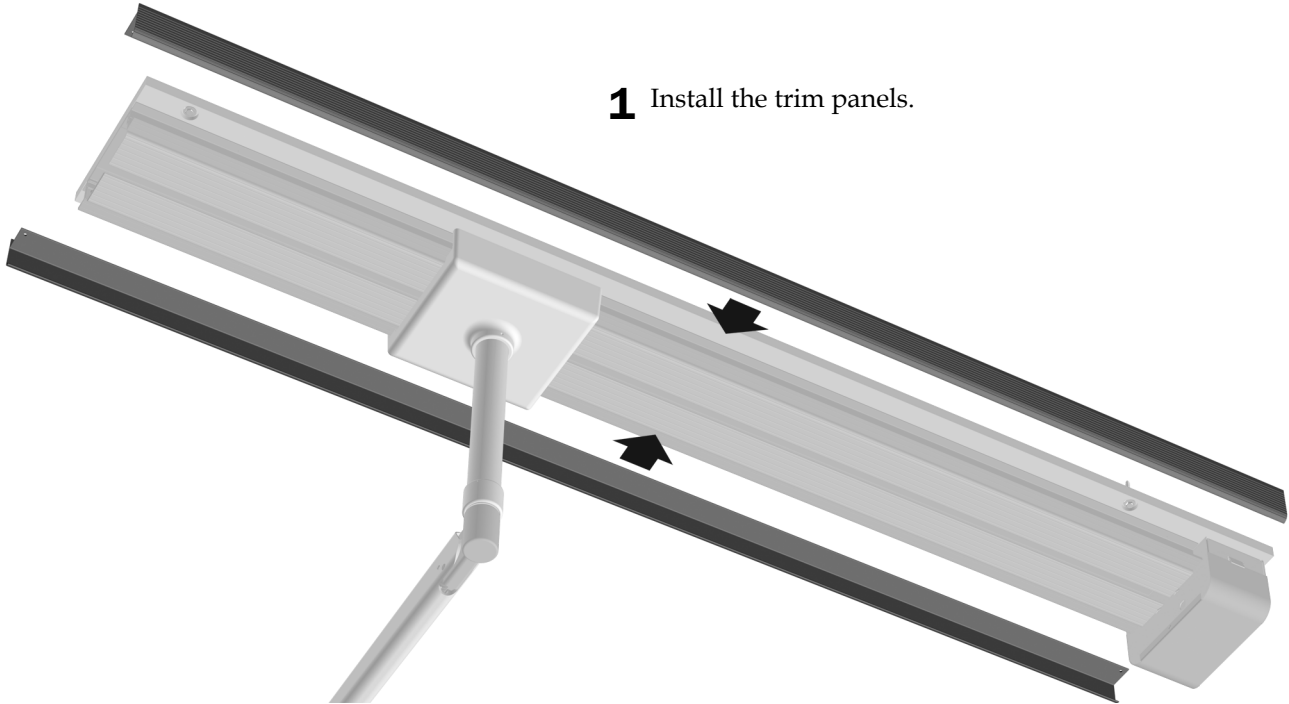
WARNING Shock hazard. When you remove or replace the covers, take care not to damage any wiring or tubing. Verify that the covers are secure after you replace them.

Task 1.

1 Install the power supply cover.



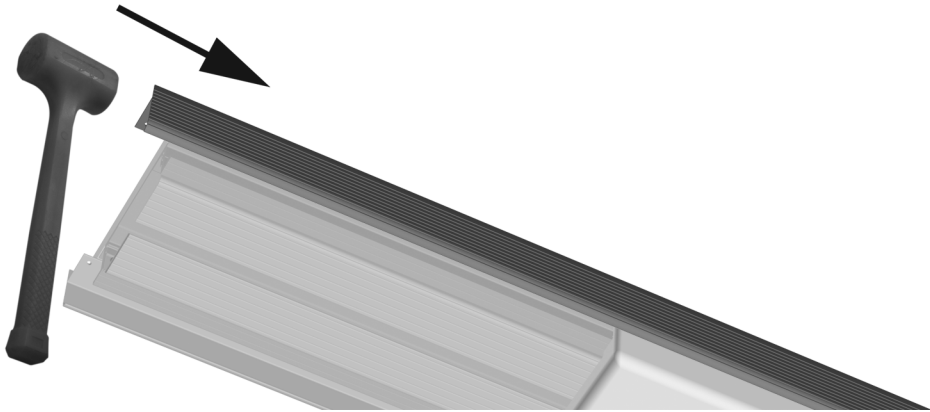
Task 2.



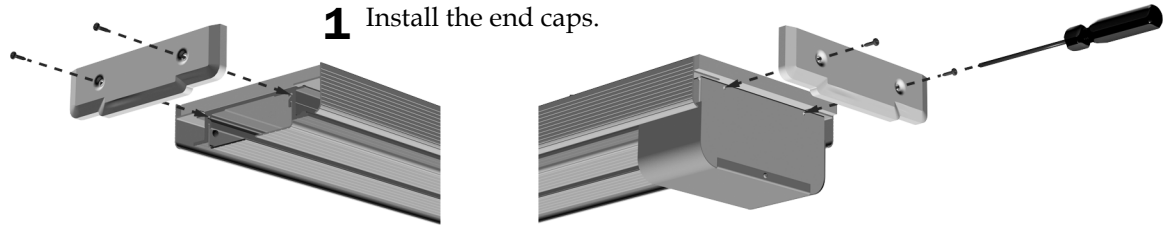
1 Install the trim panels.



NOTE Make sure each trim panel is aligned with the ends of the track. If they need adjustment, lightly tap their ends with a rubber mallet.



Task 3.



1 Install the end caps.

Regulatory Information and Warranty

For required regulatory information and the A-dec warranty, see the *Regulatory Information, Specifications, and Warranty* document (p/n 86.0221.00) available in the Resource Center at www.a-dec.com.



For quick access to this document online, scan, tap, or click this QR code, which points to a-dec.com/regulatory-guide.

All trademarks cited herein are the property of their respective owners.



2601 Crestview Drive
Newberg, OR 97132 USA
Tel: 1.800.547.1883 Within USA/CAN
Tel: +1.503.538.7478 Outside USA/CAN
www.a-dec.com

A-dec, Inc. makes no warranty of any kind with regard to the content in this document including, but not limited to, the implied warranties of merchantability and fitness for a particular purpose.



86.0336.00 Rev G
Date of Issue 2022-11-30
Copyright 2022 A-dec, Inc.
All rights reserved.
IGrphpor22