

Installation Instructions

Performer[®] Dental Light

(Performer Chairs with Performer Cuspidor or Assistant's Package)

You Will Need

- Hex key set

Before Beginning

Install the power supply before beginning the light installation.

Installing the Dental Light

1. Slide the trim ring up the light post so it will not fall off (see A).
2. Remove the cuspidor spouts and plug.
3. Insert the routing tubing (secured to the light connector) through the cuspidor post (see B).
4. Install the light post to the cuspidor/assistant's hous-

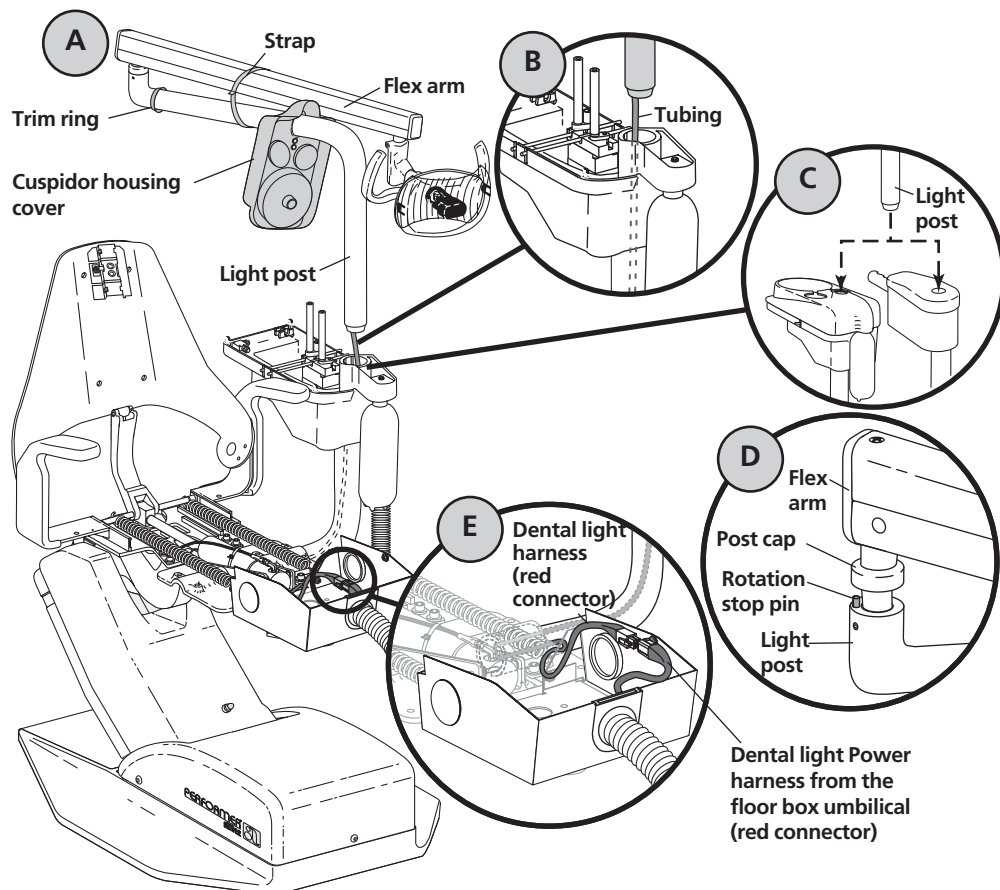
ing (see C).

5. Install the rotation stop pin into the upper light post underneath the post cap (see D). Remove the flex arm strap.
6. Route the dental light harness into the junction box (see E). Connect it to the dental light power harness.

Raising the Chair to Full Base Up

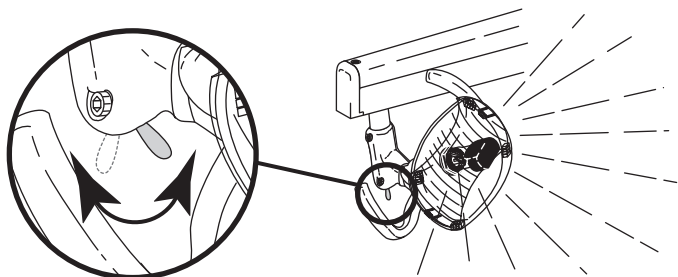
Raise the chair to full base up position.

- Performer III Chair – push the base up button on the footswitch or touch pad.
- Performer I Chair – move the joystick control up toward the chair.



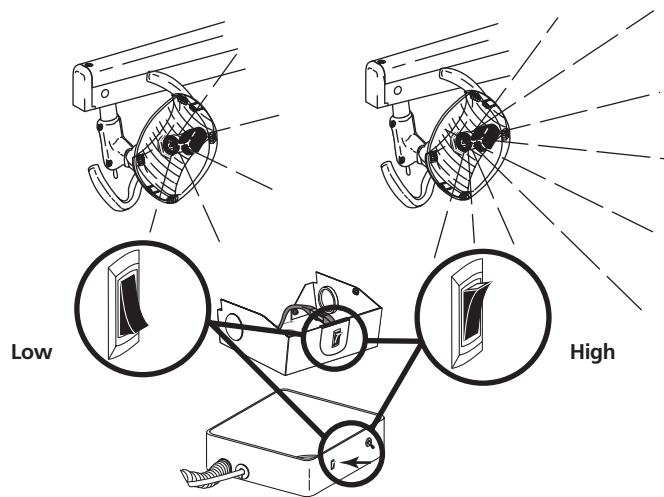
Testing the Dental light

1. Locate the dental light power cord (with red connector) in the floor box. Plug the power cord into the power supply (with matching red connector).
2. Plug in the power supply.
3. Turn the dental light on.



Dental light On/Off toggle

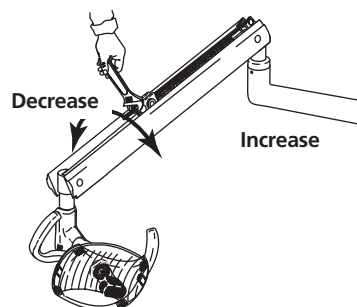
4. Test the dental light intensity switch.
 - Down= high intensity
 - Up = low intensity
5. Raise and lower the dental light head. Adjust the dental light flex arm tension if the light head is difficult to move or is too easily moved.



Dental light intensity switch

To adjust the flex arm tension:

- Remove the flex arm cover. The cover is held in place by three screws.
- Locate the tension adjustment nut.
 - Turn the nut clockwise to increase tension.
 - Turn the nut counterclockwise to decrease tension.

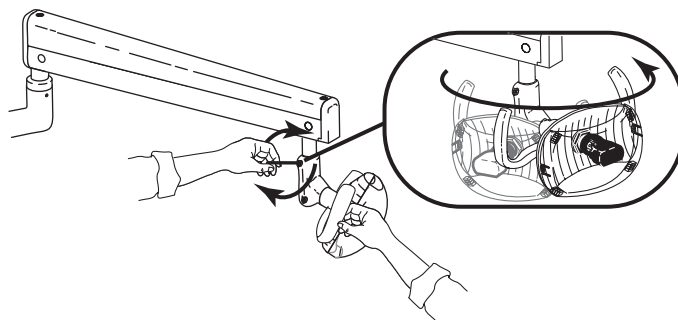


Dental light flex arm tension adjustment

6. Turn the dental light head to the right and the left. Adjust the horizontal tension if necessary.

To adjust the horizontal tension:

- Turn the horizontal tension adjustment screw clockwise to increase tension.
- Turn counterclockwise to decrease tension.

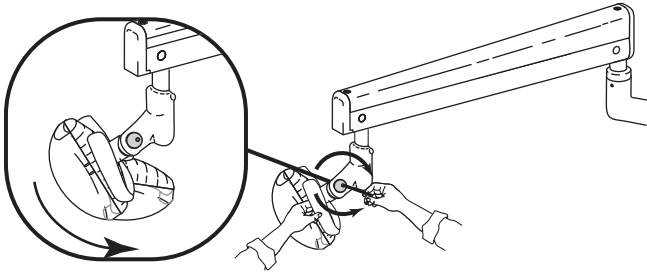


Horizontal pivot adjustment

7. Raise and lower the dental light head at the vertical pivot point. Adjust the vertical tension if necessary.

To adjust the vertical tension:

- Turn the vertical tension adjustment screw clockwise to increase tension.
- Turn counterclockwise to decrease tension.













Vertical pivot adjustment

Before Leaving the Facility

1. Replace the cuspidor spouts and install all covers.
2. Distribute the **Owner's Guide(s)** and instruct the dental team in the operation and maintenance of the equipment.
3. If installation is complete, install the chair upholstery. Refer to the chair installation instructions.

Identification of Symbols

SYMBOL	DESCRIPTION
	Recognized by Underwriters Laboratories Inc. with respect to electric shock, fire and mechanical hazards only in accordance with UL 60601-1 (2601-1) and under mutual recognition agreement with CAN/CSA C22.2, No. 601.1.
	Classified by Underwriters Laboratories Inc. with respect to electric shock, fire and mechanical hazards only in accordance with UL 60601-1 (2601-1) and under mutual recognition agreement with CAN/CSA C22.2, No. 601.1.
	UL listed to UL 61010A-1, BS EN 61010-2-010 and Canadian (CAN/CSA C22.2, No. 1010.1-92) safety standards.
	Conforms to applicable European Directives (refer to Declaration of Conformity).
	Protective earth (ground).
	Functional earth (ground).
	Attention, consult accompanying documents. No user serviceable parts. Attention, line voltage. Only licensed electrician should remove cover.
	Type B applied part.
	Class II equipment.
	Caution: Metal surfaces can be hot during and following the dry cycle.

Electrical Rating

TYPE	SPECIFICATION
Volts:	100/110-120/220-240 VAC
Frequency:	50-60 Hz
Current:	As configured and specified in equipment manual (products labeled 15A or greater require dedicated circuit, identified in distribution panel).

Classification of Equipment (EN-60601-1)

TYPES/MODE	CLASSIFICATION
Types of shock protection	CLASS I EQUIPMENT: Dental chairs, dental lights, and power supplies CLASS II EQUIPMENT: Chair, wall, and cart-mounted delivery systems
Degree of shock protection	TYPE B APPLIED PART: Delivery systems only
Degree of protection against water ingress	ORDINARY EQUIPMENT: All products
Mode of operation	CONTINUOUS OPERATION: All models except dental chairs CONTINUOUS OPERATION WITH INTERMITTENT LOADING: Dental chairs - 5% duty cycle
Flammable gasses:	Not suitable for use in the presence of a flammable anesthetic mixture with air, oxygen, or nitrous oxide, where such gasses may accumulate in concentration (closed space).

Environmental Specifications

TEMPERATURE/HUMIDITY	SPECIFICATION
Storage/Transportation	Temperature: -40C to 70°C (-40°F to 158°F) Relative humidity: 80% for up to 31°C, decreasing linearly to 50% at 40°C.
Operating	Temperature: 10°C to 40°C (40°F to 104°F) Relative humidity: 80% for up to 31°C, decreasing linearly to 50% at 40°C.
Indoor Use:	Altitude up to 2,000M (6,563 ft.), installation category II, pollution degree 2. (UL 61010A-1 and CAN/CSA C22.2, No. 1010.1-92 only)

A-dec Inc.

2601 Crestview Drive
Newberg, OR 97132 USA
Tel: 1-800-547-1883
within USA/Canada
Tel: 1-503-538-7478
outside USA/Canada
www.a-dec.biz

A-dec United Kingdom

A-dec United Kingdom
Austin House, 11 Liberty Way
Nuneaton, Warwickshire CV11 6RZ
England
Tel: 0800 ADECUK (233285) within UK
Tel: 44 24 7635 0901 outside UK
www.a-dec.co.uk

A-dec Australia

41-43 Bowden Street
Alexandria NSW 2015 Australia
Tel: 61 (0)2 9699 4600
www.a-dec.com.au

Printed in the USA.
Copyright © 2006,
All Rights Reserved.