



A-DEC INC.
2601 CRESTVIEW DRIVE
POST OFFICE BOX 111
NEWBERG, OREGON 97132 USA
TELEPHONE (503)-538-9471

DESIGNATED E.U. REPRESENTATIVE:
A-DEC DENTAL U.K., LTD.
AUSTIN HOUSE
11 LIBERTY WAY
ATTLBOROUGH FIELDS INDUSTRIAL ESTATE
NUNEATON, WARWICKSHIRE
ENGLAND CV1 16RZ
PHONE: 0800-ADECUK (233285) WITHIN UK
00 44 24 7635 0901 OUTSIDE UK

A-DEC AUSTRALIA
41-43 BOWDEN STREET
ALEXANDRIA, N.S.W. 2015
AUSTRALIA
TELEPHONE (61) 1.800.225010

CHECK WITH LOCAL CODE AUTHORITIES ABOUT INSTALLATION REQUIREMENTS FOR THIS PRODUCT

INSTALLATION INSTRUCTIONS

WALL-MOUNT WASH STATION

MODEL 5670

YOU WILL NEED:

- Phillips Screwdriver
- Leveling Device
- Drill
- 5/32 inch Hex Key
- Drill Bits:
 - 1/4 inch (6.4 mm)
 - 1/2 inch (13 mm)
- Power Screwdriver With Phillips Bit
- Shims
(provided in hardware kit)

BEFORE BEGINNING THE INSTALLATION

1. The utilities must be installed according to prevailing building codes and the Preference® II wall templates. For framing requirements, pre-installation instructions and load capacities refer to A-dec Publication Number 85.0526.00, 5670 Wall-Mount Wash Station.
2. When a wash station is to be installed on a wall with metal stud construction a stiffener **must** be installed between the studs. See the warning on page 2 and consult your local building contractor.

When installed on a wall with wood stud construction, the framing may need to be reinforced. See the warning on page 4 and consult your local building contractor.

3. If the manual shutoff valves have not been installed, install them now.
4. If a Wall-Mount Upper Storage module will be located above the wash station, install it first.

INSTALLING THE ANCHOR STRIP

5. Mark the horizontal distance (see Figure 1 and A-dec Publication No. 85.0526.00) from the baseline to the end of the cabinet. Mark the location of the other end of the cabinet. Note that the horizontal distance may need to be modified to allow proper alignment of the wash station with wall studs, or to align the wash station with existing plumbing.

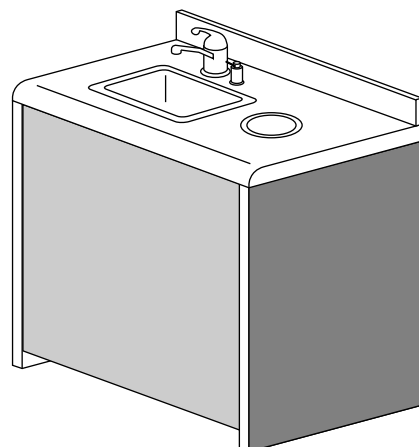


FIGURE 1

METAL STUD CONSTRUCTION

6. Mark the vertical distance on the wall (see *Figure 2* and *A-dec Publication No. 85.0526.00*). This marks the position of the bottom of the anchor strip.



FIGURE 2

7. Mark the location of the stud where the end of the anchor strip will be located. Be sure to mark the **center** of the stud.
8. Locate and mark stud locations again from the floor. Be sure and mark the **center** of the studs.
9. Place the anchor strip against the wall. Center the anchor strip, as shown in *Figure 3*, between the marks made for the ends of the cabinet. Mark each stud location on the anchor strip.

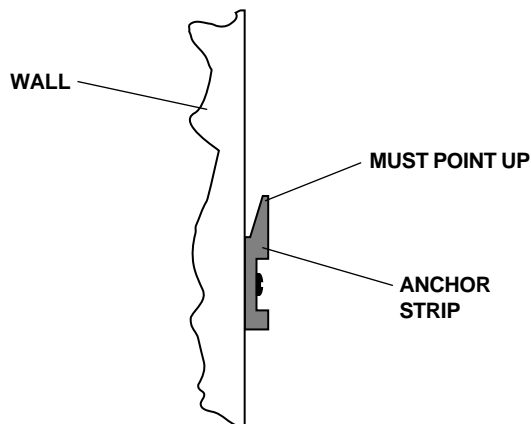


FIGURE 3

If the walls are of metal stud construction, continue with **METAL STUD CONSTRUCTION** on this page.

If the walls are of wood stud construction, refer to **WOOD STUD CONSTRUCTION** on page 4.

WARNING

The wash station anchor strip: *Must have two fasteners securing it to wall studs. Do not put two fasteners in one stud. An additional toggle bolt anchor may be installed between the wall studs into the stiffener.*

If two direct stud attachments cannot be made, the module position must be changed or the wall framing must be reinforced according to prevailing building codes. Consult your local building contractor.

10. Hold the anchor strip against the wall. Drill a 1/4-inch (6.4 mm) diameter hole through the anchor strip, wall and the stud, or stiffener, at one end of the anchor strip.
11. Remove the anchor strip from the wall.
12. Enlarge the 1/4-inch (6.4 mm) hole in the wall and stud to 1/2-inch (13 mm).
13. Fold the metal channel of the toggle bolt anchor flat against the plastic straps (see *Figure 4*).

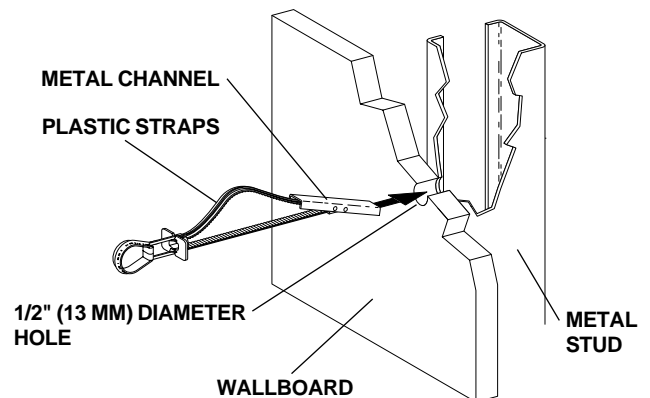


FIGURE 4

14. Push the channel fully through the 1/2-inch (13 mm) hole, wallboard and into stud cavity.
15. Pull on the handle of the toggle bolt anchor, **without bending the plastic straps**, until the channel rests flush on the stud (see *Figure 5*).

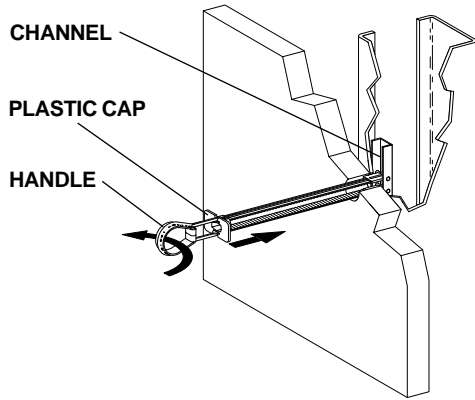


FIGURE 5

16. While keeping the plastic straps tight, slide the plastic cap (see Figure 5) down the plastic straps until it is flush with the wall. Release the handle.
17. Insert your thumb between the plastic straps (see Figure 6). Push the strap side to side, snapping off the straps at the wall.

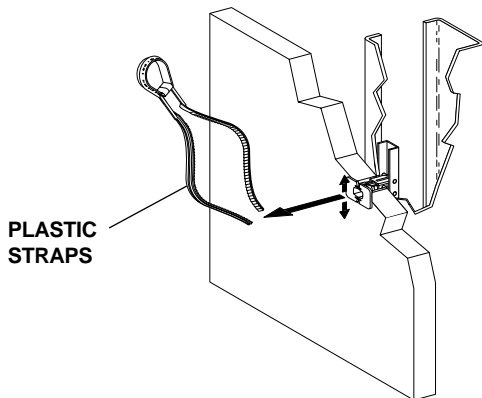


FIGURE 6

18. Place the anchor strip against the wall in the proper location. Install a 1/4-20 fastener (see Figure 9 on page 4), through the anchor strip, into the toggle bolt anchor. **Do not tighten the fastener.**
19. Level the anchor strip (see Figure 7).

20. Drill a 1/4 inch (6.4 mm) diameter hole through the anchor strip, wall, stud or stiffener, where the second toggle bolt anchor will be installed, at the opposite end of the anchor strip from the fastener installed in step 18 (see Figure 7).

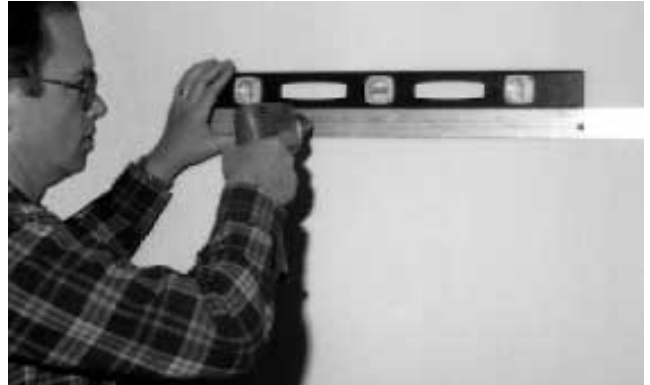


FIGURE 7

21. Use a 1/4-20 fastener from the parts kit. Push it through the anchor strip and part of the way into the wall. **Do not push it completely into the wall.**
22. Drill a 1/4 inch (6.4 mm) diameter hole through the anchor strip, wall and studs or stiffener at each location where any additional toggle bolt anchors will be installed.
23. Remove the 1/4-20 fastener that was pushed part way into the wall.
24. Allow the anchor strip to hang from the first fastener installed and repeat steps 12 through 17 at each location a toggle bolt anchor will be used.
25. Move the anchor strip back into its proper position.
26. Install a 1/4-20 fastener through the anchor strip and into a toggle bolt anchor. **Do not tighten the fastener.**

CAUTION

Shims are provided to prevent the anchor clip from bending to conform to an uneven wall surface when the fasteners are tightened. Failure to prevent the anchor clip from bending may make installation of the wash station impossible.

WOOD STUD CONSTRUCTION

27. Shim the anchor strip as necessary with the “U” shaped shims provided (see Figure 8) to prevent the anchor clip from bending to fit an uneven wall when the fasteners are tightened.

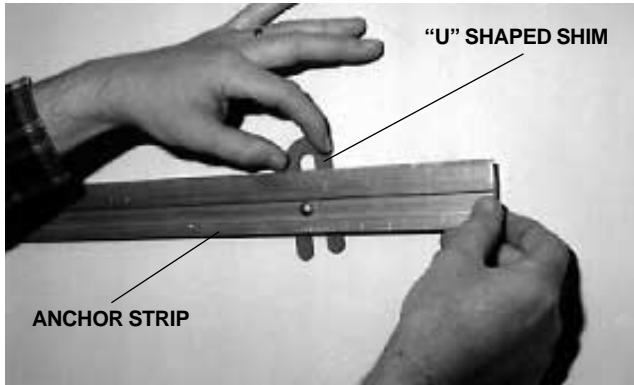


FIGURE 8

28. Tighten the fasteners (see Figure 9).

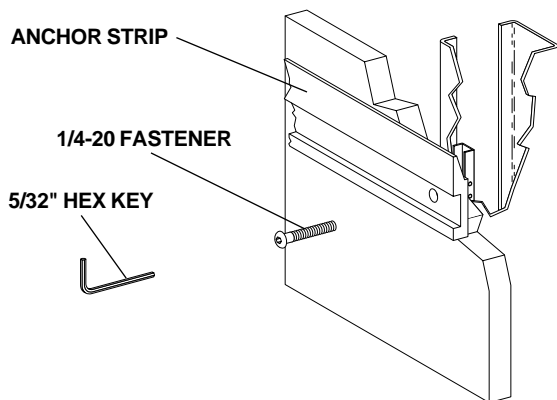


FIGURE 9

29. Turn to page 5 and complete **INSTALLING THE WALL-MOUNT WASH STATION.**

WARNING

The wash station anchor strip: Must have two fasteners securing it to wall studs. Do not put two fasteners in one stud. An additional toggle bolt anchor may be installed between the wall studs into the stiffener.

If the minimum number of direct stud attachments cannot be made, the module position must be changed or the wall framing must be reinforced according to prevailing building codes. Consult your local building contractor.

30. Remove the anchor strip from the wall.
31. Drill 1/4-inch (6.4 mm) diameter holes through the anchor strip at the **center** of the stud locations.
32. If toggle bolt anchor fasteners will be used, mark their locations on the anchor strip.
33. Place the anchor strip against the wall in the proper location. Install a #10 X 3 inch long (#10 X 76.2 mm) fastener near one end of the anchor strip, into the stud. **Do not tighten the fastener.**
34. Level the anchor strip.

If toggle anchor fasteners are required, proceed with Step 35.

If toggle anchor fasteners are *not* required proceed with Step 42.

35. Drill a 1/4-inch (6.4 mm) diameter hole through the anchor strip and wall where a toggle bolt anchor will be installed, at the opposite end of the anchor strip from the fastener installed in Step 33.
36. Use a 1/4-20 fastener from the parts kit. Push it through the anchor strip and part of the way into the wall. **Do not push it completely into the wall.**
37. Drill 1/4-inch (6.4 mm) diameter holes through the anchor strip and wall *only at the locations the toggle bolt anchors must be installed.*

INSTALL THE WALL-MOUNT MODULE

- 38. Remove the 1/4-20 fastener that was pushed part way into the wall.
- 39. Allow the anchor strip to hang from the first fastener installed and repeat steps 12 through 17 at each location a toggle bolt anchor will be used.
- 40. Move the anchor strip back into its proper position.
- 41. Install a 1/4 -20 fastener through the anchor strip and into each toggle bolt anchor. **Do not tighten the fasteners.**
- 42. Install #10 X 3 inch long (#10 X 76.2 mm) fasteners through the anchor strip, into the studs at the proper locations. **Do not tighten the fasteners.**
- 43. Shim the anchor strip with the "U" shaped shims provided (see Figure 8 on page 4) as necessary to prevent the anchor clip from bending to fit an uneven wall when the fasteners are tightened.

CAUTION

Shims are provided to prevent the anchor clip from bending to conform to an uneven wall surface when the fasteners are tightened. Failure to prevent the anchor clip from bending may make installation of the wash station impossible.

- 44. **Tighten the fasteners.**

CAUTION

Avoid personal injury. Use two people to install the module on the anchor clip.

- 1. Remove the door from the cabinet assembly. The door is fitted with quick release hinges (see Figure 10). Hold the door and pull the quick release levers at the rear of the hinges.

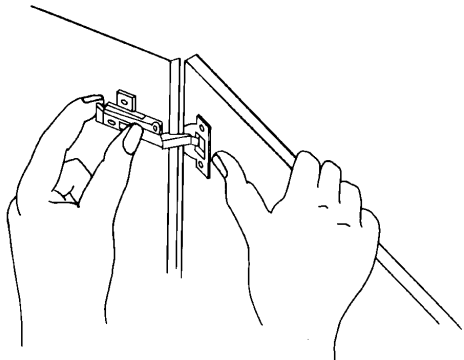


FIGURE 10

- 2. Lift the cabinet assembly and place it against the wall. Slide it down so the mounting anchor clips engage (see Figure 11).

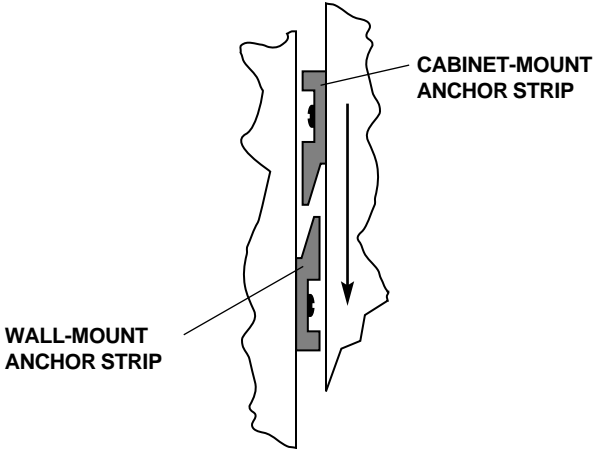


FIGURE 11

- 3. Shim the module as required to assure it is plumb.

4. Install a secondary fastener (see *Figure 12*), two inches above the bottom of the cabinet and through the cabinet back, into each stud. For metal studs, use #9 X 2-1/4 inch long (#9 X 57.2 mm) fasteners. For wood studs, use #10 X 3 inch long (#10 X 76.2 mm) fasteners.



FIGURE 12

5. Using a hammer, tap the screw caps provided over the fastener heads.
6. Seal the joint between the splash guard and wall with the silicon sealant provided.

INSTALL THE UTILITIES

If the optional Foot-Activated Water Dispensing system is to be installed, refer to A-dec Publication Number 85.0454.00 for utility installation instructions.

1. Connect the hot and cold water manual shutoff valves to the faucet.
2. Connect the wash station drain to the office drain in accordance with prevailing local plumbing codes.

ADJUST THE CABINET DOOR

1. Reinstall the door (see *Figure 13*).

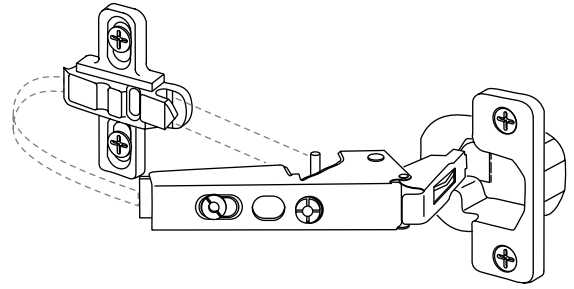


FIGURE 13

The cabinet door may be adjusted for depth, height and side-to-side alignment. Properly adjusted, a door should open and close without binding or rubbing. The door should be evenly spaced in the opening with no excessive gaps. To adjust the door, refer to *Figure 14* and follow steps 2, 3 and 4.

2. **Depth Adjustment:** Loosen screw "A" on both the upper and lower door hinges one full turn. Move the door in or out to the desired position and tighten the screw.
3. **Height Adjustment:** Loosen screws "B" on both the upper and lower door hinges one-quarter turn. Move the door up or down to the desired position and tighten the screws.
4. **Side-to-Side Adjustment:** Turn screw "C" on both the upper and lower door hinges until the door is in the desired position.

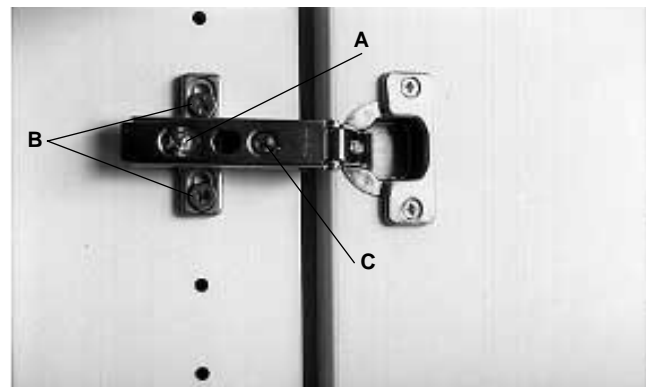


FIGURE 14



Recycle
Conserve
Made with 10% post-consumer fiber

Printed in U.S.A.
Copyright © 1993
All Rights Reserved